



TECHNICAL INFORMATION

防水箱技術數據

PROPERTY / 特性	ABS	PC/ABS	Polycarbonate 聚碳酸酯(PC)
Ingress protection 防護等級 (IEC 60529)	IP 68	IP 68	IP 68
Impact protection 撞擊防護等級	IK 08	IK 08	IK 08 / 10
Color 標準顏色	Light gray / 淺灰 (RAL 7035)	Light gray / 淺灰 (RAL 7035)	Transparency / 無色透明
Temperature 溫度範圍	-40°C ~ + 60°C	-40°C ~ + 80°C	-40°C ~ + 80°C (up to 100°C @ 1 HR)
RTI. Elec. / Imp. / Str.	Max. + 60°C / + 60°C / + 60°C	Max. + 85°C / + 85°C / + 85°C	Max. + 125°C / +115°C / +125°C
Flammability 防火等級	UL 94-HB	UL 94 V-0, 5VB	UL 94 V-0
UV resistance 抗紫外線			UL746C (f1), ΔE6.18@1000h
Salt spray 鹽霧測試(IEC 60068-2-52)			Pass (1344 HR)
Insulation 絕緣	回 完全絕緣	回 完全絕緣	回 完全絕緣
Non-toxic products 無毒產品	Halogen free 無鹵素	Halogen free 無鹵素	Halogen free 無鹵素
Gasket material 密封圈材質	Polyurethane foam / 聚氨酯	Polyurethane foam / 聚氨酯	Polyurethane foam / 聚氨酯

AG		AT		PG		PT	
Body	Cover	Body	Cover	Body	Cover	Body	Cover
ABS	ABS	ABS	PC	PC/ABS	PC/ABS	PC/ABS	PC
Gray	Gray	Gray	Transparent	Gray	Gray	Gray	Transparent



Special features of ES series ES系列特點

- All enclosures are conformed to IP68 of dustproof and waterproof.
 - Plastic plates and metal plates are optional.
 - Enclosures in different sizes apply to various installations, such as terminal boxes, push button boxes and various electronic and industrial devices.
 - There are many mounting supporters in the back of the boxes, which are suitable for different assembly requirements or applications.
 - There are several ways to fix the boxes, such as driving M4 screws on four holes directly, with bracket B40 of stainless 304 or PB30 of plastic.
- 所有開關箱均符合防水防塵的防護等級: IP68
 - 塑膠底板及鐵底板可供選擇
 - ES系列開關箱擁有多種尺寸由小型至中型, 可簡單應用於多方面的安裝例如端子台, 按鈕開關及其他各種電子工業設備的裝置上面
 - 開關箱裡面底部有許多固定孔適合多重應用及組合
 - 固定開關箱的方式可藉由M4攻牙螺絲直接固定於4個孔上或也可運用配件中不鏽鋼材質304的固定架B40或塑膠材質PB30

ES series models

Option 選配

Dimensions W x H x D (Cover included)	AG		AT		PG		PT		Mounting bracket	Mounting plate	
	Body ABS	Cover ABS	Body ABS	Cover PC	Body PC+ABS	Cover PC+ABS	Body PC+ABS	Cover PC		Steel	Plastic
	Gray cover		Transparent cover		Gray cover		Transparent cover			1.6mm	> 3mm
65 x 95 x 55	ES-AG-060905		ES-AT-060905		ES-PG-060905		ES-PT-060905		M0609		
75 x 105 x 55	ES-AG-071005		ES-AT-071005		ES-PG-071005		ES-PT-071005		M0710		
80 x 80 x 60	ES-AG-080806		ES-AT-080806		ES-PG-080806		ES-PT-080806		M0808		
80 x 110 x 50	ES-AG-081105		ES-AT-081105		ES-PG-081105		ES-PT-081105		M0811		
80 x 110 x 70	ES-AG-081107		ES-AT-081107		ES-PG-081107		ES-PT-081107		M0811		
80 x 110 x 85	ES-AG-081108		ES-AT-081108		ES-PG-081108		ES-PT-081108		M0811		
80 x 130 x 70	ES-AG-081307		ES-AT-081307		ES-PG-081307		ES-PT-081307		M0813	0813 PL	
80 x 130 x 85	ES-AG-081308		ES-AT-081308		ES-PG-081308		ES-PT-081308		M0813	0813 PL	
80 x 160 x 55	ES-AG-081605		ES-AT-081605		ES-PG-081605		ES-PT-081605		M0816	0816 PL	
80 x 160 x 85	ES-AG-081608		ES-AT-081608		ES-PG-081608		ES-PT-081608		M0816	0816 PL	
80 x 180 x 70	ES-AG-081807		ES-AT-081807		ES-PG-081807		ES-PT-081807		M0818	0818 PL	
80 x 180 x 85	ES-AG-081808		ES-AT-081808		ES-PG-081808		ES-PT-081808		M0818	0818 PL	
80 x 250 x 70	ES-AG-082507		ES-AT-082507		ES-PG-082507		ES-PT-082507		M0825		
80 x 250 x 85	ES-AG-082508		ES-AT-082508		ES-PG-082508		ES-PT-082508		M0825		
100 x 100 x 75	ES-AG-101007		ES-AT-101007		ES-PG-101007		ES-PT-101007		M1010	1010 PL	
100 x 100 x 100	ES-AG-101010		ES-AT-101010		ES-PG-101010		ES-PT-101010		M1010	1010 PL	
100 x 185 x 70	ES-AG-101807		ES-AT-101807		ES-PG-101807		ES-PT-101807		M1018	1018 PL	
100 x 200 x 70	ES-AG-102007		ES-AT-102007		ES-PG-102007		ES-PT-102007		M1020	1020 PL	
100 x 230 x 70	ES-AG-102307		ES-AT-102307		ES-PG-102307		ES-PT-102307		M1023		
125 x 125 x 75	ES-AG-121207		ES-AT-121207		ES-PG-121207		ES-PT-121207		M1212	1212 PL	
125 x 125 x 100	ES-AG-121210		ES-AT-121210		ES-PG-121210		ES-PT-121210		M1212	1212 PL	
140 x 170 x 95	ES-AG-141709		ES-AT-141709		ES-PG-141709		ES-PT-141709		M1417	1417 PL	
140 x 230 x 95	ES-AG-142309		ES-AT-142309		ES-PG-142309		ES-PT-142309		M1423	1423 PL	
150 x 150 x 75	ES-AG-151507		ES-AT-151507		ES-PG-151507		ES-PT-151507		M1515	1515 PL	
150 x 150 x 100	ES-AG-151510		ES-AT-151510		ES-PG-151510		ES-PT-151510		M1515	1515 PL	
150 x 200 x 75	ES-AG-152007		ES-AT-152007		ES-PG-152007		ES-PT-152007		M1520	1520 PL	
150 x 200 x 100	ES-AG-152010		ES-AT-152010		ES-PG-152010		ES-PT-152010		M1520	1520 PL	
150 x 200 x 130	ES-AG-152013		ES-AT-152013		ES-PG-152013		ES-PT-152013		M1520	1520 PL	
150 x 200 x 160	ES-AG-152016		ES-AT-152016		ES-PG-152016		ES-PT-152016		M1520	1520 PL	
150 x 250 x 100	ES-AG-152510		ES-AT-152510		ES-PG-152510		ES-PT-152510		M1525	1525 PL	
150 x 250 x 130	ES-AG-152513		ES-AT-152513		ES-PG-152513		ES-PT-152513		M1525	1525 PL	
160 x 160 x 70	ES-AG-161607		ES-AT-161607		ES-PG-161607		ES-PT-161607		M1616	1616 PL	
200 x 200 x 100	ES-AG-202010		ES-AT-202010		ES-PG-202010		ES-PT-202010		M2121	2020 PL	
200 x 200 x 130	ES-AG-202013		ES-AT-202013		ES-PG-202013		ES-PT-202013		M2121	2020 PL	
200 x 200 x 160	ES-AG-202016		ES-AT-202016		ES-PG-202016		ES-PT-202016		M2121	2020 PL	

Mounting bracket



■ B40.01



■ PB30.01

Cover Screw



■ CB20



■ CB35



■ CB50

Weatherproof boxes
+ UV Resistant
+ Flame Resistant



**IP68 : Immersion in
1 meter of water for 1 hour**



TECHNICAL INFORMATION 防水箱技術數據

PROPERTY / 特性	Polycarbonate/聚碳酸酯 (PC)	Polycarbonate/聚碳酸酯 (PC)
Ingress protection / 防護等級(IEC 60529)	IP 68	IP 68
Impact protection / 撞擊防護等級	IK 08 / 10	IK 08 / 10
Color / 標準顏色	Light gray / 淺灰 (RAL 7035)	Transparency / 無色透明
Temperature / 溫度範圍	-40°C ~ + 80°C (up to 100°C @ 1 HR)	-40°C ~ + 80°C (up to 100°C @ 1 HR)
RTI. Elec. / Imp. / Str.	Max. + 125°C / +115°C / +125°C	Max. + 125°C / +115°C / +125°C
Flammability / 防火等級	UL 94 V-0	UL 94 V-0
UV resistance / 抗紫外線	UL746C (f1), ΔE9.07@1000h	UL746C (f1), ΔE6.18@1000h
Salt spray / 鹽霧測試(IEC 60068-2-52)	Pass (1344 HR)	Pass (1344 HR)
Insulation / 絕緣	回 完全絕緣	回 完全絕緣
Non-toxic products / 無毒產品	Halogen free 無鹵素	Halogen free 無鹵素
Gasket material / 密封圈材質	Polyurethane foam / 聚氨酯	Polyurethane foam / 聚氨酯

PCG		PCT	
Body	Cover	Body	Cover
PC	PC	PC	PC
Gray	Gray	Gray	Transparent

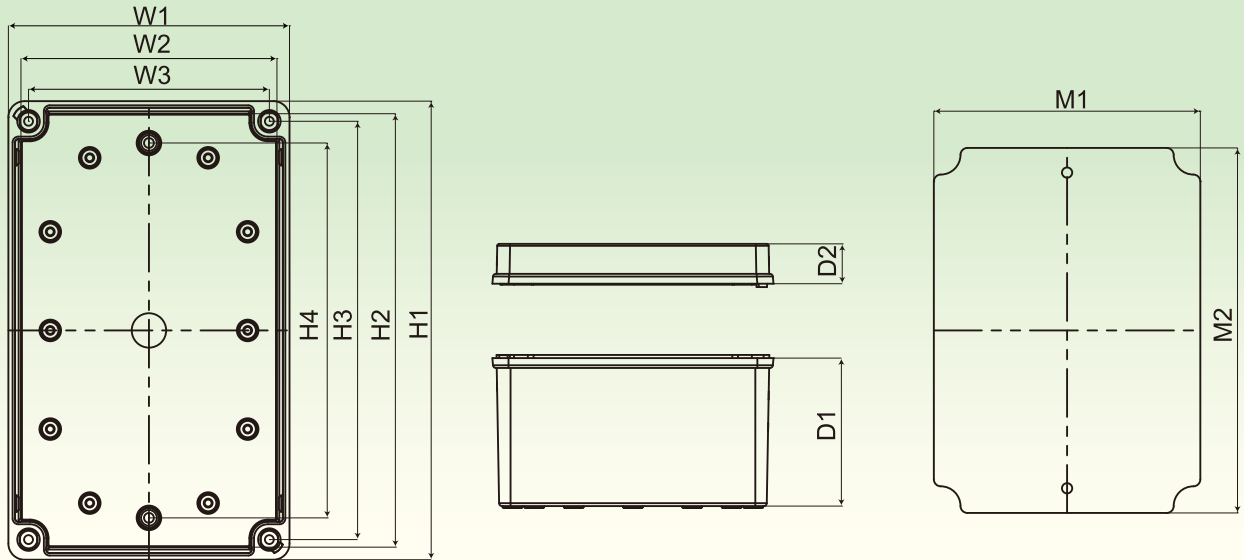


ES series models

Option 選配

Dimensions W x H x D (Cover included)	PCG		PCT		Mounting bracket	Mounting plate	
	Body PC	Cover PC	Body PC	Cover PC		Steel	Plastic
	Gray cover		Transparent cover			1.6mm	> 3mm
65 x 95 x 55	ES-PCG-060905		ES-PCT-060905		B40.01 / PB30.01	M0609	
75 x 105 x 55	ES-PCG-071005		ES-PCT-071005			M0710	
80 x 80 x 60	ES-PCG-080806		ES-PCT-080806			M0808	
80 x 110 x 50	ES-PCG-081105		ES-PCT-081105			M0811	
80 x 110 x 70	ES-PCG-081107		ES-PCT-081107			M0811	
80 x 110 x 85	ES-PCG-081108		ES-PCT-081108			M0811	
80 x 130 x 70	ES-PCG-081307		ES-PCT-081307			M0813	0813 PL
80 x 130 x 85	ES-PCG-081308		ES-PCT-081308			M0813	0813 PL
80 x 160 x 55	ES-PCG-081605		ES-PCT-081605			M0816	0816 PL
80 x 160 x 85	ES-PCG-081608		ES-PCT-081608			M0816	0816 PL
80 x 180 x 70	ES-PCG-081807		ES-PCT-081807			M0818	0818 PL
80 x 180 x 85	ES-PCG-081808		ES-PCT-081808			M0818	0818 PL
80 x 250 x 70	ES-PCG-082507		ES-PCT-082507			M0825	
80 x 250 x 85	ES-PCG-082508		ES-PCT-082508			M0825	
100 x 100 x 75	ES-PCG-101007		ES-PCT-101007			M1010	1010 PL
100 x 100 x 100	ES-PCG-101010		ES-PCT-101010			M1010	1010 PL
100 x 185 x 70	ES-PCG-101807		ES-PCT-101807			M1018	1018 PL
100 x 200 x 70	ES-PCG-102007		ES-PCT-102007			M1020	1020 PL
100 x 230 x 70	ES-PCG-102307		ES-PCT-102307			M1023	
125 x 125 x 75	ES-PCG-121207		ES-PCT-121207			M1212	1212 PL
125 x 125 x 100	ES-PCG-121210		ES-PCT-121210			M1212	1212 PL
125 x 175 x 75	ES-PCG-121707		ES-PCT-121707			M1217	1217 PL
125 x 175 x 100	ES-PCG-121710		ES-PCT-121710			M1217	1217 PL
140 x 170 x 95	ES-PCG-141709		ES-PCT-141709			M1417	1417 PL
140 x 230 x 95	ES-PCG-142309		ES-PCT-142309			M1423	1423 PL
150 x 150 x 75	ES-PCG-151507		ES-PCT-151507			M1515	1515 PL
150 x 150 x 100	ES-PCG-151510		ES-PCT-151510			M1515	1515 PL
150 x 200 x 75	ES-PCG-152007		ES-PCT-152007			M1520	1520 PL
150 x 200 x 100	ES-PCG-152010		ES-PCT-152010			M1520	1520 PL
150 x 200 x 130	ES-PCG-152013		ES-PCT-152013			M1520	1520 PL
150 x 200 x 160	ES-PCG-152016		ES-PCT-152016			M1520	1520 PL
150 x 250 x 100	ES-PCG-152510		ES-PCT-152510			M1525	1525 PL
150 x 250 x 130	ES-PCG-152513		ES-PCT-152513			M1525	1525 PL
160 x 160 x 70	ES-PCG-161607		ES-PCT-161607			M1616	1616 PL
170 x 250 x 75	ES-PCG-172507		ES-PCT-172507			M1725	1725 PL
170 x 250 x 100	ES-PCG-172510		ES-PCT-172510			M1725	1725 PL
200 x 200 x 100	ES-PCG-202010		ES-PCT-202010			M2121	2020 PL
200 x 200 x 130	ES-PCG-202013		ES-PCT-202013			M2121	2020 PL
200 x 200 x 160	ES-PCG-202016		ES-PCT-202016			M2121	2020 PL

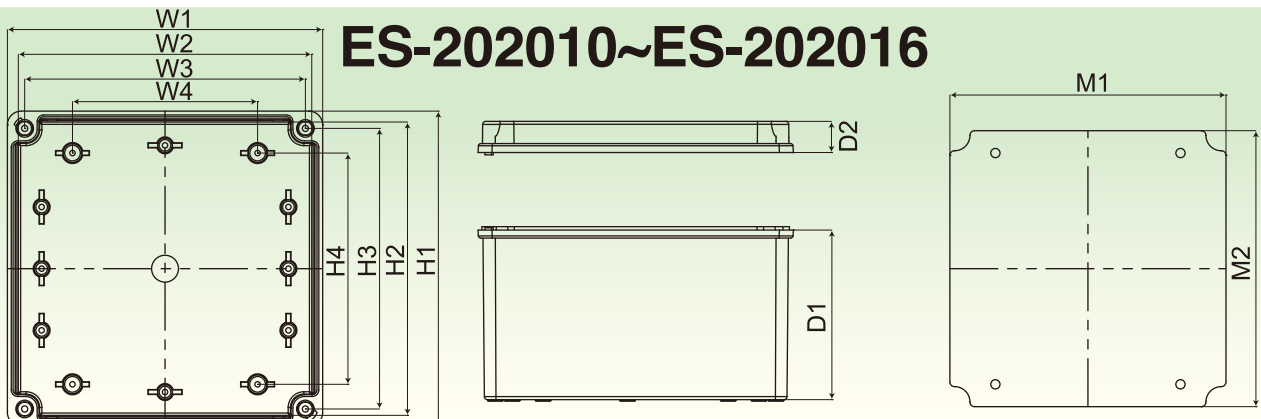
ES series IP68



Dimensions (mm)

Tolerance: ±1.0mm

Model	W x H x D	W1	W2	W3	W4	H1	H2	H3	H4	D1	D2	Steel Plate		Plastic Plate	
												M1	M2	M1	M2
ES-□□-060905	65 x 95 x 55	67.5	57.5	47		97.5	87.5	77	65	40	15.2	54	84		
ES-□□-071005	75 x 105 x 55	77.5	67.5	57		107.5	97.5	87	75	40	15.2	66	93		
ES-□□-080806	80 x 80 x 60	82.5	72.3	62		82.5	72.3	62	50	45	15.2	68	68		
ES-□□-081105	80 x 110 x 50	80.3	70.4	62		110.7	100.8	92	80	30	20	68.5	98.5		
ES-□□-081107	80 x 110 x 70	80.2	67.7	62		110.7	99.9	92	80	50	20	68.5	98.5		
ES-□□-081108	80 x 110 x 85	80.2	67.7	62		110.7	99.9	92	80	50	35	68.5	98.5		
ES-□□-081307	80 x 130 x 70	80.3	67.8	62.8		130.5	119.5	113	99.7	50	20	65	116	68.5	119
ES-□□-081308	80 x 130 x 85	80.3	67.8	62.8		130.5	119.5	113	99.7	50	35	65	116	68.5	119
ES-□□-081605	80 x 160 x 55	84.4	73.9	68		164.2	153.7	148	137	40	15.2	64.9	150.2	68.5	149
ES-□□-081608	80 x 160 x 85	84.4	72.9	68		164.2	152.7	148	137	70	15.2	64.9	150.2	68.5	149
ES-□□-081807	80 x 180 x 70	80.3	70.2	62		180	169.9	161.7	148	50	20	65.8	165.8	68.5	169
ES-□□-081808	80 x 180 x 85	80.3	70.2	62		180	169.9	161.7	148	50	35	65.8	165.8	68.5	169
ES-□□-082507	80 x 250 x 70	80	69.7	62		250	239.7	232	218	50	20.2	65	234.5		
ES-□□-082508	80 x 250 x 85	80	69.7	62		250	239.7	232	218	50	35	65	234.5		
ES-□□-101007	100 x 100 x 75	102.5	92.4	82		102.5	92.4	82	60	55	20	81.7	81.3	86	86
ES-□□-101010	100 x 100 x 100	102.5	91.5	82		102.5	91.5	82	60	80	20	81.7	81.3	86	86
ES-□□-101807	100 x 185 x 70	100	91.9	82		185	176.9	167	138	54	16	79.5	164	80	164
ES-□□-102007	100 x 200 x 70	102.5	92	82		202.5	192	182	158	55	15.2	80	183	80	183
ES-□□-102307	100 x 230 x 70	100	89.2	82		230	219.2	212	184	54	15.4	80	210		
ES-□□-121207	125 x 125 x 75	125.2	113.7	105		125.2	113.7	105	70	55	20.3	101.7	101.4	107	107
ES-□□-121210	125 x 125 x 100	125.2	112.3	105		125.2	112.3	105	70	80	20.3	101.7	101.4	107	107
ES-□□-141709	140 x 170 x 95	143	131.1	122		173	161.1	152	131.3	75	20.2	125.5	155.5	125.5	155.5
ES-□□-142309	140 x 230 x 95	142.4	129.7	122		232.4	219.7	212	190	75	20	121.8	212.7	122	213
ES-□□-151507	150 x 150 x 75	154.4	141.2	132		154.4	141.2	132	110	55	20.2	124.9	124.2	123	123
ES-□□-151510	150 x 150 x 100	154.4	140.8	132		154.4	140.8	132	110	80	20.2	124.9	124.2	123	123
ES-□□-152007	150 x 200 x 75	154.4	141.2	132		204.4	191.2	182	160	55	20.2	136	183	135	185
ES-□□-152010	150 x 200 x 100	154.4	140.8	132		204.4	190.8	182	160	80	20.2	136	183	135	185
ES-□□-152013	150 x 200 x 130	154.4	140.3	132		204.4	190.3	182	160	110	20.2	136	183	135	185
ES-□□-152016	150 x 200 x 160	154.4	140.3	132		204.4	190.3	182	160	110	50.2	136	183	135	185
ES-□□-152510	150 x 250 x 100	150	139.8	131.9		250	239.8	231.9	208	80	20	134	234	135	235
ES-□□-152513	150 x 250 x 130	150	139.8	131.9		250	239.8	231.9	208	80	50	134	234	135	235
ES-□□-161607	160 x 160 x 70	162.5	152	142		162.5	152	142	120	55	15.2	145	145	144	144
ES-□□-202010	200 x 200 x 100	204.4	190.8	182	120	204.4	190.8	182	150	80	20.2	179	179	179	179
ES-□□-202013	200 x 200 x 130	204.4	190.3	182	120	204.4	190.3	182	150	110	20.2	179	179	179	179
ES-□□-202016	200 x 200 x 160	204.4	190.3	182	120	204.4	190.3	182	150	110	50.2	179	179	179	179



Special features of ES series with knockouts ES knockouts系列特點

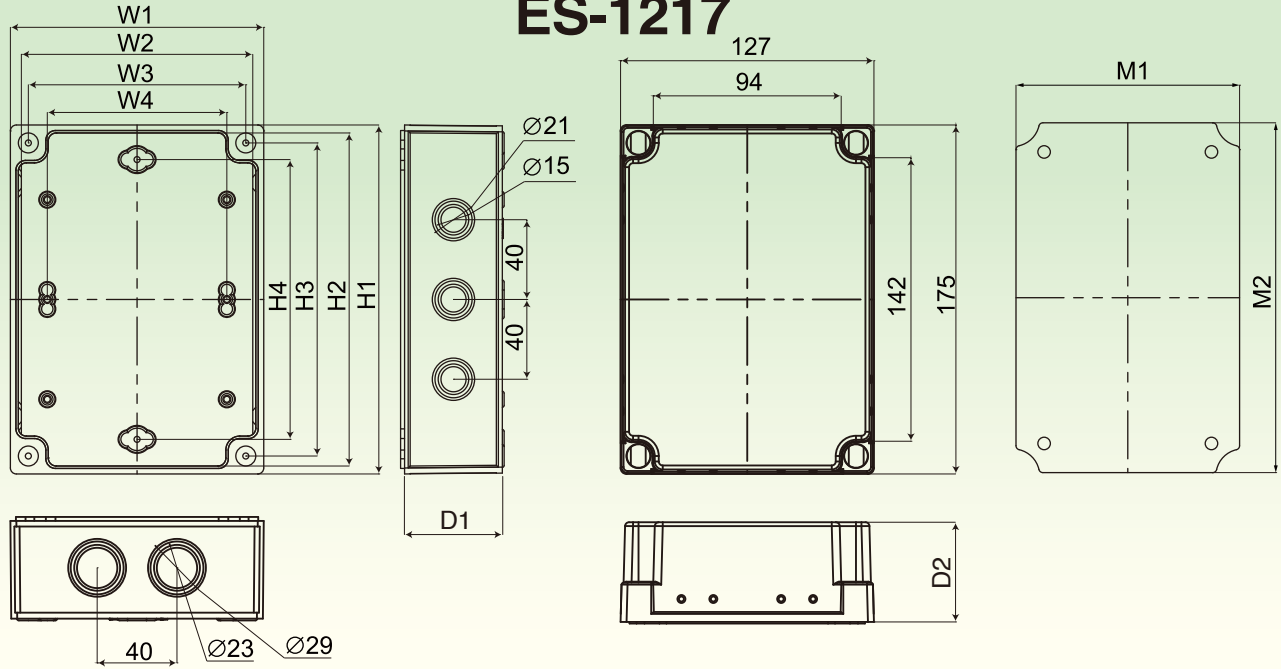
1. All enclosures are conformed to IP68 of dustproof and waterproof.
 2. Plastic plates and metal plates are optional.
 3. Enclosures in different sizes apply to various installations, such as terminal boxes, push button boxes and various electronic and industrial devices.
 4. There are many mounting supporters in the back of the boxes, which are suitable for different assembly requirements or applications.
 5. There are several ways to fix the boxes, such as driving M4 screws on four holes directly, with bracket B40 of stainless 304 or PB30 of plastic.
1. 所有開關箱均符合防水防塵的防護等級: IP68
 2. 塑膠底板及鐵底板可供選擇
 3. 開關箱4面皆設有預留孔以便快速的簡易操作
 4. 開關箱裡面底部有許多固定孔適合多重應用及組合
 5. 固定開關箱的方式可藉由M4攻牙螺絲直接固定於4個孔上或也可運用配件中不鏽鋼材質304的固定架B40或塑膠材質PB30



ES series models Option 選配

Dimensions W x H x D (Cover included)	AG		AT		PG		PT		Mounting bracket	Mounting plate	
	Body ABS	Cover ABS	Body ABS	Cover PC	Body PC+ABS	Cover PC+ABS	Body PC+ABS	Cover PC		Steel	Plastic
	Gray cover		Transparent cover		Gray cover		Transparent cover			1.6mm	> 3mm
125 x 175 x 75	ES-AG-121707O		ES-AT-121707O		ES-PG-121707O		ES-PT-121707O		B40.01 / PB30.01	M1217	1217 PL
125 x 175 x 75	ES-AG-121707		ES-AT-121707		ES-PG-121707		ES-PT-121707	M1217		1217 PL	
125 x 175 x 100	ES-AG-121710O		ES-AT-121710O		ES-PG-121710O		ES-PT-121710O	M1217		1217 PL	
125 x 175 x 100	ES-AG-121710		ES-AT-121710		ES-PG-121710		ES-PT-121710	M1217		1217 PL	
175 x 250 x 75	ES-AG-172507O		ES-AT-172507O		ES-PG-172507O		ES-PT-172507O	M1725		1725 PL	
175 x 250 x 75	ES-AG-172507		ES-AT-172507		ES-PG-172507		ES-PT-172507	M1725		1725 PL	
175 x 250 x 100	ES-AG-172510O		ES-AT-172510O		ES-PG-172510O		ES-PT-172510O	M1725		1725 PL	
175 x 250 x 100	ES-AG-172510		ES-AT-172510		ES-PG-172510		ES-PT-172510	M1725		1725 PL	

ES-1217

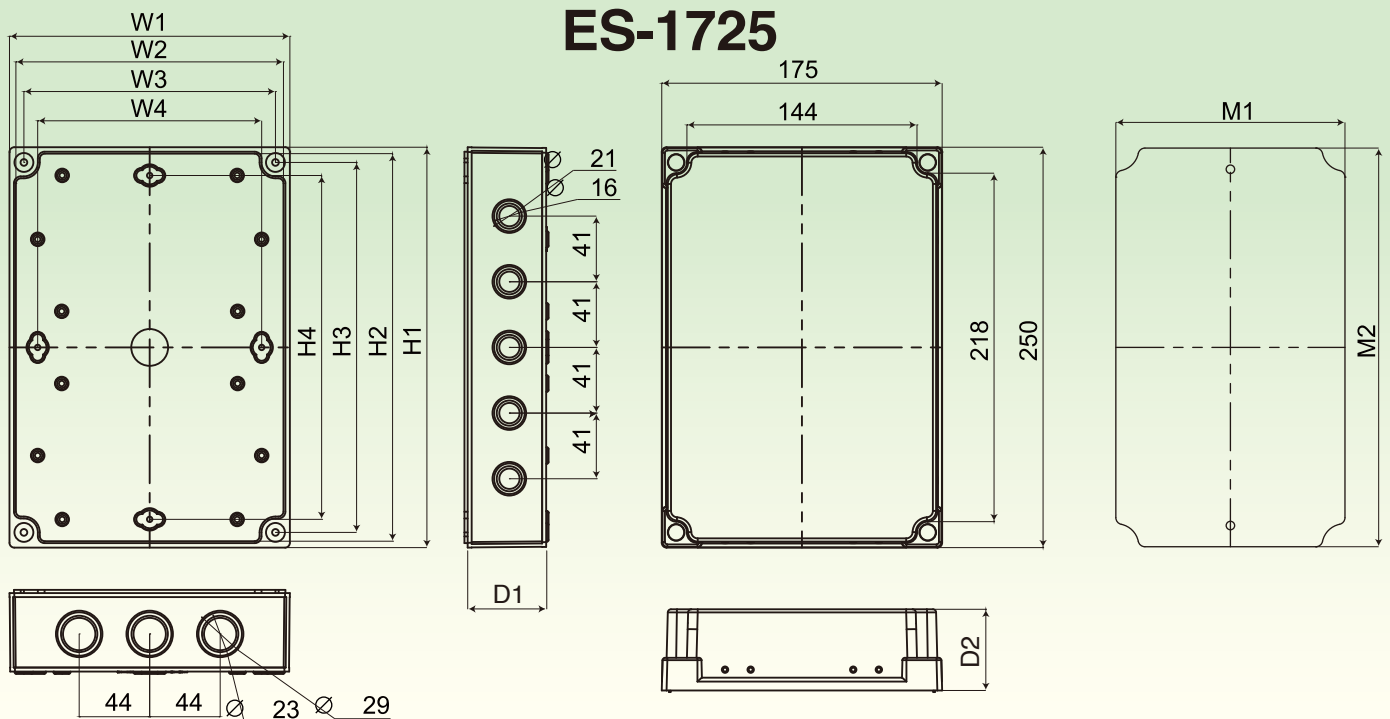


Dimensions (mm)

Tolerance: ±1.0mm

Model	W x H x D	W1	W2	W3	W4	H1	H2	H3	H4	D1	D2	Steel Plate		Plastic Plate	
												M1	M2	M1	M2
ES-□□-121707O	125 x 175 x 75	127	116	109	90	175	167	157	140.3	49	25	100.9	157.6	109	159
ES-□□-121707	125 x 175 x 75	127	116	109	90	175	167	157	140.3	49	25	100.9	157.6	109	159
ES-□□-121710O	125 x 175 x 100	127	116	109	90	175	167	157	140.3	49	50	100.9	157.6	109	159
ES-□□-121710	125 x 175 x 100	127	116	109	90	175	167	157	140.3	49	50	100.9	157.6	109	159

ES-1725



Dimensions (mm)

Tolerance: ±1.0mm

Model	W x H x D	W1	W2	W3	W4	H1	H2	H3	H4	D1	D2	Steel Plate		Plastic Plate	
												M1	M2	M1	M2
ES-□□-172507O	175 x 250 x 75	175	167	157	139.8	250	242	231	214.7	49	25.4	160	235	158	232
ES-□□-172507	175 x 250 x 75	175	167	157	139.8	250	242	231	214.7	49	25.4	160	235	158	232
ES-□□-172510O	175 x 250 x 100	175	167	157	139.8	250	242	231	214.7	49	50.7	160	235	158	232
ES-□□-172510	175 x 250 x 100	175	167	157	139.8	250	242	231	214.7	49	50.7	160	235	158	232

Caution



Driving the cover screws
鎖盒蓋螺絲注意事項

Do not drive the cover screws with the torque over 15 kgf·cm
請勿使用15 kgf·cm以上的扭力鎖盒蓋螺絲

Mounting holes
ES series : M4
ET series : M5



Foolproof
防呆



Cleaning with water only
僅能使用水清潔



Front / 正面



Rear / 背面



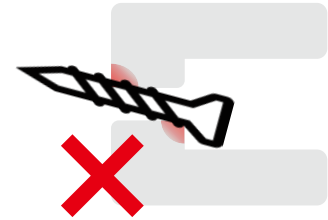
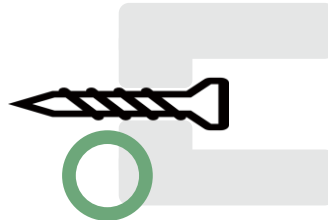
Foolproof
防呆



Wall mounting
固定盒體注意事項



1. No Tapping
嚴禁在箱體的
固定孔上攻牙



2. Make sure screws go straight through
the mounting holes
確保螺絲直直地穿過箱體固定孔，避免應力產生

ACCESSORIES

Mounting bracket for 固定架適用於	Part No. 型號	Description 描述	Packing 包裝數量/包
EN-101507 ~ 172711, EN-212110 ~ 212113	B40.00	B40 x 4 pcs + Screw MT4-10T x 4 pcs B40 x 4 pcs + 螺絲 MT4-10T x 4 pcs	1
	PB30.00	PB30 x 4 pcs + Screw MT4-10T x 4 pcs PB30 x 4 pcs + 螺絲 MT4-10T x 4 pcs	1
EN-192810 ~ 353518	B50.00	B50 x 4 pcs + Screw M5-10 x 4 pcs B50 x 4 pcs + 螺絲 M5-10 x 4 pcs	1
EN-354512 ~ 406023	B60.00	B60 x 4 pcs + Screw M5-10 x 4 pcs B60 x 4 pcs + 螺絲 M5-10 x 4 pcs	1
EN-506018 ~ 507025	B60.01	B60 x 6 pcs + Screw M5-10 x 6 pcs B60 x 6 pcs + 螺絲 M5-10 x 6 pcs	1
ES Series	B40.01	B40 x 4 pcs + Screw MT5-10T x 4 pcs B40 x 4 pcs + 螺絲 MT5-10T x 4 pcs	1
	PB30.01	PB30 x 4 pcs + Screw MT5-10T x 4 pcs PB30 x 4 pcs + 螺絲 MT5-10T x 4 pcs	1



■ B40



■ B50 / B60



■ B40



■ PB30



■ CB20



■ CB35



■ CB50



■ CB28

Cover screw

Part No.	Description	Packing
CB20	For the 20 mm-height covers in ES series	4
CB35	For the 35 mm-height covers in ES series	4
CB50	For the 35 mm-height covers in ES series	4
CB28	For the covers ET-1919 ~ ET-2838	4
	For the covers ET-2856 ~ ET-3856	6

Din-rail screw

Part No.	Description	Packing
MT4-10T	For ES series , EN-1015 ~ 1928, EN-2121	20 PCS
MT5-10T	For EN-2030 ~ 5070, ET-1919 ~ 3856	20 PCS

