



### TECHNICAL INFORMATION

### 防水箱技術數據

PROPERTY / 特性	ABS	PC/ABS	Polycarbonate 聚碳酸酯(PC)
Ingress protection 防護等級 ( IEC 60529 )	IP 68	IP 68	IP 68
Impact protection 撞擊防護等級	IK 08	IK 08	IK 08 / 10
Color 標準顏色	Light gray / 淺灰 ( RAL 7035 )	Light gray / 淺灰 ( RAL 7035 )	Transparency / 無色透明
Temperature 溫度範圍	-40°C ~ + 60°C	-40°C ~ + 80°C	-40°C ~ + 80°C (up to 100°C @ 1 HR)
RTI. Elec. / Imp. / Str.	Max. + 60°C / + 60°C / + 60°C	Max. + 85°C / + 85°C / + 85°C	Max. + 125°C / +115°C / +125°C
Flammability 防火等級	UL 94-HB	UL 94 V-0, 5VB	UL 94 V-0
UV resistance 抗紫外線			UL746C ( f1 ), ΔE5.8@1000h
Salt spray 鹽霧測試(IEC 60068-2-52)			Pass (1344 HR)
Insulation 絕緣	回 完全絕緣	回 完全絕緣	回 完全絕緣
Non-toxic products 無毒產品	Halogen free 無鹵素	Halogen free 無鹵素	Halogen free 無鹵素
Gasket material 密封圈材質	Polyurethane foam / 聚氨酯	Polyurethane foam / 聚氨酯	Polyurethane foam / 聚氨酯

AG		AT		PG		PT	
Body	Cover	Body	Cover	Body	Cover	Body	Cover
ABS	ABS	ABS	PC	PC/ABS	PC/ABS	PC/ABS	PC
Gray	Gray	Gray	Transparent	Gray	Gray	Gray	Transparent



## Special features of ET series ET系列特點

1. All enclosures are conformed to IP68 of dustproof and waterproof.
  2. Plastic plates and metal plates are optional.
  3. Enclosures in different sizes apply to extensive applications, such as housing electrical equipment , junction boxes and fire control boxes in various environments.
  4. It's easy to fix enclosures with brackets of stainless 304 or driving M5 screws on four holes directly.
1. 所有開關箱均符合防水防塵的防護等級: IP68
  2. 塑膠底板及鐵底板可供選擇
  3. 開關箱包含從中型至大型的廣泛尺寸範圍為了有更廣大的應用,例如電子設備的外殼裝置、中繼盒和消防控制盒可於多種環境使用
  4. 不鏽鋼材質304的固定架可使開關箱容易固定安裝,或使用M5攻牙螺絲可直接固定於4個孔上



■ Option 選配

## ET series models

Dimensions W x H x D (Cover included)	AG		AT		PG		PT		Mounting bracket	Mounting plate	
	Body ABS	Cover ABS	Body ABS	Cover PC	Body PC+ABS	Cover PC+ABS	Body PC+ABS	Cover PC		Steel	Plastic
	Gray cover		Transparent cover		Gray cover		Transparent cover			1.6mm	> 3mm
190 x 190 x 130	ET-AG-191913		ET-AT-191913		ET-PG-191913		ET-PT-191913		B50.00	M1919	1919 PL
190 x 280 x 130	ET-AG-192813		ET-AT-192813		ET-PG-192813		ET-PT-192813	M1928		1928 PL	
190 x 280 x 180	ET-AG-192818		ET-AT-192818		ET-PG-192818		ET-PT-192818	M1928		1928 PL	
190 x 380 x 130	ET-AG-193813		ET-AT-193813		ET-PG-193813		ET-PT-193813	M1938		1938 PL	
190 x 380 x 180	ET-AG-193818		ET-AT-193818		ET-PG-193818		ET-PT-193818	M1938		1938 PL	
280 x 280 x 130	ET-AG-282813		ET-AT-282813		ET-PG-282813		ET-PT-282813	M2828		2828 PL	
280 x 340 x 130	ET-AG-283413		ET-AT-283413		ET-PG-283413		ET-PT-283413	M2834		2834 PL	
280 x 380 x 130	ET-AG-283813		ET-AT-283813		ET-PG-283813		ET-PT-283813	M2838		2838 PL	
280 x 380 x 180	ET-AG-283818		ET-AT-283818		ET-PG-283818		ET-PT-283818	M2838		2838 PL	
280 x 560 x 130	ET-AG-285613		ET-AT-285613		ET-PG-285613		ET-PT-285613	B60.00		M2856	2828 PLx2
380 x 560 x 180	ET-AG-385618		ET-AT-385618		ET-PG-385618		ET-PT-385618		M3856	2838 PLx2	



### Cover Screw



■ CB28

### Mounting bracket



■ B60



■ B50

# Weatherproof enclosures

**+ UV Resistant**

**+ Flame Resistant**



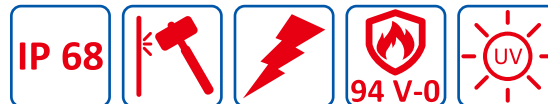
**IP68 : Immersion in 1 meter of water for 1 hour**

## TECHNICAL INFORMATION

### 防水箱技術數據

PROPERTY / 特性	Polycarbonate/聚碳酸酯 (PC)	Polycarbonate/聚碳酸酯 (PC)
Ingress protection / 防護等級( IEC 60529 )	IP 68	IP 68
Impact protection / 撞擊防護等級	IK 08 / 10	IK 08 / 10
Color / 標準顏色	Light gray / 淺灰 ( RAL 7035 )	Transparency / 無色透明
Temperature / 溫度範圍	-40°C ~ + 80°C (up to 100°C @ 1 HR)	-40°C ~ + 80°C (up to 100°C @ 1 HR)
RTI. Elec. / Imp. / Str.	Max. + 125°C / +115°C / +125°C	Max. + 125°C / +115°C / +125°C
Flammability / 防火等級	UL 94 V-0	UL 94 V-0
UV resistance / 抗紫外線	UL746C ( f1 ) , ΔE9.07@1000h	UL746C ( f1 ) , ΔE5.8@1000h
Salt spray / 鹽霧測試(IEC 60068-2-52)	Pass (1344 HR)	Pass (1344 HR)
Insulation / 絕緣	☐ 完全絕緣	☐ 完全絕緣
Non-toxic products / 無毒產品	Halogen free 無鹵素	Halogen free 無鹵素
Gasket material / 密封圈材質	Polyurethane foam / 聚氨酯	Polyurethane foam / 聚氨酯

PCG		PCT	
Body	Cover	Body	Cover
PC	PC	PC	PC
Gray	Gray	Gray	Transparent

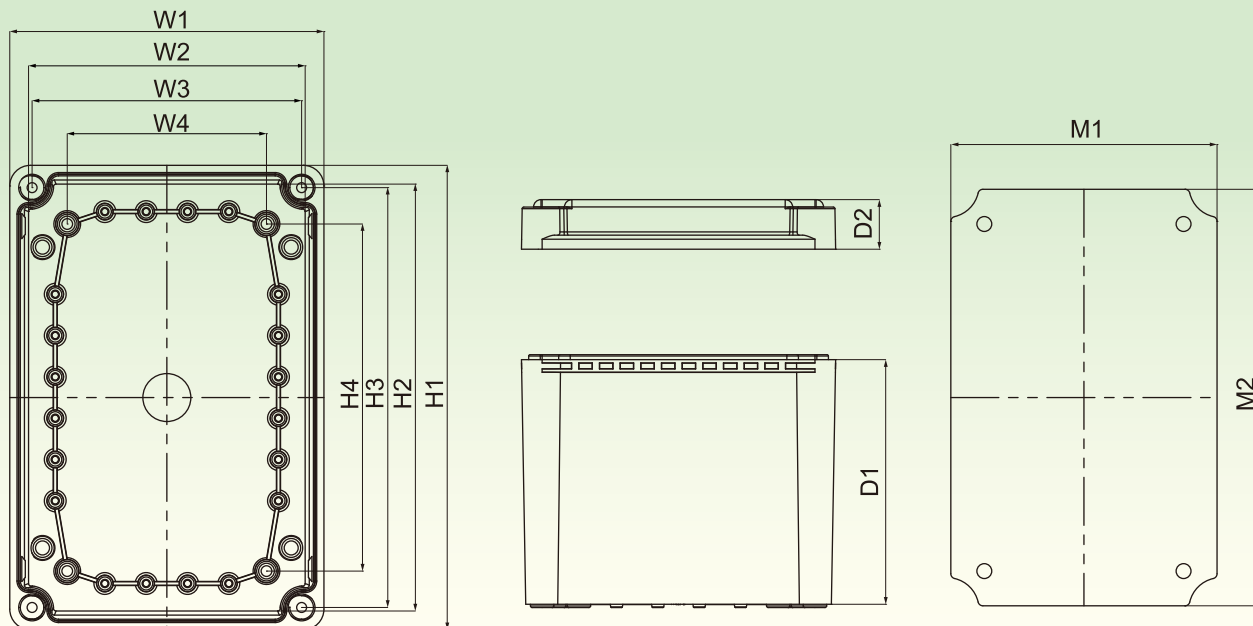


■ Option 選配

## ET series models

Dimensions W x H x D (Cover included)	PCG		PCT		Mounting bracket	Mounting plate	
	Body PC	Cover PC	Body PC	Cover PC		Steel	Plastic
	Gray cover		Transparent cover			1.6mm	> 3mm
190 x 190 x 130	ET-PCG-191913		ET-PCT-191913		B50.00	M1919	1919 PL
190 x 280 x 130	ET-PCG-192813		ET-PCT-192813			M1928	1928 PL
190 x 280 x 180	ET-PCG-192818		ET-PCT-192818			M1928	1928 PL
190 x 380 x 130	ET-PCG-193813		ET-PCT-193813			M1938	1938 PL
190 x 380 x 180	ET-PCG-193818		ET-PCT-193818			M1938	1938 PL
280 x 280 x 130	ET-PCG-282813		ET-PCT-282813			M2828	2828 PL
280 x 340 x 130	ET-PCG-283413		ET-PCT-283413			M2834	2834 PL
280 x 380 x 130	ET-PCG-283813		ET-PCT-283813			M2838	2838 PL
280 x 380 x 180	ET-PCG-283818		ET-PCT-283818			M2838	2838 PL
280 x 560 x 130	ET-PCG-285613		ET-PCT-285613			B60.00	M2856
380 x 560 x 180	ET-PCG-385618		ET-PCT-385618		M3856		2838 PL x 2

# ET series IP68

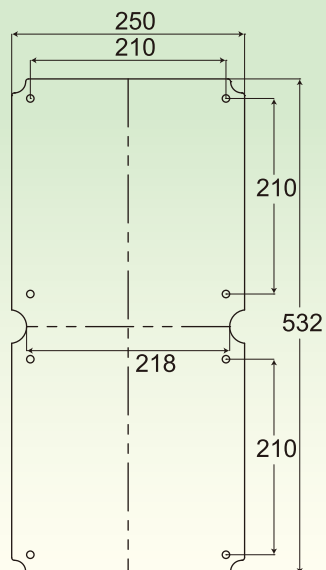


## Dimensions (mm)

Tolerance:  $\pm 1.0\text{mm}$

Model	W x H x D	W1	W2	W3	W4	H1	H2	H3	H4	D1	D2	Steel Plate		Plastic Plate	
												M1	M2	M1	M2
ET-□□-191913	190 x 190 x 130	190	170	165	120	190	170	165	120	98	30	161	161	159	159
ET-□□-192813	190 x 280 x 130	190	167	165	120.5	281	258	256	210	98	30	161	251.5	161	252
ET-□□-192818	190 x 280 x 180	190	165.3	165	120.5	281	256.3	256	210	148	30	161	251.5	161	252
ET-□□-193813	190 x 380 x 130	190	167.5	165	120	380	357.5	355	310	100	30	161	353.5	159	348
ET-□□-193818	190 x 380 x 180	190	165.8	165	120	380	355.8	355	310	150	30	161	353.5	159	348
ET-□□-282813	280 x 280 x 130	280	257.5	255	210	280	257.5	255	210	100	30	251	251.5	249	249
ET-□□-283413	280 x 340 x 130	280	257.5	255	210	340	317.5	315	270	100	30	251.2	312.5	249	309
ET-□□-283813	280 x 380 x 130	280	256	255	210.2	380	356	355	310	98	30	252	353.3	248	347.5
ET-□□-283818	280 x 380 x 180	280	254.3	255	210.2	380	354.3	355	310	148	30	252	353.3	248	347.5
ET-□□-285613	280 x 560 x 130	280	255.5	255	210	560	535.5	535	490	100	30	250	532		
ET-□□-385618	380 x 560 x 180	380	353.8	355	310	560	533.8	535	490	150	30	345	533		

### Steel plate M2856



### Steel plate M3856

