



Management System
ISO 9001:2015



www.tuv.com
ID 9108658447

e-tan[®]

MAXPRO ENCLOSURE SYSTEM



IP 68



2021.06

www.e-tan.com.tw



MAXPRO ENCLOSURE SYSTEM (MP series IP68)

Special features of MP series MP系列特點

1. All enclosures are conformed to IP68 which is protected from immersion in 1 meter of water for an hour.
2. There are 2 types of IP68 cam locks, PBL and PKL.
3. Various devices can be installed in enclosures.
4. There are opaque and transparent covers.
5. Plastic plates and metal plates are optional.
6. It's easy to fix enclosures with brackets of stainless 304.
7. **We provide enclosures for special environments, such as coast, sea, beach or water treatment on request.**

1. 開關箱防水等級 IP 68，放入水下 1 米 1 小時
2. 開關箱鎖頭可以使用2種鎖頭，PBL 和 PKL，IP68 防水等級
3. 開關箱內部可以多種變化裝載電氣元件
4. 開關箱的門分透明跟不透明
5. 安裝底板可選用鐵底板或塑料萬用板
6. 不鏽鋼材質304的固定架可讓開關箱容易固定與安裝
7. **如您有需求，我們可提供適用於特殊環境之開關箱，例如臨近海邊、海灘、海上(太陽能)、船上或水處理場所**



TECHNICAL INFORMATION

防水箱技術數據

ABG/ABT



PROPERTY / 特性	ABS	Polycarbonate (PC)
Standard Color / 標準顏色	Light gray / 淺灰 (RAL 7035)	Transparency / 無色透明
Ingress Protection / 防護等級	IP 68 (IEC60529)	IP 68 (IEC60529)
Impact Protection / 沖擊防護等級	IK 08	IK 08 / 10
Protection Class / 絕緣等級	回 / 完全絕緣	回 / 完全絕緣
Temperature Range / 溫度範圍	-40°C ~ + 60°C	-40°C ~ + 80°C (up to 100°C @ 1 HR)
RTI. Elec. / Imp. / Str.	Max. + 60°C / + 60°C / + 60°C	Max. + 125°C / + 115°C / + 125°C
Flammability Rating / 防火等級	UL 94-HB	UL 94-V0
UV Resistance / 抗UV		UL746C (f1), ΔE5.8@1000h
Non Toxic Products / 無毒產品	Halogen free / 無鹵素	Halogen free / 無鹵素
Standard Gasket Material / 密封圈材質	Polyurethane / foam	Polyurethane / foam

MP OUTDOOR SERIES IP68

UV Resistant / 抗UV
Flame Resistant / 阻燃



We provide anti-corrosion enclosures against rust caused by salt on request.

另外可提特殊抗鹽害開關箱,使開關箱整體(含金屬零件)能抵抗高鹽分環境的鏽蝕(IEC 60068-2-52)



TECHNICAL INFORMATION 防水箱技術數據

PCG/PCT

PROPERTY / 特性	Polycarbonate (PC)	Polycarbonate (PC)
Standard Color / 標準顏色	Light gray / 淺灰 (RAL 7035)	Transparency / 無色透明
Ingress Protection / 防護等級	IP 68 (IEC60529)	IP 68 (IEC60529)
Impact Protection / 沖擊防護等級	IK 08 / 10	IK 08 / 10
Protection Class / 絕緣等級	回 / 完全絕緣	回 / 完全絕緣
Temperature Range / 溫度範圍	-40°C ~ + 80°C (up to 100°C @ 1 HR)	-40°C ~ + 80°C (up to 100°C @ 1 HR)
RTI. Elec. / Imp. / Str.	Max. + 125°C / + 115°C / + 125°C	Max. + 125°C / + 115°C / + 125°C
Flammability Rating / 防火等級	UL 94-V0	UL 94-V0
UV Resistance / 抗UV	UL746C (f1), ΔE9.07@1000h	UL746C (f1), ΔE5.8@1000h
Non Toxic Products / 無毒產品	Halogen free / 無鹵素	Halogen free / 無鹵素
Standard Gasket Material / 密封圈材質	Polyurethane / foam	Polyurethane / foam

MAXPRO ENCLOSURE SYSTEM



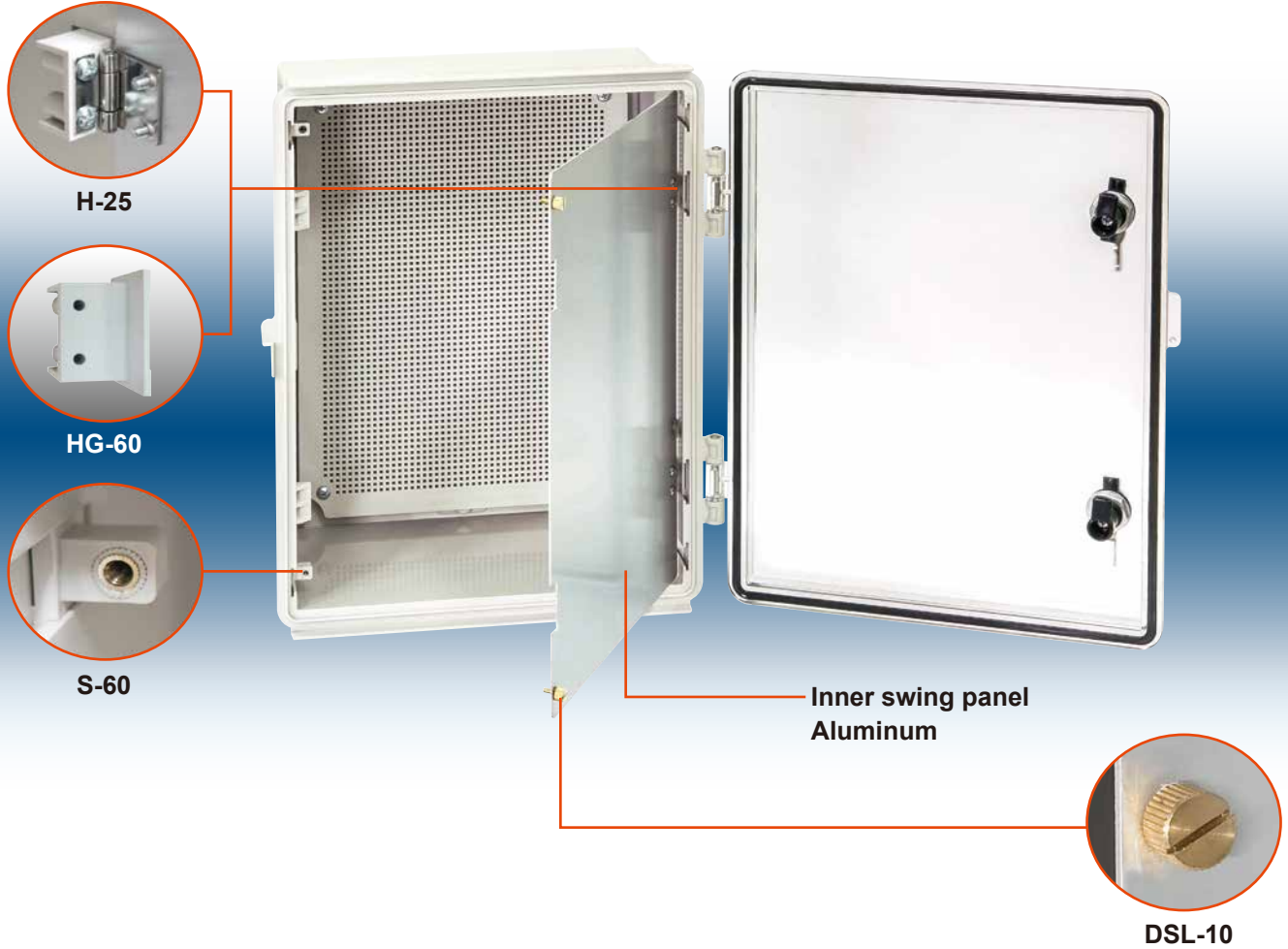
MAXPRO model and standardized list

Dimensions / 尺寸 H x W x D (mm) (Cover included)	ABG		ABT		PCG		PCT		Mounting bracket 托架器 B60	Mounting plate / 底板	
	Body ABS	Cover ABS	Body ABS	Cover PC	Body PC	Cover PC	Body PC	Cover PC		Steel 鐵 1.6 mm	Plastic 塑膠 4 mm
	Gray cover 淺灰蓋		Transparent cover 透明蓋		Gray cover 淺灰蓋		Transparent cover 透明蓋				
310 X 210 X 150	MP3215ABG		MP3215ABT		MP3215PCG		MP3215PCT			M2030	2030 PL
426 X 326 X 200	MP4320ABG		MP4320ABT		MP4320PCG		MP4320PCT		B60	M3040	3040 PL
426 X 426 X 200	MP4420ABG		MP4420ABT		MP4420PCG		MP4420PCT			M4040	4040 PL

Locking systems

Part No. 料號	Position of door locks 門鎖位置	Type / 種類	Door opening direction 開門方向	Ingress protection 防護等級
		Locking System 門鎖系統		
PBL-L	Left / 左	Double Bit / 標準型	Right / 由左向右	IP68
PBL-R	Right / 右		Left / 由右向左	
PKL	-	Manual with key lock / 鑰匙型	-	

INNER SWING PANEL



Suitable Model Box model 開關箱型號	Order Model 訂貨型號	Internal door supporter 內門固定架	Quantity 使用數	Hinge 活頁	Quantity 使用數	Aluminum plate 內門鋁板	Quantity 使用數	Copper screw 銅螺絲	Quantity 使用數
MP3215	MP-ID-32	HG-60	2	H-25	2	MP-P32	1	DSL-10	2
		S-60	2						
MP4320	MP-ID-43	HG-60	2	H-25	2	MP-P43	1	DSL-10	2
		S-60	2						
MP4420	MP-ID-44	HG-60	2	H-25	2	MP-P44	1	DSL-10	2
		S-60	2						

INNER DOOR FOR MCB

Aluminum Plastic Composite Panel (ACP)
內門鋁塑板

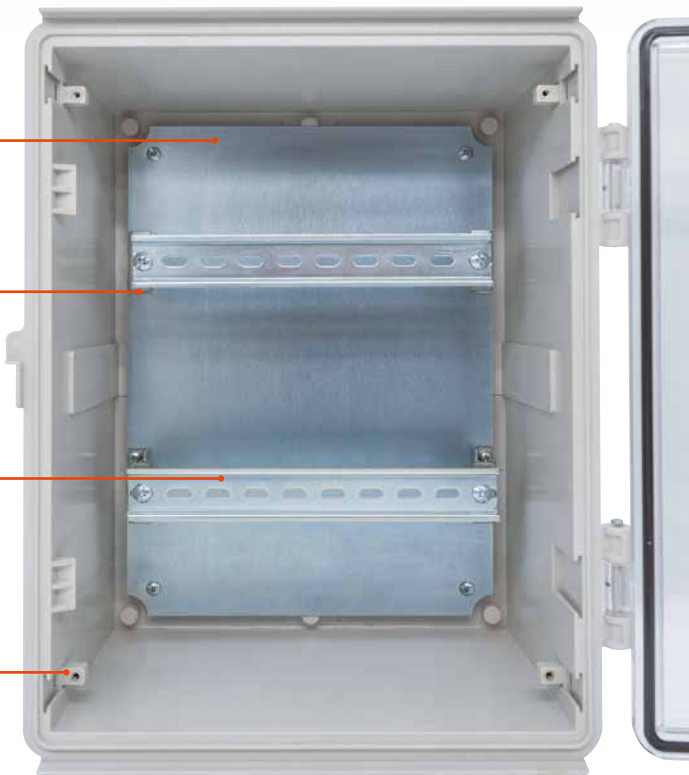


Mounting plate
底板

DIN rail supporter
導軌支撐架

Din rail
鋼軌

Inner door supporter
內門固定座

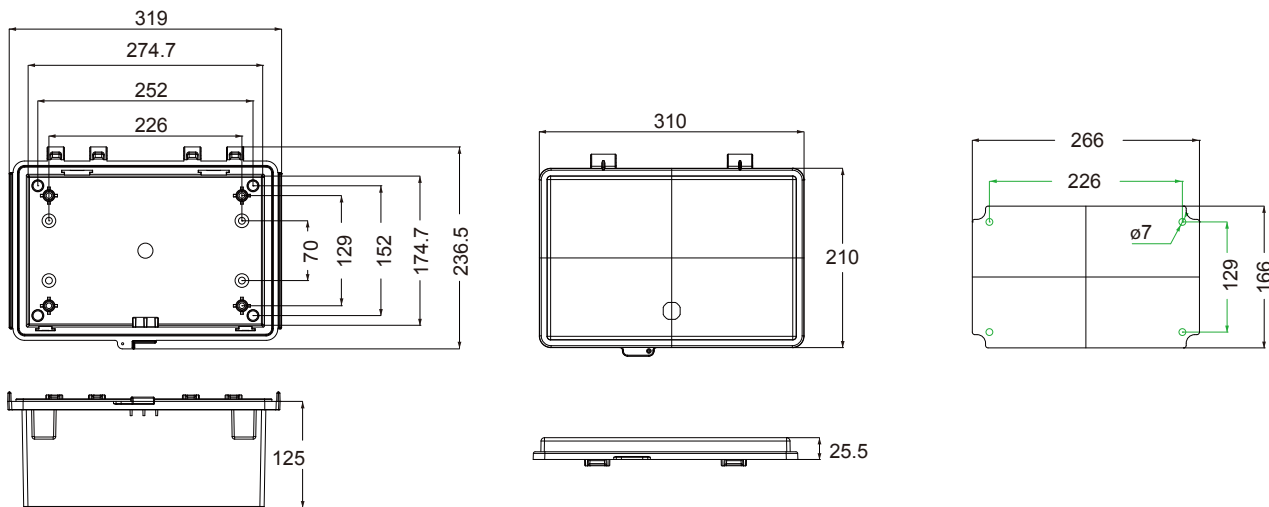


Suitable Enclosure Model 開關箱型號	Order Model 訂貨型號	Capacity of MCB MCB可放數量
MP4320	MP-MID-43	12P x 2
MP4420	MP-MID-44	18P x 2

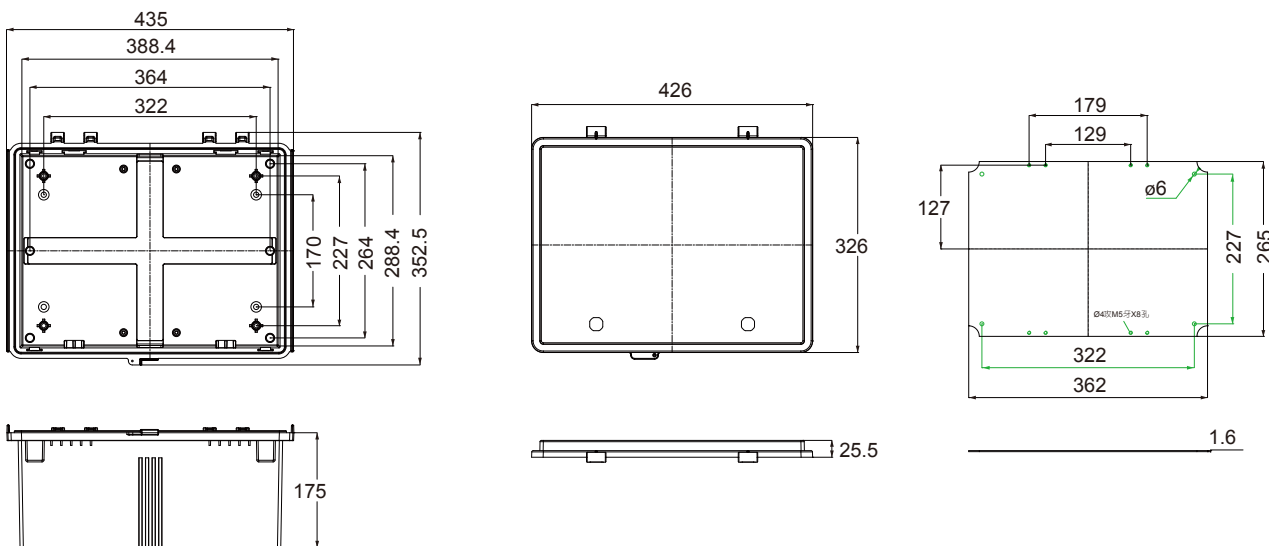
DIMENSIONS

Tolerance: $\pm 0.5\text{mm}$

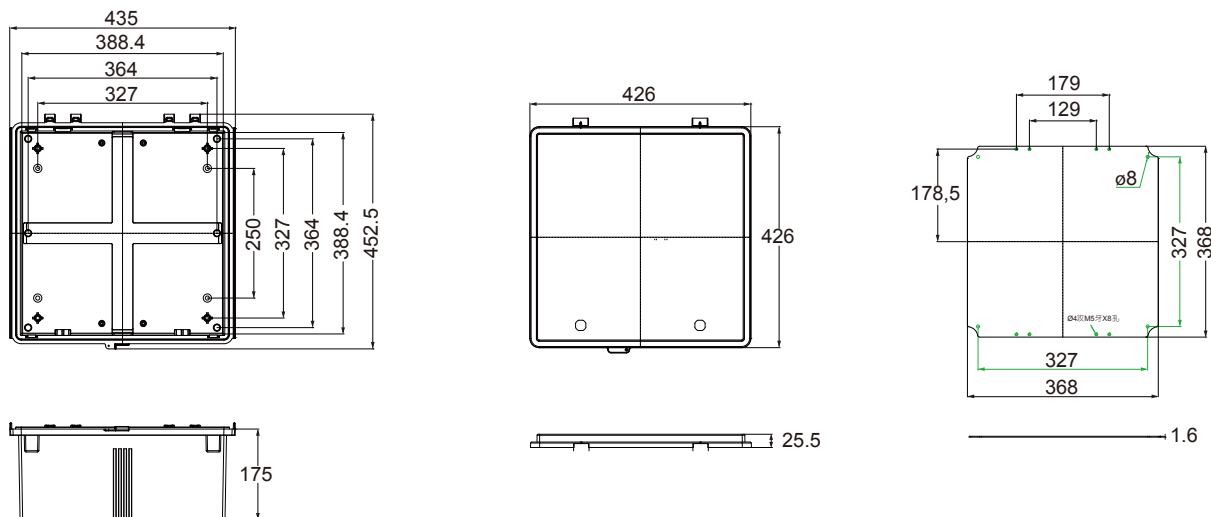
MP3215

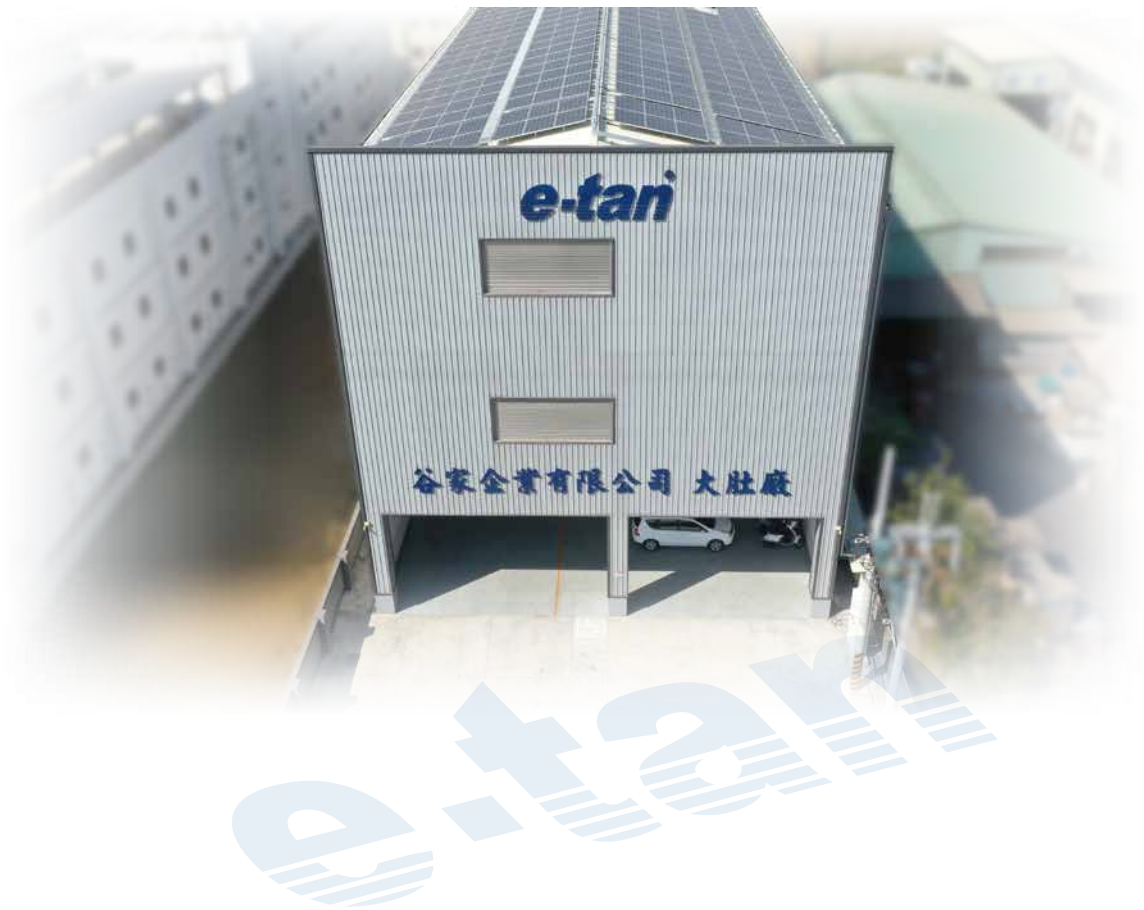


MP4320



MP4420





谷家企業有限公司
COCA ENTERPRISE CO.,LTD.

406台中市北屯區軍福17路78號
NO.78,Junfu 17th Rd.,Beitun District,Taichung
City,40642, Taiwan
Tel:+886-4-2436.0203 Fax:+886-4-2436.0107
<https://www.e-tan.com.tw>
<https://www.demex.com.tw>
e-mail:webmaster@demex.com.tw
e-mail:info@e-tan.com.tw