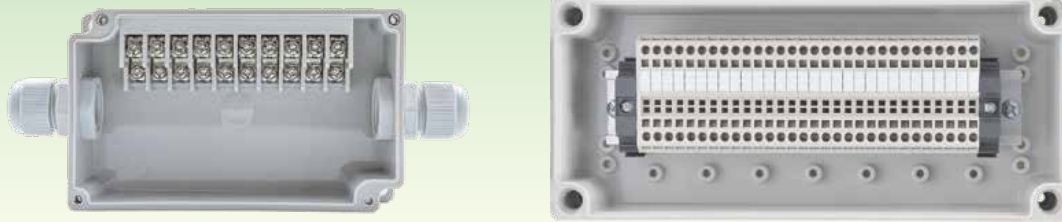


Terminal Block Box





AG / PG TYPE

PROPERTY / 特性	ABS	PC/ABS
Ingress protection / 防護等級(IEC60529)	IP 68	IP 68
Impact protection / 撞擊防護等級	IK 08	IK 08
Standard color / 標準顏色	Light gray / 淺灰 (RAL 7035)	Light gray / 淺灰 (RAL 7035)
Temperature range / 溫度範圍	-40°C ~ + 60°C	-40°C ~ + 80°C
RTI. Elec. / Imp. / Str.	Max. + 60°C / + 60°C / + 60°C	Max. + 85°C / + 85°C / + 85°C
Flammability / 防火等級	UL 94-HB	UL 94 V-0, 5VB
Insulation / 絕緣	☐ 完全絕緣	☐ 完全絕緣
No toxic products / 無毒產品	Halogen free 無鹵素	Halogen free 無鹵素
Standard gasket material / 密封圈材質	Polyurethane foam / 聚氨酯	Polyurethane foam / 聚氨酯

TB series models

Option 選配

Number of Positions	AG		AG		PG		With Cable Gland	Mounting bracket
	Body & Cover ABS	Terminal Block PC / ABS	Body & Cover ABS	Terminal Block PA66	Body & Cover PC / ABS	Terminal Block PC / ABS		
	Gray (RAL 7035)		Gray (RAL 7035)		Gray (RAL 7035)			
4					TB-PG-4PH			—
4					TB-PG-4PH09	PG9 x2		
4					TB-PG-4PT			
4					TB-PG-4P			
6					TB-PG-6PH			
6					TB-PG-6PH09	PG9 x2		
6					TB-PG-6PT			
6					TB-PG-6P			
10					TB-PG-10P			
10					TB-PG-10P11	PG11 x2		
15	TB-AG-15PT				*TB-PG-15PT			B40.01 / PB30.01
15	TB-AG-15P				*TB-PG-15P			
20	TB-AG-20PT				*TB-PG-20PT			
20	TB-AG-20PA				*TB-PG-20PA			
20	TB-AG-20P				*TB-PG-20P			
20	TB-AG-20PTS				*TB-PG-20PTS			
Up to 43P			Customization					

*Non-Standard Product / 非標準品

Terminal Block Box IP68

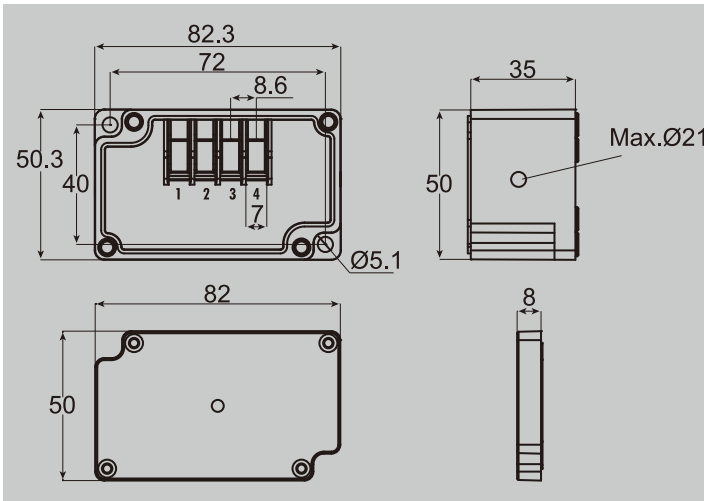


IP68 : Immersion in 1 meter of water for 1 hour

TB-PG-4PH



Dimensions (Tolerance ±1mm)



Feature:

1. Fixed marks in the center of both narrow sides for drilling holes easily
 2. The maximum diameter of hole is 21mm
- 接線盒較窄邊的兩側位於中心點位置標有記號以便於鑽孔,孔的最大尺寸為21毫米

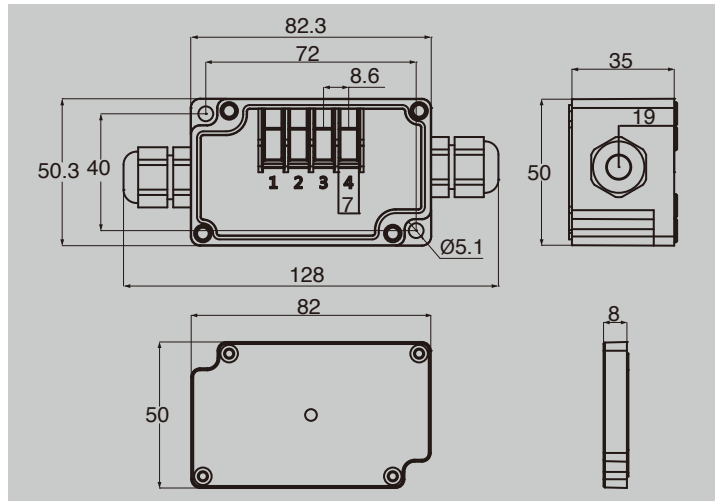
Property

Size	Product model
W x L x H (Cover included)	PC / ABS
	Gray
50 x 82 x 43	TB-PG-4PH

TB-PG-4PH09



Dimensions (Tolerance ±1mm)



Feature:

1. A cable gland of PG9 installed on each narrow side of standard model
 2. Customized installing cable glands of PG7, PG11 or PG13.5
1. 標準品的兩個窄面各有一個PG9電纜固定頭
2. 可接受訂製安裝電纜固定頭PG7、PG11或PG13.5

Property

Size	Product model
W x L x H (Cover included)	PC / ABS
	Gray
50 x 128 x 43	TB-PG-4PH09

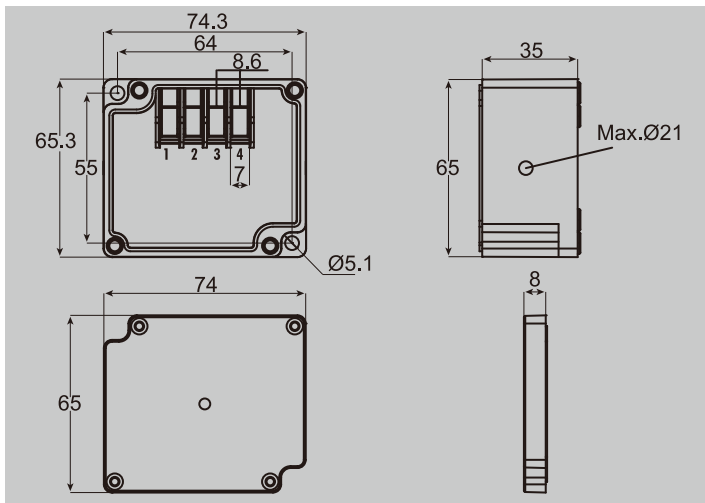
Rated voltage	AC 400V
Rated current	15A
Applicable wire	0.75mm ² ~ 1.5mm ²
Operating temperature	-40 ~ +80 °C
Flammability	UL94-5VB
Ingress Protection	IP68
Impact Protection	IK08

Terminal Block Box IP68

TB-PG-4PT



Dimensions (Tolerance ±1mm)



Feature:

1. Fixed marks in the center of both narrow sides for drilling holes easily
2. The maximum diameter of hole is 21mm

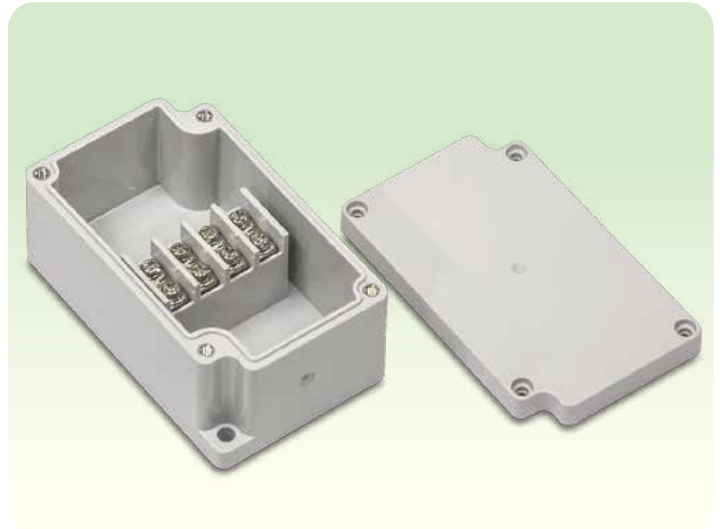
接線盒較窄邊的兩側位於中心點位置標有記號以便於鑽孔,孔的最大尺寸為21毫米

Property

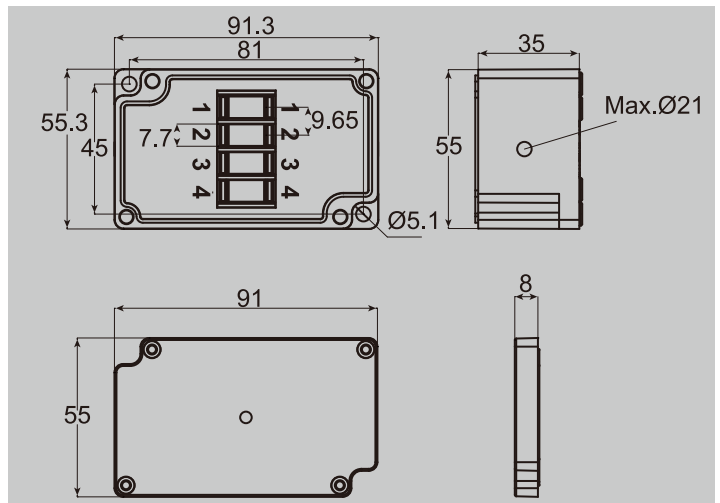
Size	Product model
W x L x H (Cover included)	PC / ABS
	Gray
65 x 74 x 43	TB-PG-4PT
Rated voltage	AC 400V
Rated current	15A
Applicable wire	0.75mm ² ~ 1.5mm ²
Operating temperature	-40 ~ +80 °C
Flammability	UL94-5VB
Ingress Protection	IP68
Impact Protection	IK08

IP68 : Immersion in 1 meter of water for 1 hour

TB-PG-4P



Dimensions (Tolerance ±1mm)



Feature:

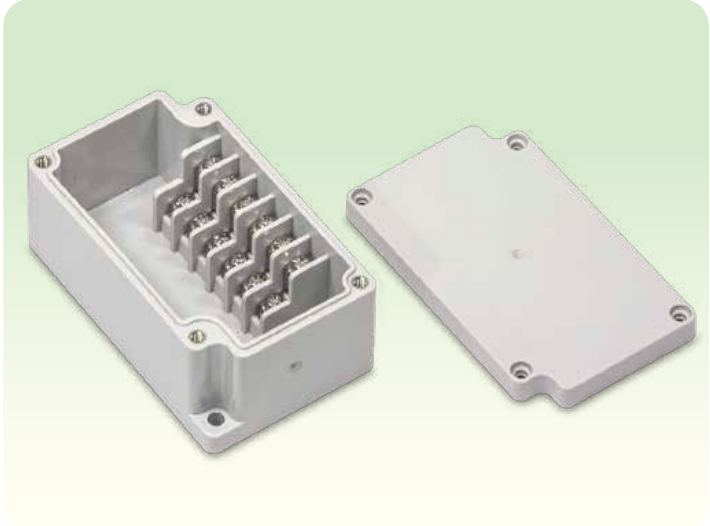
1. Fixed marks in the center of both narrow sides for drilling holes easily
2. The maximum diameter of hole is 21mm

接線盒較窄邊的兩側位於中心點位置標有記號以便於鑽孔,孔的最大尺寸為21毫米

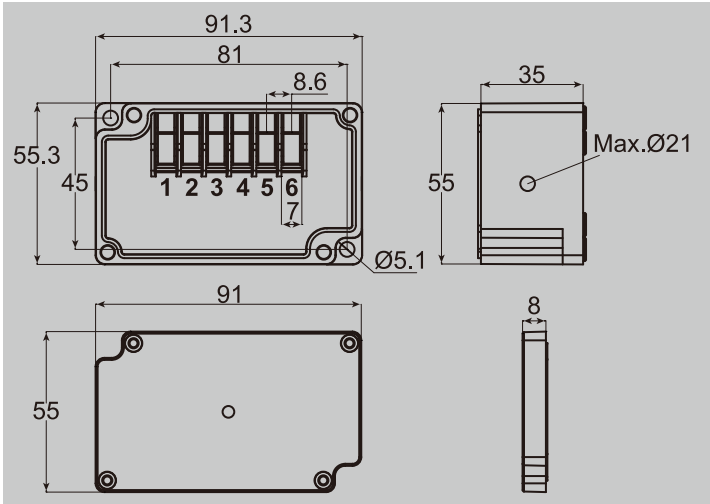
Property

Size	Product model
W x L x H (Cover included)	PC / ABS
	Gray
55 x 91 x 43	TB-PG-4P

TB-PG-6PH



Dimensions (Tolerance ±1mm)



Feature:

1. Fixed marks in the center of both narrow sides for drilling holes easily
 2. The maximum diameter of hole is 21mm
- 接線盒較窄邊的兩側位於中心點位置標有記號以便於鑽孔,孔的最大尺寸為21毫米

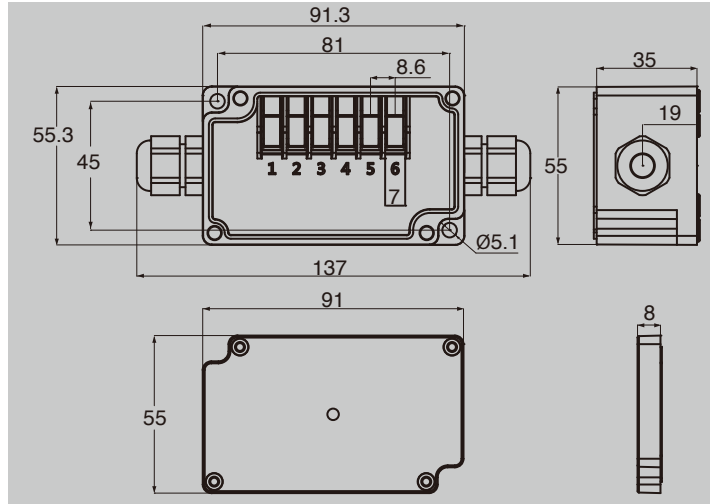
Property

Size	Product model
W x L x H (Cover included)	PC / ABS
	Gray
55 x 91 x 43	TB-PG-6PH
Rated voltage	AC 400V
Rated current	15A
Applicable wire	0.75mm²~ 1.5mm²
Operating temperature	-40 ~ +80 °C
Flammability	UL94-5VB
Ingress Protection	IP68
Impact Protection	IK08

TB-PG-6PH09



Dimensions (Tolerance ±1mm)



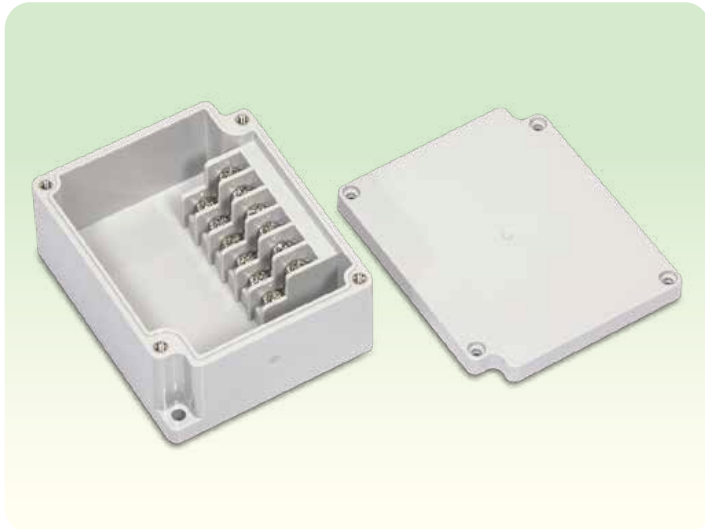
Feature:

1. A cable gland of PG9 installed on each narrow side of standard model
 2. Customized installing cable glands of PG7, PG11 or PG13.5
- 1.標準品的兩個窄面各有一個PG9電纜固定頭
2.可接受訂製安裝電纜固定頭PG7、PG11或PG13.5

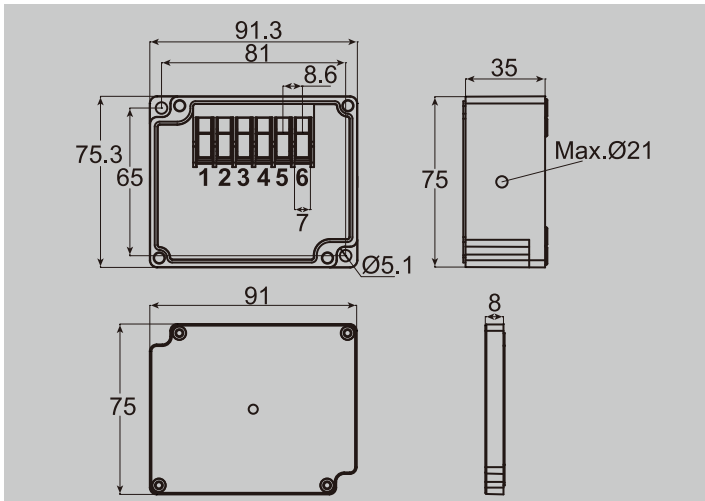
Property

Size	Product model
W x L x H (Cover included)	PC / ABS
	Gray
55 x 137 x 43	TB-PG-6PH09

TB-PG-6PT



Dimensions (Tolerance ± 1 mm)



Feature:

1. Fixed marks in the center of both narrow sides for drilling holes easily
2. The maximum diameter of hole is 21mm

接線盒較窄邊的兩側位於中心點位置標有記號以便於鑽孔,孔的最大尺寸為21毫米

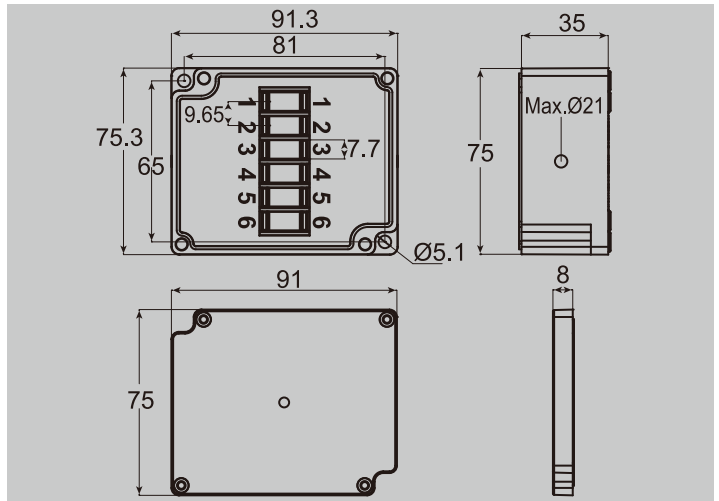
Property

Size	Product model
W x L x H (Cover included)	PC / ABS
	Gray
75 x 91 x 43	TB-PG-6PT

TB-PG-6P



Dimensions (Tolerance ± 1 mm)



Feature:

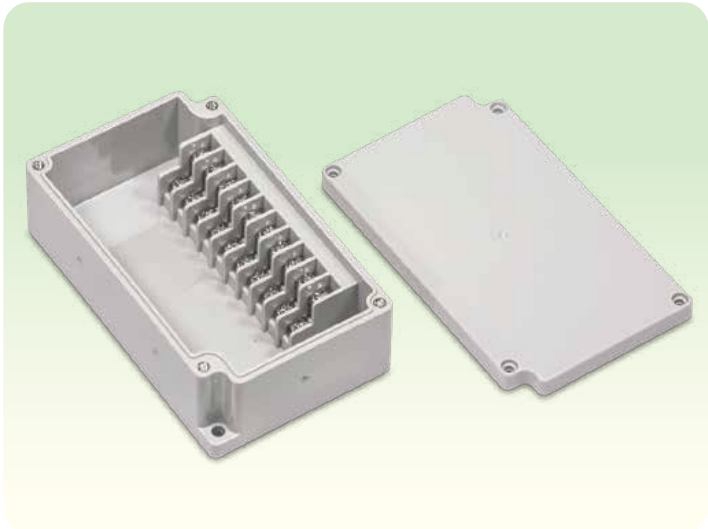
1. Fixed marks in the center of both narrow sides for drilling holes easily
2. The maximum diameter of hole is 21mm

接線盒較窄邊的兩側位於中心點位置標有記號以便於鑽孔,孔的最大尺寸為21毫米

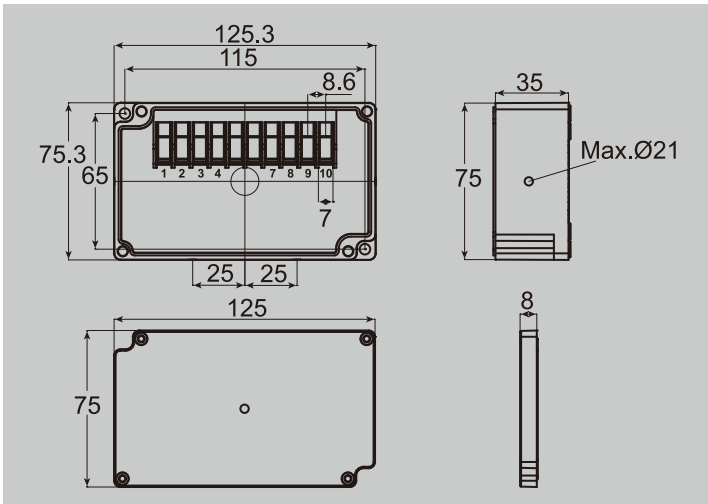
Property

Size	Product model
W x L x H (Cover included)	PC / ABS
	Gray
75 x 91 x 43	TB-PG-6P
Rated voltage	AC 400V
Rated current	15A
Applicable wire	0.75mm² ~ 1.5mm²
Operating temperature	-40 ~ +80°C
Flammability	UL94-5VB
Ingress Protection	IP68
Impact Protection	IK08

TB-PG-10P



Dimensions (Tolerance ±1mm)



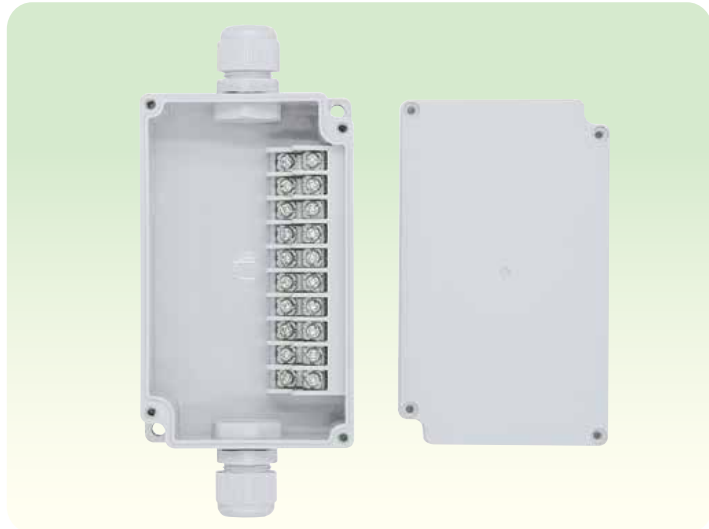
Feature:

1. Fixed marks in the center of both narrow sides for drilling holes easily
 2. The maximum diameter of hole is 21mm
- 接線盒較窄邊的兩側位於中心點位置標有記號以便於鑽孔,孔的最大尺寸為21毫米

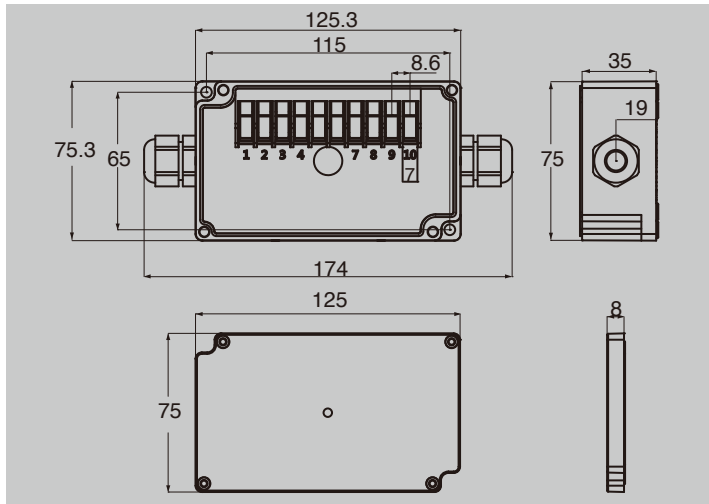
Property

Size	Product model
W x L x H (Cover included)	PC / ABS
	Gray
75 x 125 x 43	TB-PG-10P

TB-PG-10P11



Dimensions (Tolerance ±1mm)



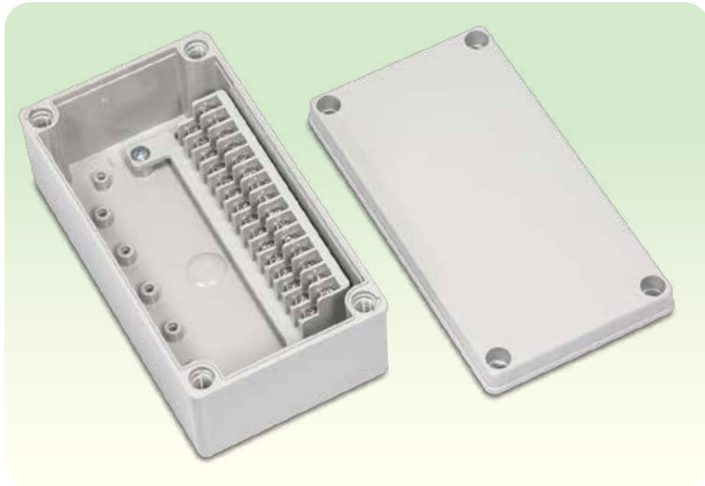
Feature:

1. A cable gland of PG11 installed on each narrow side of standard model
 2. Customized installing cable glands of PG7, PG9 or PG13.5
1. 標準品的兩個窄面各有一個PG11電纜固定頭
2. 可接受訂製安裝電纜固定頭PG7、PG9或PG13.5

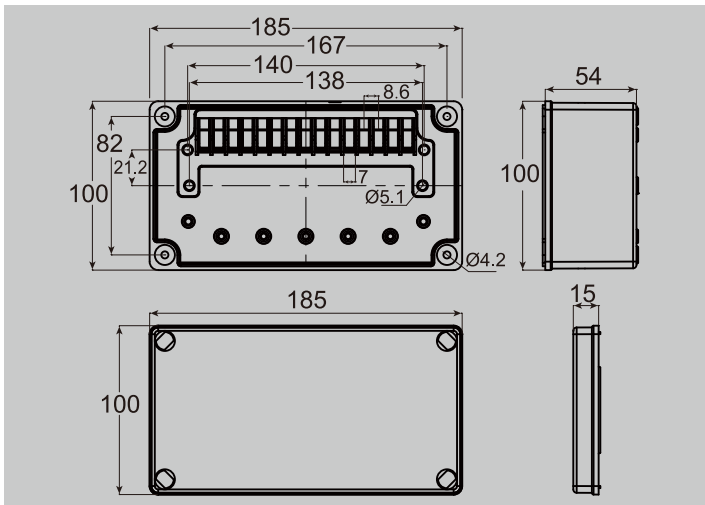
Property

Size	Product model
W x L x H (Cover included)	PC / ABS
	Gray
75 x 174 x 43	TB-PG-10P11

TB-AG-15PT / TB-PG-15PT



Dimensions (Tolerance ±1mm)



Description

AG TYPE : Cover and Body are ABS
 PG TYPE : Cover and Body are PC + ABS
 Terminal block : PC + ABS
 AG款式:盒蓋與盒身ABS材質
 PG款式:盒蓋與盒身PC+ABS材質
 端子台材質:PC+ABS

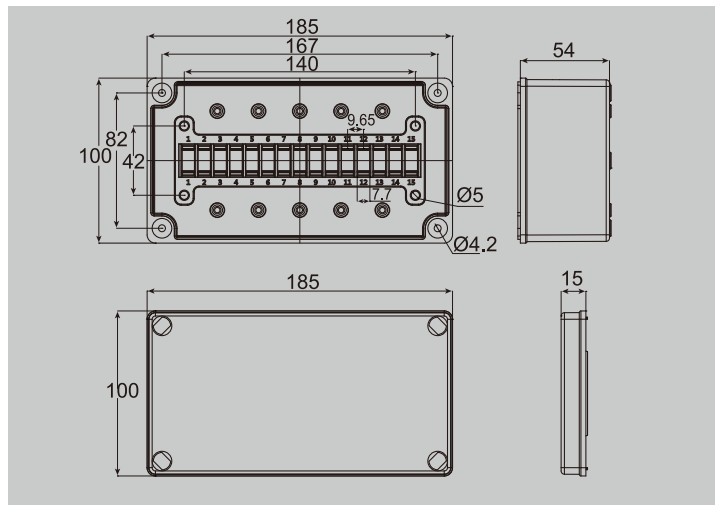
Property

Size W x L x H (Cover included)	Product model	
	ABS Gray	PC / ABS Gray
100 x 185 x 70	TB-AG-15PT	TB-PG-15PT
Rated voltage	AC 400V	
Rated current	15A	
Applicable wire	0.75mm² ~ 1.5mm²	
Operating temperature	AG: -40 ~ +60 °C PG: -40 ~ +80 °C	
Flammability	AG: UL94-HB PG: UL94-5VB	
Terminal block	PC+ABS UL94-5VB	
Ingress Protection	IP68	
Impact Protection	IK08	

TB-AG-15P / TB-PG-15P



Dimensions (Tolerance ±1mm)



Description

AG TYPE : Cover and Body are ABS
 PG TYPE : Cover and Body are PC + ABS
 Terminal block : PC + ABS
 AG款式:盒蓋與盒身ABS材質
 PG款式:盒蓋與盒身PC+ABS材質
 端子台材質:PC+ABS

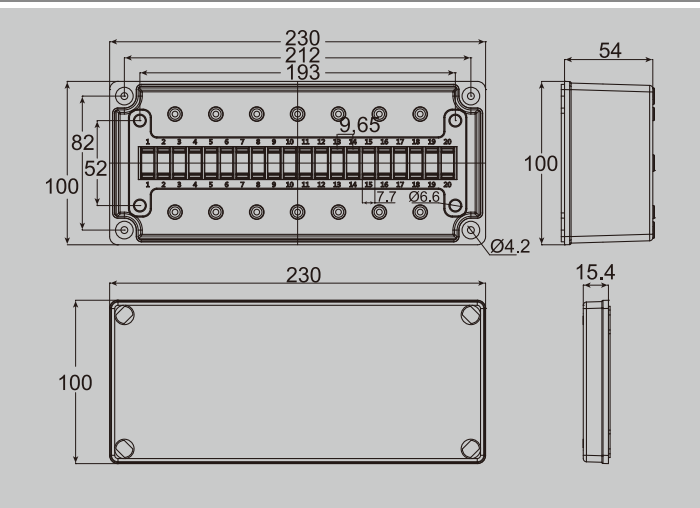
Property

Size W x L x H (Cover included)	Product model	
	ABS Gray	PC / ABS Gray
100 x 185 x 70	TB-AG-15P	TB-PG-15P
Rated voltage	AC 400V	
Rated current	15A	
Applicable wire	0.75mm² ~ 1.5mm²	
Operating temperature	AG: -40 ~ +60 °C PG: -40 ~ +80 °C	
Flammability	AG: UL94-HB PG: UL94-5VB	
Terminal block	PC+ABS UL94-5VB	
Ingress Protection	IP68	
Impact Protection	IK08	

TB-AG-20PT / TB-PG-20PT



Dimensions (Tolerance ±1 mm)



Description

AG TYPE : Cover and Body are ABS
 PG TYPE : Cover and Body are PC + ABS
 Terminal block : PC + ABS
 AG款式:盒蓋與盒身ABS材質
 PG款式:盒蓋與盒身PC+ABS材質
 端子台材質:PC+ABS

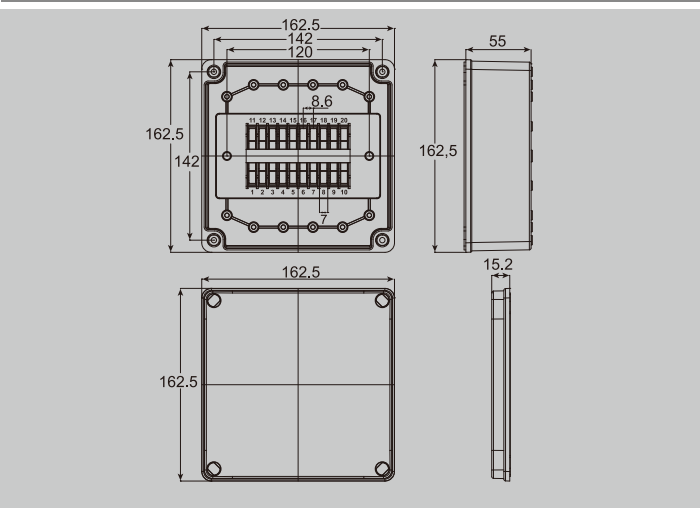
Property

Size	Product model	
	ABS	PC / ABS
W x L x H (Cover included)	Gray	Gray
100 x 230 x 70	TB-AG-20PT	TB-PG-20PT

TB-AG-20PA / TB-PG-20PA



Dimensions (Tolerance ±1 mm)



Description

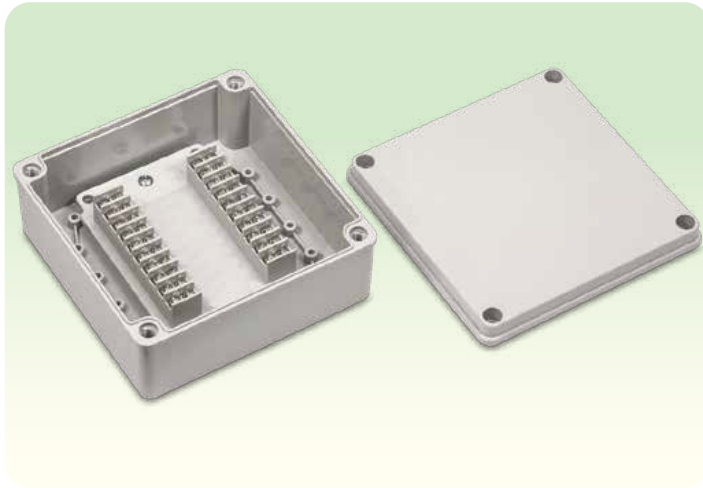
AG TYPE : Cover and Body are ABS
 PG TYPE : Cover and Body are PC + ABS
 Terminal block : PC + ABS
 AG款式:盒蓋與盒身ABS材質
 PG款式:盒蓋與盒身PC+ABS材質
 端子台材質:PC+ABS

Property

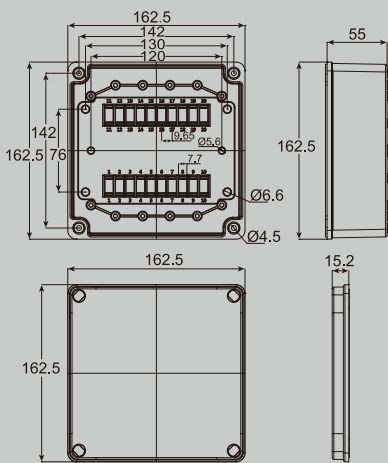
Size	Product model	
	ABS	PC / ABS
W x L x H (Cover included)	Gray	Gray
160 x 160 x 70	TB-AG-20PA	TB-PG-20PA

Rated voltage	AC 400V
Rated current	15A
Applicable wire	0.75mm² ~ 1.5mm²
Operating temperature	AG: -40 ~ +60°C PG: -40 ~ +80°C
Flammability	AG: UL94-HB PG: UL94-5VB
Terminal block	PC+ABS UL94-5VB
Ingress Protection	IP68
Impact Protection	IK08

TB-AG-20P / TB-PG-20P



Dimensions (Tolerance ±1mm)



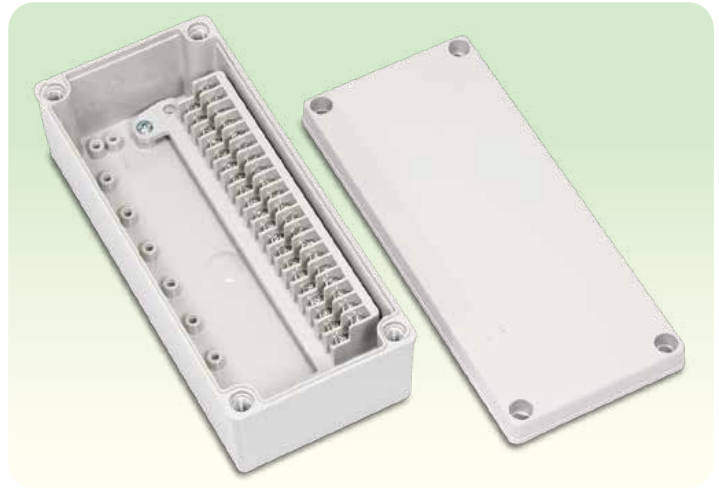
Description

AG TYPE : Cover and Body are ABS
 PG TYPE : Cover and Body are PC + ABS
 Terminal block : PC + ABS
 AG款式:盒蓋與盒身ABS材質
 PG款式:盒蓋與盒身PC+ABS材質
 端子台材質:PC+ABS

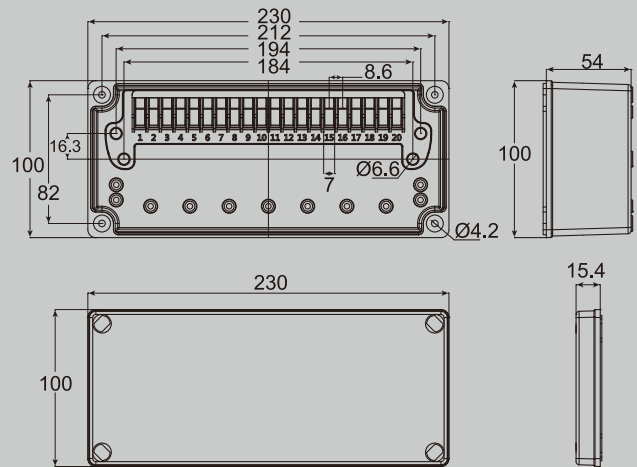
Property

Size W x L x H (Cover included)	Product model	
	ABS	PC / ABS
160 x 160 x 70	Gray TB-AG-20P	Gray TB-PG-20P

TB-AG-20PTS



Dimensions (Tolerance ±1mm)



Description

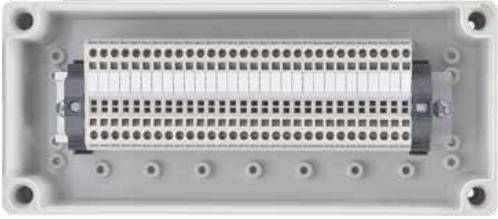

AG TYPE : Cover and Body are ABS
 PG TYPE : Cover and Body are PC + ABS
 Terminal block : PC + ABS
 AG款式:盒蓋與盒身ABS材質
 PG款式:盒蓋與盒身PC+ABS材質
 端子台材質:PC+ABS

Property

Size W x L x H (Cover included)	Product model	
	ABS	PC / ABS
100 x 230 x 70	Gray TB-AG-20PTS	Gray TB-PG-20PTS

Rated voltage	AC 400V
Rated current	15A
Applicable wire	0.75mm² ~ 1.5mm²
Operating temperature	AG: -40 ~ +60°C PG: -40 ~ +80°C
Flammability	AG: UL94-HB PG: UL94-5VB
Terminal block	PC+ABS UL94-5VB
Ingress Protection	IP68
Impact Protection	IK08

Customized Terminal Block Boxes

	Number of Positions (Maximum)		Dimensions W x H x D (Cover included)	Cable entry	Mounting bracket
	2.5 mm ²	4.0 mm ²			
	39P	30P	100 x 230 x 70	customization	B40.01 / PB30.01
	43P	36P	150 x 250 x 100	customization	

PROPERTY / 特性	
Material / 材質	Box : ABS Terminal Block : PA66
Ingress protection / 防護等級(IEC 60529)	IP 68
Impact protection / 撞擊防護等級	IK 08
Color / 標準顏色	Light gray / 淺灰 (RAL 7035)
Temperature / 溫度範圍	Box : -40°C ~ + 60°C Terminal Block : -40°C ~ + 105°C
Flammability / 防火等級	Box : UL 94-HB Terminal Block : UL 94 V-0
Applicable wire / 線徑 (Max.)	2.5 mm ² / 4.0mm ²
Rated voltage	AC 600V
Rated current	18 / 20A

How to order

