



ISO 9001
ISO 14064



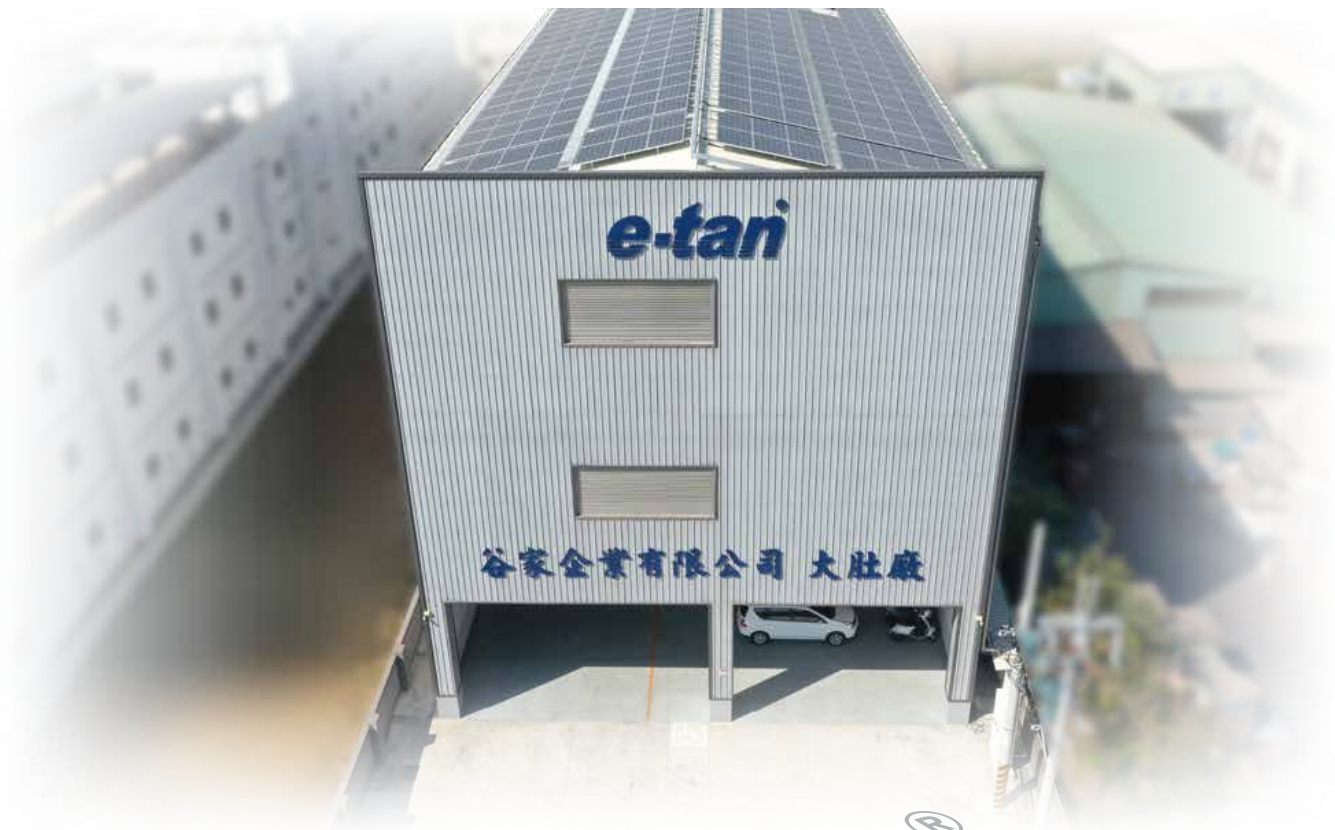
Plastic Enclosures

2024

Made in Taiwan

COCA ENTERPRISE CO., LTD.





e-tan®

谷家企業有限公司 COCA ENTERPRISE CO., LTD.

📍 406台中市北屯區軍福17路78號

NO.78, Junfu 17th Rd., Beitun District, Taichung City,
40642, Taiwan

☎ +886-4-2436.0203

📠 +886-4-2436.0107

✉ info@e-tan.com.tw / webmaster@demex.com.tw

🌐 www.e-tan.com.tw / www.demex.com.tw





EN series (Hinged enclosures)

EN系列

4



ET series (Screw cover enclosures)

ET系列

13



ES series (Screw cover boxes)

ES系列

16



PB series (Pushbutton box)

PB系列

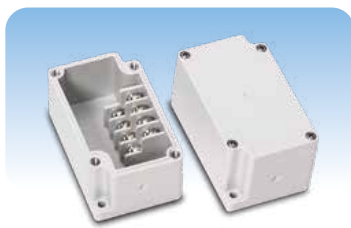
22



AS series (ABS / UL94 V-0)

AS系列

26



TERMINAL BLOCK BOX

端子台接線盒

27



VENTILATOR

通風器

33



MP series (MAXPRO enclosures)
MP系列

37



AIR COOLING WITH FILTER
風扇加滑蓋式通風濾網組

43



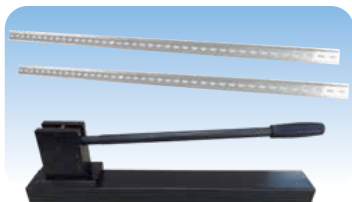
CABLE GLAND
電纜防水接頭

45



INSPECTION WINDOWS
視窗

46



ROSH DIN RAIL TS35 / DIN CUTTER
TS35鋼軌 / 導軌切斷器

48



MULTIPLE SOCKET
萬用插座

50

Who we are

Coca is a manufacturer and trader specialized in the research, development, production of automation system, such as enclosures, thermostats, heaters, integrated flashing lights, miniature circuit breakers, I/O control modules and further control devices.

Coca Enterprise was founded in 1991 in Taiwan and established two brands **e-tan** and **DEMEX**.

谷家在1991年成立於台灣，且建立兩個品牌**e-tan**與**DEMEX**，專於研發與生產自動化控制系統的相關產品，例如工業開關箱、恆溫器、加熱器、LED警示燈、斷路器、介面模組與其他控制裝置。



Our Strength

Coca provided various enclosures with different materials and sizes that form a flexible production line, providing many categories of accessories to meet your exact requirements. Our enclosures are good at waterproof, dustproof and impact protection. We got protection class IP68 TÜV Rheinland Certificates of enclosure ES, EN, ET, MP and TB series. We also provide enclosures with UV resistance conforming to UL746C(f1) and flammability UL94 V-0 / 5VA.

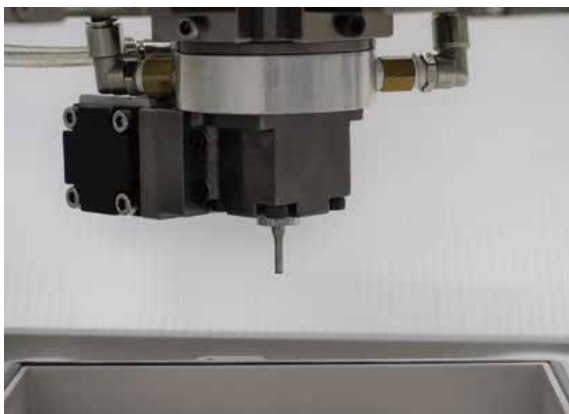
谷家透過彈性的生產線，提供多樣性的開關箱，備有多種的材質與尺寸以供選擇，而且同時提供多種的周邊配件以符合客戶的需求。我們的開關箱在防水防塵與防衝擊有著卓越的性能，且ES、EN、ET、MP與TB系列已取得德國萊因TÜV IP68認證。谷家也提供開關箱具有抗UV符合UL746C(f1)與耐燃符合UL94 V-0 / 5VA。



One-Stop Shop Drilling Services

We offer precise drilling services to fit your own designs.

我們提供精準的鑽孔客製化服務，使客戶能在谷家就能完成所有需求，而無須尋找二次加工廠商。



Our Product The Enclosures

Production of polyurethane foam gasket is based on FIPFG (Formed-In-Place Foam Gasket) sealing technology.

以現場發泡成型密封技術(FIPFG)製作聚氨酯(PU)墊片。

Automatic Machines To Save Time in Assembly Process

There are several machines helping us to assemble the enclosures, including putting metal conductive plates and screws into the enclosures of TB series.

利用自動化設備協助將半成品組裝成開關箱成品，例如：將金屬導電板及螺絲組裝於TB系列的開關箱內。



Packing Machine The Final Step

The enclosures are respectively sealed with POF film before being put in the cartons.

裝箱前利用POF收縮膜將產品密封。

Overview

EN-AG-203015

Series 系列

- EN : Hinged 鉸鏈
- ET : Screw cover(L)螺絲盒蓋(大)
- ES : Screw cover(S)螺絲盒蓋(小)
- TB : Terminal block 端子台
- MP : European 歐式

Materials 原料

- A : ABS(通用款)
- P : PC / ABS blend混合(耐燃)
- PC : PC (耐燃+耐候)

Dimensions 尺寸

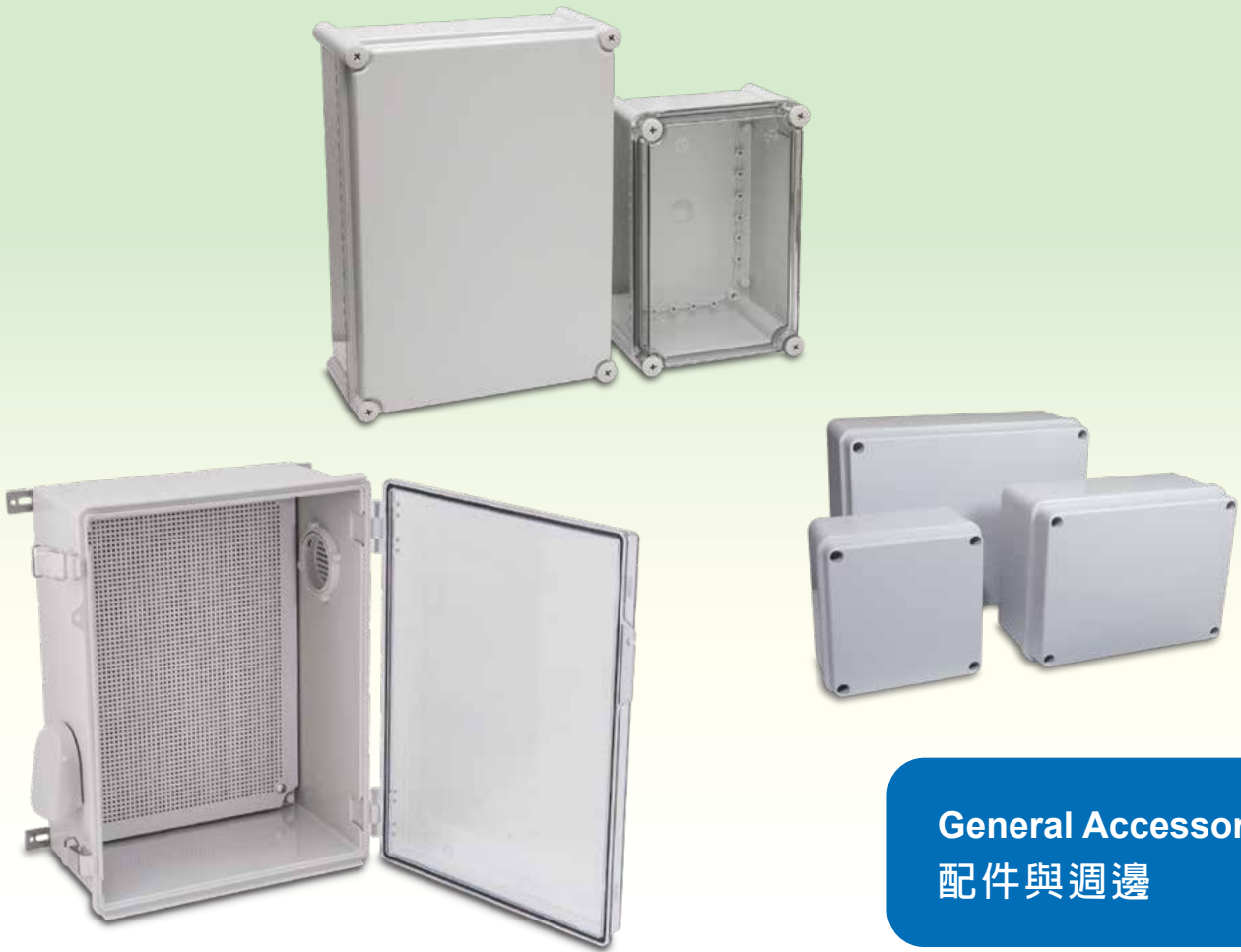
- Color of cover 蓋子顏色
- G : Gray (RAL 7035)淺灰
- T : Transparent 透明

Materials

Body 盒身		Cover 盒蓋	Application 應用	Features 特點
AG	ABS	ABS	General purpose	
AT	ABS	PC	一般用途	
PG	PC / ABS	PC / ABS	Terminal block	
PT	PC / ABS	PC	端子台	
PCG	PC	PC	Outdoor / Weatherproof	
PCT	PC	PC	戶外 耐候	

■ Transparent cover 透明盒蓋

PROPERTY / 特性	ABS	PC/ABS	Polycarbonate 聚碳酸酯(PC)
Color 標準顏色	Gray(RAL 7035) / 淺灰	Gray(RAL 7035) / 淺灰	Gray(RAL 7035) / 淺灰 Transparency / 無色透明
Temperature 溫度範圍	-40°C ~ + 60°C	-40°C ~ + 70°C	-40°C ~ + 80°C (up to 100°C < 1 HR)
Ingress protection 防護等級 (IEC 60529)	IP 68		
Impact protection 撞擊防護等級	IK 08	IK 08	IK 08 / 10
Flammability 耐燃等級	UL 94-HB	UL 94 V-0, 5VB	UL 94 V-0, 5VA
UV resistance 抗紫外線	-	-	UL746C (f1), △E5.8 ~ 9 @1000 HR
Salt spray 鹽霧測試 (IEC 60068-2)	-	-	Pass (1344 HR)
Non-toxic products 無毒產品	Halogen free 無鹵素		
Insulation 絕緣	回 完全絕緣		
Gasket material 密封圈材質	Polyurethane foam 聚氨酯		



General Accessories
配件與週邊



Cable Gland
電纜固定



Climate Control
溫濕度控制



DIN Mount Receptacle
萬用插座



Inspection Windows
視窗



Pole Mount Kit
桿上支架



Inner Door
內門



DIN Rail
軌道



CUSTOMIZATION
客製開孔

Digital Printing Services 數位印刷服務

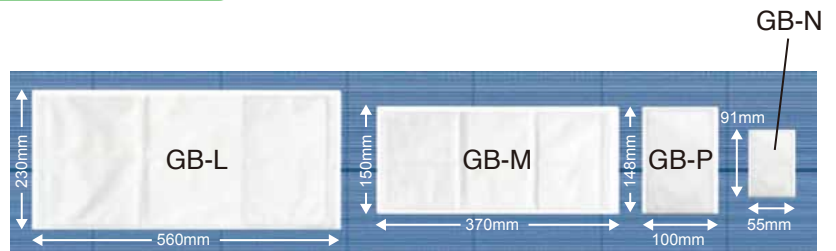
UV Inkjet Printing UV噴墨印刷

- The ink used in the digital printing process is UV cured, scratch resistant, waterproof and UV resistant.
- Printing text and images directly on the enclosures.
- Digital printing is applicable to any size enclosures.
- 利用紫外線將油墨固化，防刮、防水、防紫外線
- 將文字、圖案直接印刷於開關箱
- 適用於任何尺寸的開關箱



Humidity Control Sheet 濕度控制片

- Dew condensation problems are solved with humidity control sheet.
- Long lasting and easy maintenance.
- Flexible design to fit any enclosures.



- 解決密閉環境的潮濕結露問題
- 效果持久且易維護
- 靈活輕巧可適用各式開關箱

Product Name 產品編號	Size 尺寸(mm)	Weight 重量(g)	Application Capacity 箱體容量(L)
NTTGBL	560 x 230 x 3	130	400
NTTGBM	370 x 150 x 3	50	150
NTTGBP	100 x 148 x 1	10	25
NTTGBN	55 x 91 x 1	3	7

※ Using a large size or several humidity control sheets at a fixed capacity will increase the breathing rate of moisture instead of lowering the humidity.

於固定容量使用大尺寸或數片的濕度控制片會增加其對於濕氣的呼吸速度增加，而非將濕度降得更低

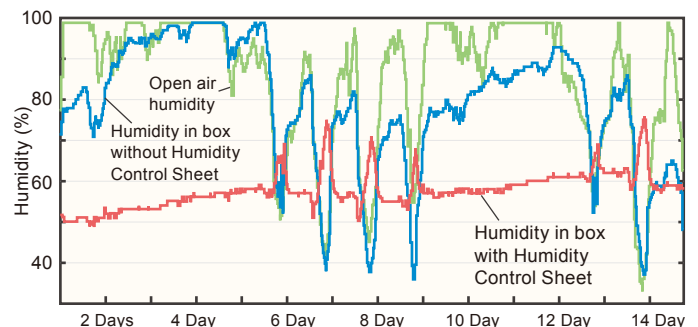


Humidity Control Sheet Test

濕度控制片測試

【Measurement Conditions 量測條件】

- Volume capacity of box / 箱子容量：13.9L (ø5mm vent hole in bottom / ø5 mm 透氣孔在底部)
- Measurement location / 測試地點：outdoors location in Hachioji city, Tokyo / 戶外 (東京, 八王子市)
- Measurement time period / 測試時間：2 weeks / 2週



- 箱內濕度 (有濕度控制片)
- 箱內濕度 (無濕度控制片)
- 戶外濕度

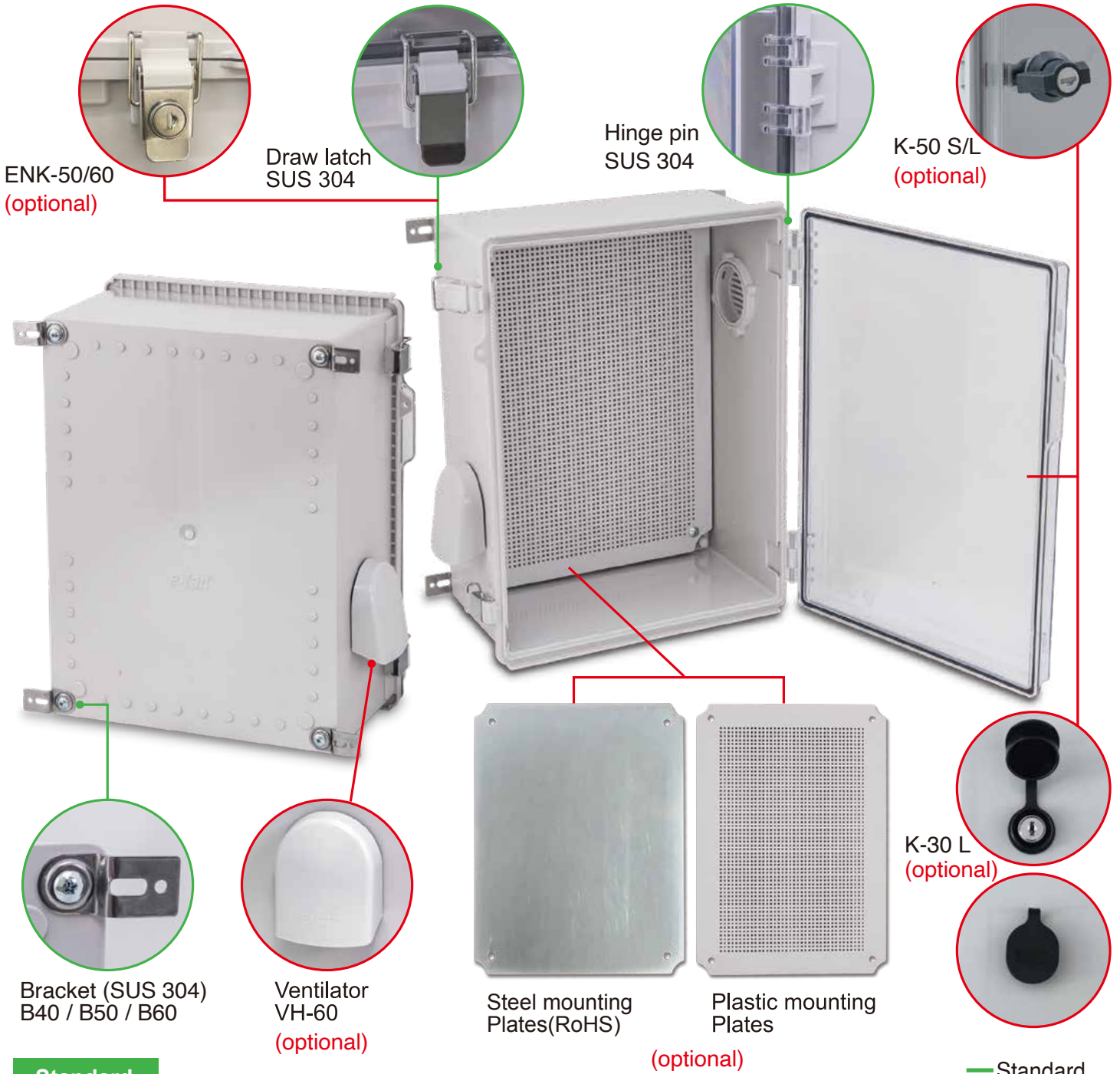
※ Usable time period may change depending on environmental conditions.
使用壽命會依不同的使用環境而有所改變

Special features of EN series EN系列特點

- IP68
- Optional mounting plates (plastic / steel)
- 304 stainless steel latches, hinge pins and mounting brackets
- It's easy to fix enclosures with brackets of stainless 304.
- **We can provide enclosures for harsh environments, such as coast, marine, renewable energy or water treatment on request.**

- 防護等級: IP68
- 塑膠底板及鐵底板可供選擇
- 扣環及活頁的插銷由塑膠底座及不鏽鋼304製成, 耐用且不易生鏽及變形
- 304不鏽鋼的固定架可讓開關箱容易固定安裝
- **如您有需求, 我們可提供適用於嚴苛環境的開關箱, 例如用於臨近海邊、海上、再生能源或水處理場所**





ENK-50/60
(optional)

Draw latch
SUS 304

Hinge pin
SUS 304

K-50 S/L
(optional)

Bracket (SUS 304)
B40 / B50 / B60

Ventilator
VH-60
(optional)

Steel mounting
Plates (RoHS)

Plastic mounting
Plates

K-30 L
(optional)

Standard

■ Mounting Bracket 固定架

■ Draw Latch 扣環



B40 / B50 / B60



PB30.00



L40 / L50 / L60

— Standard
— Option

Option

■ Lock 鎖

■ Mounting Plates 底板

■ Ventilator 通風器

■ Cable Gland 電纜固定頭



ENK-50 / 60



K-30L



K-50 S/L



Steel (Galvanization 鍍鋅) /
Plastic (ABS)



VH40 / 50 / 60 / 100





Option 選配

Vertical Enclosures / 直式開關箱

Dimensions W x H x D (Cover included)	AG		AT		PG		PT		Mounting bracket	Mounting plate		Lock
	Body ABS	Cover ABS	Body ABS	Cover PC	Body PC+ABS	Cover PC+ABS	Body PC+ABS	Cover PC		Steel	Plastic	
	Gray cover		Transparent cover		Gray cover		Transparent cover			1.6mm	> 3mm	
100 x 150 x 70	EN-AG-101507		EN-AT-101507		EN-PG-101507		EN-PT-101507		B40.00 / PB30.00	M0813	0813 PL	K-30L
100 x 150 x 85	EN-AG-101508		EN-AT-101508		EN-PG-101508		EN-PT-101508			M0813	0813 PL	
135 x 155 x 85	EN-AG-131508		EN-AT-131508		EN-PG-131508		EN-PT-131508			M1315	1315 PL	
135 x 185 x 85	EN-AG-131808		EN-AT-131808		EN-PG-131808		EN-PT-131808			M1217	1217 PL	
135 x 185 x 100	EN-AG-131810		EN-AT-131810		EN-PG-131810		EN-PT-131810			M1217	1217 PL	
150 x 150 x 90	EN-AG-151509		EN-AT-151509		EN-PG-151509		EN-PT-151509			M1515	1515 PL	
150 x 150 x 120	EN-AG-151512		EN-AT-151512		EN-PG-151512		EN-PT-151512			M1515	1515 PL	
160 x 210 x 100	EN-AG-162110		EN-AT-162110		EN-PG-162110		EN-PT-162110			M1520	1520 PL	
160 x 210 x 130	EN-AG-162113		EN-AT-162113		EN-PG-162113		EN-PT-162113			M1520	1520 PL	
160 x 260 x 100	EN-AG-162610		EN-AT-162610		EN-PG-162610		EN-PT-162610			M1525	1525 PL	
160 x 260 x 130	EN-AG-162613		EN-AT-162613		EN-PG-162613		EN-PT-162613			M1525	1525 PL	
170 x 220 x 110	EN-AG-172211		EN-AT-172211		EN-PG-172211		EN-PT-172211			M1520	1520 PL	
170 x 270 x 110	EN-AG-172711		EN-AT-172711		EN-PG-172711		EN-PT-172711			M1525	1525 PL	
210 x 210 x 100	EN-AG-212110		EN-AT-212110		EN-PG-212110		EN-PT-212110			M2121	2020 PL	
210 x 210 x 130	EN-AG-212113		EN-AT-212113		EN-PG-212113		EN-PT-212113		M2121	2020 PL		
190 x 280 x 100	EN-AG-192810		EN-AT-192810		EN-PG-192810		EN-PT-192810		B50.00	M1928	1928 PL	ENK-50
190 x 280 x 140	EN-AG-192814		EN-AT-192814		EN-PG-192814		EN-PT-192814			M1928	1928 PL	
200 x 300 x 130	EN-AG-203013		EN-AT-203013		EN-PG-203013		EN-PT-203013			M2030	2030 PL	
200 x 300 x 150	EN-AG-203015		EN-AT-203015		EN-PG-203015		EN-PT-203015			M2030	2030 PL	
200 x 300 x 180	EN-AG-203018		EN-AT-203018		EN-PG-203018		EN-PT-203018			M2030	2030 PL	
250 x 350 x 150	EN-AG-253515		EN-AT-253515		EN-PG-253515		EN-PT-253515			M2535	2535 PL	
250 x 350 x 180	EN-AG-253518		EN-AT-253518		EN-PG-253518		EN-PT-253518			M2535	2535 PL	
280 x 280 x 130	EN-AG-282813		EN-AT-282813		EN-PG-282813		EN-PT-282813			M2828	2828 PL	
280 x 380 x 130	EN-AG-283813		EN-AT-283813		EN-PG-283813		EN-PT-283813			M2838	2838 PL	
300 x 300 x 150	EN-AG-303015		EN-AT-303015		EN-PG-303015		EN-PT-303015			M3030	3030 PL	
300 x 300 x 180	EN-AG-303018		EN-AT-303018		EN-PG-303018		EN-PT-303018			M3030	3030 PL	
300 x 400 x 120	EN-AG-304012		EN-AT-304012		EN-PG-304012		EN-PT-304012			M3040	3040 PL	
300 x 400 x 150	EN-AG-304015		EN-AT-304015		EN-PG-304015		EN-PT-304015			M3040	3040 PL	
300 x 400 x 180	EN-AG-304018		EN-AT-304018		EN-PG-304018		EN-PT-304018			M3040	3040 PL	
350 x 350 x 150	EN-AG-353515		EN-AT-353515		EN-PG-353515		EN-PT-353515		M3535	3535 PL		
350 x 350 x 180	EN-AG-353518		EN-AT-353518		EN-PG-353518		EN-PT-353518		M3535	3535 PL		
350 x 450 x 120	EN-AG-354512		EN-AT-354512		EN-PG-354512		EN-PT-354512		B60.00	M3545	3545 PL	ENK-60
350 x 450 x 160	EN-AG-354516		EN-AT-354516		EN-PG-354516		EN-PT-354516			M3545	3545 PL	
350 x 450 x 200	EN-AG-354520		EN-AT-354520		EN-PG-354520		EN-PT-354520			M3545	3545 PL	
400 x 500 x 160	EN-AG-405016		EN-AT-405016		EN-PG-405016		EN-PT-405016			M4050	4050 PL	
400 x 500 x 200	EN-AG-405020		EN-AT-405020		EN-PG-405020		EN-PT-405020			M4050	4050 PL	
400 x 600 x 180	EN-AG-406018		EN-AT-406018		EN-PG-406018		EN-PT-406018			M4060	4060 PL	
400 x 600 x 230	EN-AG-406023		EN-AT-406023		EN-PG-406023		EN-PT-406023			M4060	4060 PL	
530 x 630 x 185	EN-AG-506018		EN-AT-506018		EN-PG-506018		EN-PT-506018			B60.01	M5060	
530 x 630 x 255	EN-AG-506025		EN-AT-506025		EN-PG-506025		EN-PT-506025		M5060		5060 PL	
530 x 730 x 185	EN-AG-507018		EN-AT-507018		EN-PG-507018		EN-PT-507018		M5070		5070 PL	
530 x 730 x 255	EN-AG-507025		EN-AT-507025		EN-PG-507025		EN-PT-507025		M5070		5070 PL	
650 x 850 x 300	EN-AG-608030		EN-AT-608030		EN-PG-608030		EN-PT-608030		M6080			

Horizontal Enclosures / 橫式開關箱

Dimensions W x H x D (Cover included)	AG		AT		PG		PT		Mounting bracket	Mounting plate		Lock
	Body ABS	Cover ABS	Body ABS	Cover PC	Body PC+ABS	Cover PC+ABS	Body PC+ABS	Cover PC		Steel	Plastic	
	Gray cover		Transparent cover		Gray cover		Transparent cover			1.6mm	> 3mm	
286 x 190 x 100	EN-AG-291910		EN-AT-291910		EN-PG-291910		EN-PT-291910		B50.00	M1928	1928 PL	K-30L
300 x 200 x 150	EN-AG-302015		EN-AT-302015		EN-PG-302015		EN-PT-302015			M2030	2030 PL	
300 x 200 x 180	EN-AG-302018		EN-AT-302018		EN-PG-302018		EN-PT-302018			M2030	2030 PL	
400 x 300 x 150	EN-AG-403015		EN-AT-403015		EN-PG-403015		EN-PT-403015			M3040	3040 PL	
400 x 300 x 180	EN-AG-403018		EN-AT-403018		EN-PG-403018		EN-PT-403018			M3040	3040 PL	
500 x 400 x 200	EN-AG-504020		EN-AT-504020		EN-PG-504020		EN-PT-504020		B60.00	M4050	4050 PL	ENK-60

Weatherproof enclosures

+ UV Resistant

+ Flame Resistant



PROPERTY / 特性	Polycarbonate 聚碳酸酯(PC)	
Color 標準顏色	Gray(RAL 7035) / 淺灰	Transparency / 無色透明
Temperature 溫度範圍	-40°C ~ + 80°C (up to 100°C < 1 HR)	
Ingress protection 防護等級 (IEC 60529)	IP 68	
Impact protection 撞擊防護等級	IK 08 / 10	
Flammability 耐燃等級	UL94 V-0, 5VA	
UV resistance 抗紫外線	UL746C (f1), △E9.07 @1000 HR	UL746C (f1), △E5.8 @1000 HR
Salt spray 鹽霧測試 (IEC 60068-2)	Pass (1344 HR)	
Non-toxic products 無毒產品	Halogen free 無鹵素	
Insulation 絕緣	☐ 完全絕緣	
Gasket material 密封圈材質	Polyurethane foam 聚氨酯	



- 提供客製抗鹽害處理
- Providing enclosures that have passed the salt spray test (IEC 60068-2).

EN Series

HINGED ENCLOSURE

鉸鏈款

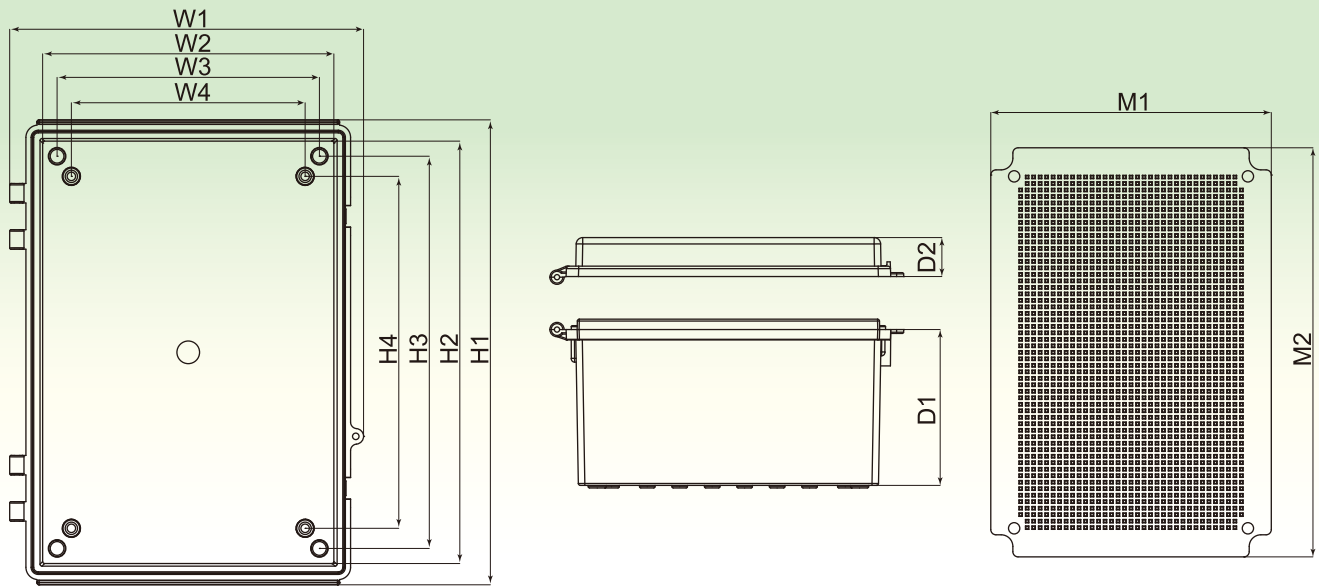
1 HR



UV / Flame Resistant 耐燃/耐候開關箱

Option 選配

Dimensions W x H x D (Cover included)	PCG		PCT		Mounting bracket	Mounting plate		Lock
	Body PC	Cover PC	Body PC	Cover PC		Steel	Plastic	
	Gray cover		Transparent cover			1.6mm	above 3mm	
100 x 150 x 70	EN-PCG-101507		EN-PCT-101507		B40.03 / PB30	M0813	0813 PL	K-30L
100 x 150 x 85	EN-PCG-101508		EN-PCT-101508			M0813	0813 PL	
135 x 155 x 85	EN-PCG-131508		EN-PCT-131508			M1315	1315 PL	
135 x 185 x 85	EN-PCG-131808		EN-PCT-131808			M1217	1217 PL	
135 x 185 x 100	EN-PCG-131810		EN-PCT-131810			M1217	1217 PL	
150 x 150 x 90	EN-PCG-151509		EN-PCT-151509			M1515	1515 PL	
150 x 150 x 120	EN-PCG-151512		EN-PCT-151512			M1515	1515 PL	
160 x 210 x 100	EN-PCG-162110		EN-PCT-162110			M1520	1520 PL	
160 x 210 x 130	EN-PCG-162113		EN-PCT-162113			M1520	1520 PL	
160 x 260 x 100	EN-PCG-162610		EN-PCT-162610			M1525	1525 PL	
160 x 260 x 130	EN-PCG-162613		EN-PCT-162613			M1525	1525 PL	
170 x 220 x 110	EN-PCG-172211		EN-PCT-172211			M1520	1520 PL	
170 x 270 x 110	EN-PCG-172711		EN-PCT-172711			M1525	1525 PL	
210 x 210 x 110	EN-PCG-212110		EN-PCT-212110			M2121	2020 PL	
210 x 210 x 130	EN-PCG-212113		EN-PCT-212113		M2121	2020 PL		
190 x 280 x 100	EN-PCG-192810		EN-PCT-192810		M1928	1928 PL	ENK-50	
190 x 280 x 140	EN-PCG-192814		EN-PCT-192814		M1928	1928 PL		
200 x 300 x 130	EN-PCG-203013		EN-PCT-203013		M2030	2030 PL		
200 x 300 x 150	EN-PCG-203015		EN-PCT-203015		M2030	2030 PL		
200 x 300 x 180	EN-PCG-203018		EN-PCT-203018		M2030	2030 PL		
300 x 200 x 150	EN-PCG-302015		EN-PCT-302015		M2030	2030 PL		
300 x 200 x 180	EN-PCG-302018		EN-PCT-302018		M2030	2030 PL		
250 x 350 x 150	EN-PCG-253515		EN-PCT-253515		M2535	2535 PL		
250 x 350 x 180	EN-PCG-253518		EN-PCT-253518		M2535	2535 PL		
280 x 280 x 130	EN-PCG-282813		EN-PCT-282813		M2828	2828 PL		
280 x 380 x 130	EN-PCG-283813		EN-PCT-283813		M2838	2838 PL		
286 x 190 x 100	EN-PCG-291910		EN-PCT-291910		M1928	1928 PL		
300 x 300 x 150	EN-PCG-303015		EN-PCT-303015		M3030	3030 PL		
300 x 300 x 180	EN-PCG-303018		EN-PCT-303018		M3030	3030 PL		
300 x 400 x 120	EN-PCG-304012		EN-PCT-304012		M3040	3040 PL		
300 x 400 x 150	EN-PCG-304015		EN-PCT-304015		M3040	3040 PL		
300 x 400 x 180	EN-PCG-304018		EN-PCT-304018		M3040	3040 PL		
400 x 300 x 150	EN-PCG-403015		EN-PCT-403015		M3040	3040 PL		
400 x 300 x 180	EN-PCG-403018		EN-PCT-403018		M3040	3040 PL		
350 x 350 x 150	EN-PCG-353515		EN-PCT-353515		M3535	3535 PL		
350 x 350 x 180	EN-PCG-353518		EN-PCT-353518		M3535	3535 PL		
350 x 450 x 120	EN-PCG-354512		EN-PCT-354512		M3545	3545 PL	ENK-60	
350 x 450 x 160	EN-PCG-354516		EN-PCT-354516		M3545	3545 PL		
350 x 450 x 200	EN-PCG-354520		EN-PCT-354520		M3545	3545 PL		
400 x 500 x 160	EN-PCG-405016		EN-PCT-405016		M4050	4050 PL		
400 x 500 x 200	EN-PCG-405020		EN-PCT-405020		M4050	4050 PL		
500 x 400 x 200	EN-PCG-504020		EN-PCT-504020		M4050	4050 PL		
400 x 600 x 180	EN-PCG-406018		EN-PCT-406018		M4060	4060 PL		
400 x 600 x 230	EN-PCG-406023		EN-PCT-406023		M4060	4060 PL		
530 x 630 x 185	EN-PCG-506018		EN-PCT-506018		M5060	5060 PL		
530 x 630 x 255	EN-PCG-506025		EN-PCT-506025		M5060	5060 PL		
530 x 730 x 185	EN-PCG-507018		EN-PCT-507018		M5070	5070 PL		
530 x 730 x 255	EN-PCG-507025		EN-PCT-507025		M5070	5070 PL		
650 x 850 x 300	EN-PCG-608030		EN-PCT-608030		M6080			



Dimensions (mm)

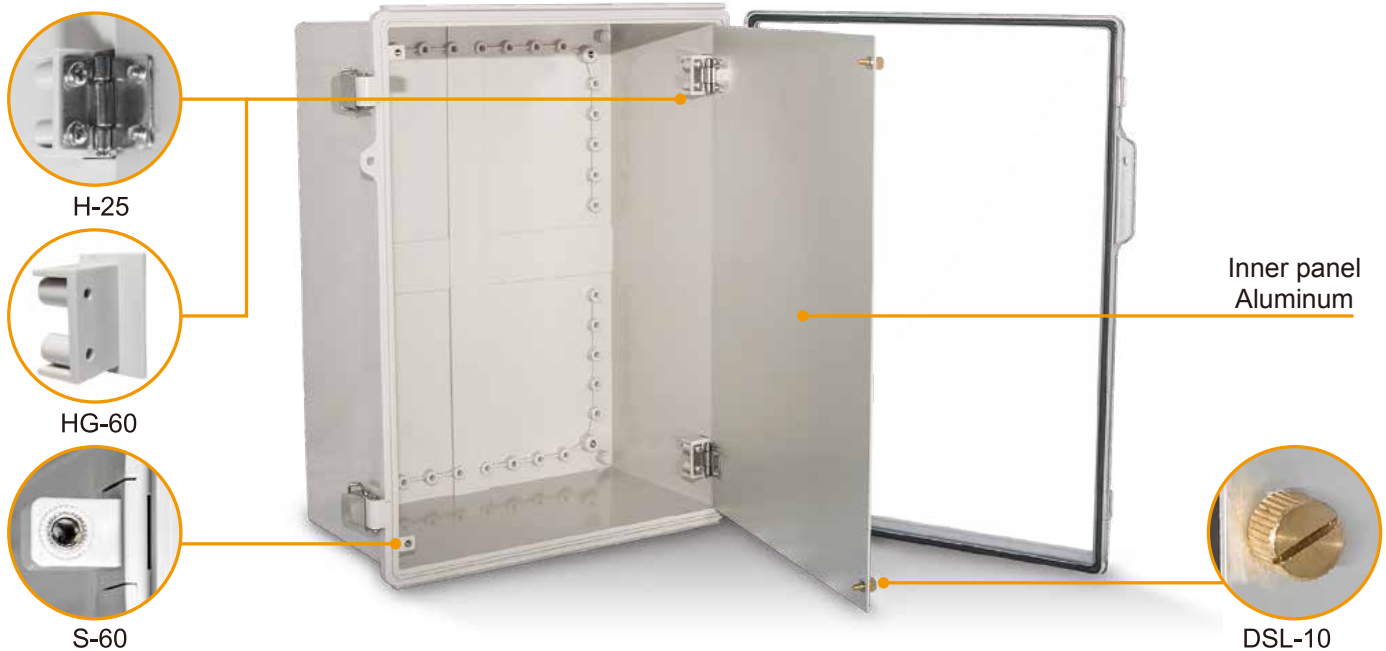
Tolerance: ±1.0mm

Model	W x H x D	W1	W2	W3	W4	H1	H2	H3	H4	D1	D2	Steel Plate		Plastic Plate	
												M1	M2	M1	M2
EN-□□-101507	100 x 150 x 70	117	78.2	60	0	159	128.6	110	99.5	50	20	65	116	68.5	119
EN-□□-101508	100 x 150 x 85	117	78.2	60	0	159	128.6	110	99.5	65	20	65	116	68.5	119
EN-□□-131508	135 x 155 x 85	152.1	112.7	95	0	163.5	133.1	115	110	65	20	108.8	129	109	129
EN-□□-131808	135 x 185 x 85	152.1	112.7	95	0	193.5	163.1	145	140	65	20	100.9	157.6	109	159
EN-□□-131810	135 x 185 x 100	152.1	112.2	95	0	193.5	162.6	145	140	80	20	100.9	157.6	109	159
EN-□□-151509	150 x 150 x 90	167.1	127.4	115	0	158.5	127.4	115	110	70	20	124.9	124.2	123	123
EN-□□-151512	150 x 150 x 120	167.1	126.3	115	0	158.5	126.3	115	110	100	20	124.9	124.2	123	123
EN-□□-162110	163 x 210 x 100	180.1	140.2	120	0	218.5	187.8	170	160	75	25	136	183	135	185
EN-□□-162113	163 x 210 x 130	180.1	139.1	120	0	218.5	186.7	170	160	105	25	136	183	135	185
EN-□□-162610	160 x 260 x 100	177.1	137.2	120	0	268.5	237.8	220	210	75	25	134	234	135	235
EN-□□-162613	160 x 260 x 130	177.1	136.1	120	0	268.5	236.7	220	210	105	25	134	234	135	235
EN-□□-172211	173 x 220 x 110	190.1	149.6	132	0	228.5	197.6	182	160	80	30	136	183	135	185
EN-□□-172711	170 x 270 x 110	187.1	146.6	132	0	278.5	247.6	232	210	80	30	134	234	135	235
EN-□□-212110	210 x 210 x 100	227.1	187.2	170	0	218.5	187.8	170	160	75	25	179	179	179	179
EN-□□-212113	210 x 210 x 130	227.1	186.1	170	0	218.5	186.7	170	160	105	25	179	179	179	179
EN-□□-192810	190 x 280 x 100	207.1	167	148	120	288.5	258	238	210	70	30	161	251.5	161	252
EN-□□-192814	190 x 280 x 140	207.1	165.6	148	120	288.5	256.6	238	210	110	30	161	251.5	161	252
EN-□□-291910	286 x 190 x 100	303	263	250	210	198.5	168	153	120	70	30	161	251.5	161	252
EN-□□-203013	200 x 300 x 131	222.5	175.9	152	129	308	275.9	252	226	101	30	166.5	266	166	266
EN-□□-203015	200 x 300 x 151	222.5	175.2	152	129	308	275.2	252	226	121	30	166.5	266	166	266
EN-□□-203018	200 x 300 x 181	222.5	174.2	152	129	308	274.2	252	226	151	30	166.5	266	166	266
EN-□□-302015	300 x 200 x 150	320	274	252	226	208	176	152	129	120	30	166.5	266	166	266
EN-□□-302018	300 x 200 x 180	320	273	252	226	208	175	152	129	150	30	166.5	266	166	266
EN-□□-253515	250 x 350 x 150	272.5	225.3	202	180	358	325.3	302	271	120	30	216	315	216	315
EN-□□-253518	250 x 350 x 180	272.5	223.2	202	180	358	324.2	302	271	150	30	216	315	216	315
EN-□□-282813	280 x 280 x 130	302.5	255.5	238	210	288	255.5	238	210	100	30	251	251.5	249	249
EN-□□-283813	280 x 380 x 130	302.5	355.9	238	210	388	355.9	338	310	100	30	252	353.2	248	347.5
EN-□□-303015	300 x 300 x 150	322.5	275.3	252	219	308	275.3	252	219	120	30	262	262	262	262
EN-□□-303018	300 x 300 x 180	322.5	273.2	252	219	308	274.2	252	219	150	30	262	262	262	262
EN-□□-304012	300 x 400 x 120	324.7	275.3	252	223.4	408	376.1	352	323.4	89.5	31	265.2	362.3	268	368
EN-□□-304015	300 x 400 x 150	324.7	275	252	223.4	408	375	352	323.4	119.5	31	265.2	362.3	268	368
EN-□□-304018	300 x 400 x 180	324.7	274	252	223.4	408	374	352	323.4	149.5	31	265.2	362.3	268	368
EN-□□-403015	408 x 308 x 150	430.5	374.3	352	322	316.4	274.3	252	227	120	30	265.2	362.3	268	368
EN-□□-403018	408 x 308 x 180	430.5	373.2	352	322	317.2	271	252	227	150	30	265.2	362.3	268	368
EN-□□-353515	350 x 350 x 150	372.5	324.3	302	270	358	324.3	302	270	120	30	313.5	313.5	314	314
EN-□□-353518	350 x 350 x 180	372.5	323.2	302	270	358	323.2	302	270	150	30	313.5	313.5	314	314
EN-□□-354512	350 x 450 x 120	376.5	323.8	300	274	461	425.3	400	365	90	30	305.7	406.3	306	407
EN-□□-354516	350 x 450 x 160	376.5	323.9	300	274	461	423.9	400	365	130	30	305.7	406.3	306	407
EN-□□-354520	350 x 450 x 200	376.5	320.5	300	274	461	422.5	400	365	170	30	305.7	406.3	306	407
EN-□□-405016	400 x 500 x 160	427.5	371.9	352	328	511	473.9	452	428	130	30	362.5	463	358	458
EN-□□-405020	400 x 500 x 200	427.5	370.5	352	328	511	472.5	452	428	170	30	362.5	463	358	458
EN-□□-504020	516 x 416 x 200	542.5	472.5	452	428	427	372.5	352	328	170	30	362.5	463	358	458
EN-□□-406018	415 x 615 x 180	442.5	371.9	352	328	626	571.9	552	525	150	30	350.7	550.5	358	556
EN-□□-406023	415 x 615 x 230	442.5	370.1	352	328	626	570.1	552	525	200	30	350.7	550.5	358	556
EN-□□-506018	530 x 630 x 185	557.5	486.8	462	426	641	586.8	562	526	150	35	469.6	551.5	460	560
EN-□□-506025	530 x 630 x 255	557.5	484.4	462	426	641	584.4	562	526	220	35	469.6	551.5	460	560
EN-□□-507018	530 x 730 x 185	557.5	486.9	462	426	741	686.9	662	626	150	35	469.6	652	460	660
EN-□□-507025	530 x 730 x 255	557.5	484.4	462	426	741	684.4	662	626	220	35	469.6	652	460	660
EN-□□-608030	650 x 850 x 300	679.5	586.9	564	526	861	786.9	764	726	255	45	556	753		



Suitable Model / 適用型號 : EN-XX-162110 ~ 291910, EN-XX-212110 ~ 212113

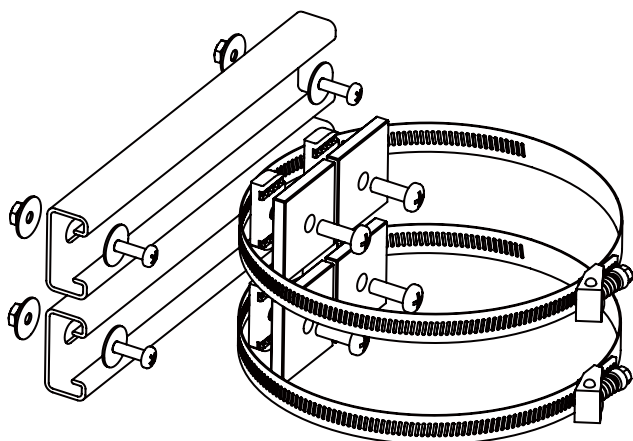
Part No.	Description	Packing
KIT-S-50	S-50 x 4 pcs + Steel screw 鐵螺絲 M4-10 x 4pcs	1
KIT-ID-50	HG-50 x 2 pcs + Tapping screw 自攻螺絲 M4-8T x 4 pcs S-50 x 2 pcs + Machine screw 細牙螺絲 M4-10 x 2 pcs	1
KIT-ID-50S	HG-50 x 2 pcs + Tapping screw 自攻螺絲 M4-8T x 4 pcs S-50 x 2 pcs + Machine screw 銅螺絲 DSL-10 x 2 pcs	1



■ Inner door kit = Aluminum plate + Parts kit

EN series NO. EN型號	Inner door kit NO. 內門組型號	Aluminum plate 內門鋁板	Parts kit NO. 零件包型號	Parts kit 零件包
EN-XX-203013	EN-ID-2030	P2030	KIT-ID-603	HG-60 x2 S-60x2 H-25x2 DSL-10x2
EN-XX-203015				
EN-XX-203018				
EN-XX-253515	EN-ID-2535	P2535		
EN-XX-253518				
EN-XX-282813				
EN-XX-283813	EN-ID-2838	P2838		
EN-XX-303015	EN-ID-3030	P3030		
EN-XX-303018				
EN-XX-304012				
EN-XX-304015				
EN-XX-304018				
EN-XX-353515	EN-ID-3535	P3535		
EN-XX-353518				
EN-XX-354512				
EN-XX-354516				
EN-XX-354520				
EN-XX-405016	EN-ID-4050	P4050	KIT-ID-604	HG-60 x3 S-60x4 H-25x3 DSL-10x2
EN-XX-405020				
EN-XX-406018	EN-ID-4060	P4060	KIT-ID-605	HG-60 x3 S-60x4 H-25x3 DSL-10x4
EN-XX-406023				
EN-XX-506018	EN-ID-5060	P5060		
EN-XX-506025				
EN-XX-507018				
EN-XX-507025				

- Strut Channel (Galvanized steel or SUS304).
- Adjustable 304 stainless steel hose clamp allow for mounting on pole diameters 2" to 12" (Ø51 ~ 311 mm).
- The hose clamps can be combined to expand its diameter.
- 鍍鋅C型鐵槽/SUS304
- 304不鏽鋼管束適用於圓柱(Ø51~311mm)與方柱
- 可根據柱子尺寸，自行調整或串接管束



Order NO.	Description	Dimensions
PM2330	304 Stainless steel pole mount bracket PM2-330 304不鏽鋼桿上固定架 PM2-330	330mm
PM2530	304 Stainless steel pole mount bracket PM2-530 304不鏽鋼桿上固定架 PM2-530	530mm
PM2650	304 Stainless steel pole mount bracket PM2-650 304不鏽鋼桿上固定架 PM2-650	650mm

Special features of ET series ET系列特點

- IP68
- Optional mounting plates (plastic / steel)
- Captive cover screws
- Mounting boss screws included for bosses with brass inserts
- Fixing enclosures with brackets (304 stainless steel) or driving M5 screws on four holes directly.
- 防護等級: IP68
- 塑膠底板及鐵底板可供選擇
- 防脫落盒蓋螺絲
- 304不鏽鋼的固定架可使開關箱容易固定安裝,或使用M5攻牙螺絲可直接固定於4個孔上



Option 選配

ET series models

Dimensions W x H x D (Cover included)	AG		AT		PG		PT		Mounting bracket	Mounting plate	
	Body ABS	Cover ABS	Body ABS	Cover PC	Body PC+ABS	Cover PC+ABS	Body PC+ABS	Cover PC		Steel	Plastic
	Gray cover		Transparent cover		Gray cover		Transparent cover			1.6mm	> 3mm
190 x 190 x 130	ET-AG-191913		ET-AT-191913		ET-PG-191913		ET-PT-191913		B50.00	M1919	1919 PL
190 x 280 x 130	ET-AG-192813		ET-AT-192813		ET-PG-192813		ET-PT-192813	M1928		1928 PL	
190 x 280 x 180	ET-AG-192818		ET-AT-192818		ET-PG-192818		ET-PT-192818	M1928		1928 PL	
190 x 380 x 130	ET-AG-193813		ET-AT-193813		ET-PG-193813		ET-PT-193813	M1938		1938 PL	
190 x 380 x 180	ET-AG-193818		ET-AT-193818		ET-PG-193818		ET-PT-193818	M1938		1938 PL	
280 x 280 x 130	ET-AG-282813		ET-AT-282813		ET-PG-282813		ET-PT-282813	M2828		2828 PL	
280 x 340 x 130	ET-AG-283413		ET-AT-283413		ET-PG-283413		ET-PT-283413	M2834		2834 PL	
280 x 380 x 130	ET-AG-283813		ET-AT-283813		ET-PG-283813		ET-PT-283813	M2838		2838 PL	
280 x 380 x 180	ET-AG-283818		ET-AT-283818		ET-PG-283818		ET-PT-283818	M2838		2838 PL	
280 x 560 x 130	ET-AG-285613		ET-AT-285613		ET-PG-285613		ET-PT-285613	B60.00		M2856	2828 PLx2
380 x 560 x 180	ET-AG-385618		ET-AT-385618		ET-PG-385618		ET-PT-385618		M3856	2838 PLx2	



Standard

■ Cover Screw 螺絲



CB28

Option

■ Mounting Bracket 固定架



B50 / B60

■ Mounting Plates 底板



Steel (Galvanization 鍍鋅) / Plastic (ABS)

Weatherproof enclosures

+ UV Resistant

+ Flame Resistant

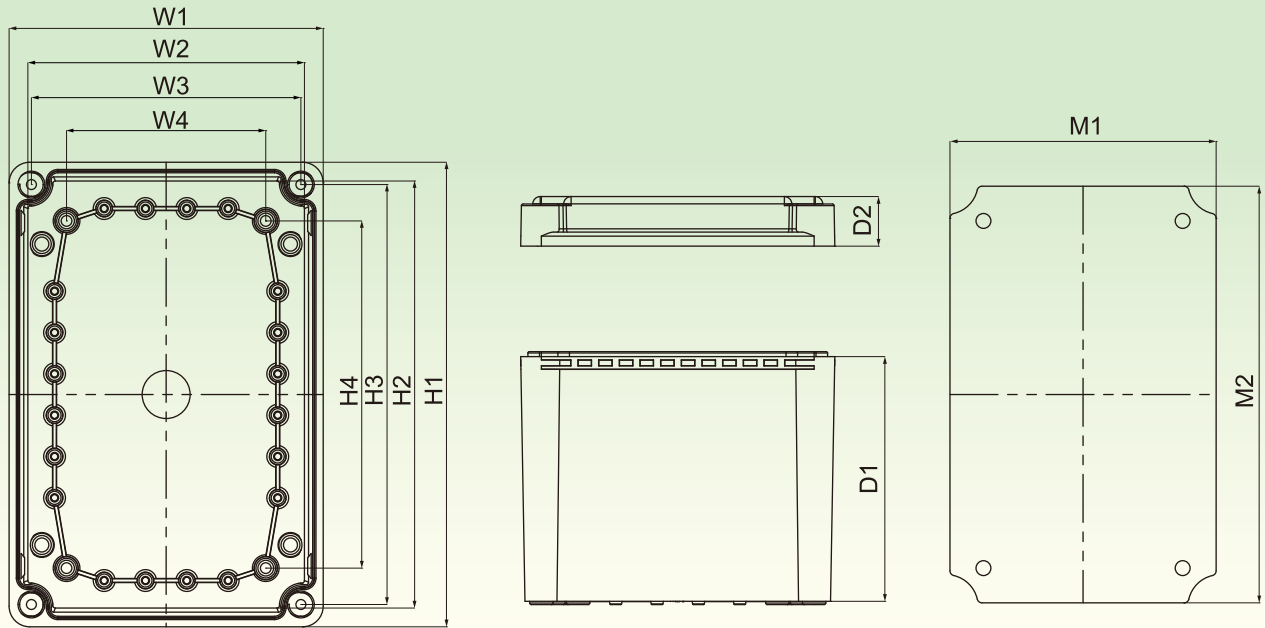
PROPERTY / 特性	Polycarbonate 聚碳酸酯(PC)	
Color 標準顏色	Gray(RAL 7035) / 淺灰	Transparency / 無色透明
Temperature 溫度範圍	-40°C ~ + 80°C (up to 100°C < 1 HR)	
Ingress protection 防護等級 (IEC 60529)	IP 68	
Impact protection 撞擊防護等級	IK 08 / 10	
Flammability 耐燃等級	UL94 V-0, 5VA	
UV resistance 抗紫外線	UL746C (f1), △E9.07 @1000 HR	UL746C (f1), △E5.8 @1000 HR
Salt spray 鹽霧測試(IEC 60068-2)	Pass (1344 HR)	
Non-toxic products 無毒產品	Halogen free 無鹵素	
Insulation 絕緣	☐ 完全絕緣	
Gasket material 密封圈材質	Polyurethane foam 聚氨酯	



■ Option 選配

UV / Flame Resistant 耐燃/耐候開關箱

Dimensions W x H x D (Cover included)	PCG		PCT		Mounting bracket	Mounting plate	
	Body PC	Cover PC	Body PC	Cover PC		Steel	Plastic
	Gray cover		Transparent cover			1.6mm	> 3mm
190 x 190 x 130	ET-PCG-191913		ET-PCT-191913		B50.03	M1919	1919 PL
190 x 280 x 130	ET-PCG-192813		ET-PCT-192813			M1928	1928 PL
190 x 280 x 180	ET-PCG-192818		ET-PCT-192818			M1928	1928 PL
190 x 380 x 130	ET-PCG-193813		ET-PCT-193813			M1938	1938 PL
190 x 380 x 180	ET-PCG-193818		ET-PCT-193818			M1938	1938 PL
280 x 280 x 130	ET-PCG-282813		ET-PCT-282813			M2828	2828 PL
280 x 340 x 130	ET-PCG-283413		ET-PCT-283413			M2834	2834 PL
280 x 380 x 130	ET-PCG-283813		ET-PCT-283813			M2838	2838 PL
280 x 380 x 180	ET-PCG-283818		ET-PCT-283818			M2838	2838 PL
280 x 560 x 130	ET-PCG-285613		ET-PCT-285613		B60.07	M2856	2828 PL x 2
380 x 560 x 180	ET-PCG-385618		ET-PCT-385618			M3856	2838 PL x 2

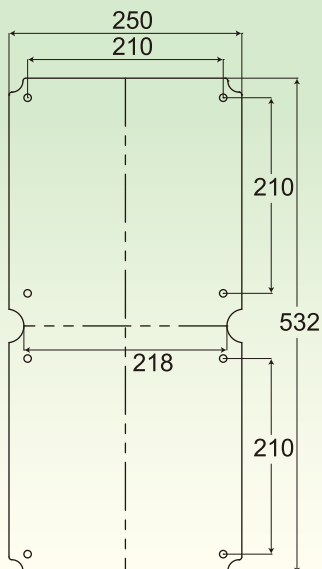


Dimensions (mm)

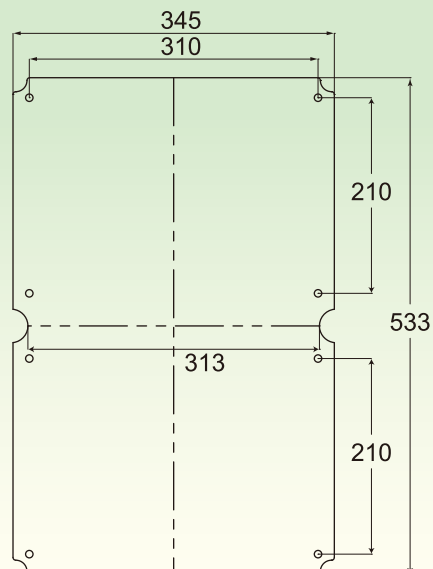
Tolerance: $\pm 1.0\text{mm}$

Model	W x H x D	W1	W2	W3	W4	H1	H2	H3	H4	D1	D2	Steel Plate		Plastic Plate	
												M1	M2	M1	M2
ET-□□-191913	190 x 190 x 130	190	170	165	120	190	170	165	120	98	30	161	161	159	159
ET-□□-192813	190 x 280 x 130	190	167	165	120.5	281	258	256	210	98	30	161	251.5	161	252
ET-□□-192818	190 x 280 x 180	190	165.3	165	120.5	281	256.3	256	210	148	30	161	251.5	161	252
ET-□□-193813	190 x 380 x 130	190	167.5	165	120	380	357.5	355	310	100	30	161	353.5	159	348
ET-□□-193818	190 x 380 x 180	190	165.8	165	120	380	355.8	355	310	150	30	161	353.5	159	348
ET-□□-282813	280 x 280 x 130	280	257.5	255	210	280	257.5	255	210	100	30	251	251.5	249	249
ET-□□-283413	280 x 340 x 130	280	257.5	255	210	340	317.5	315	270	100	30	251.2	312.5	249	309
ET-□□-283813	280 x 380 x 130	280	256	255	210.2	380	356	355	310	98	30	252	353.3	248	347.5
ET-□□-283818	280 x 380 x 180	280	254.3	255	210.2	380	354.3	355	310	148	30	252	353.3	248	347.5
ET-□□-285613	280 x 560 x 130	280	255.5	255	210	560	535.5	535	490	100	30	250	532		
ET-□□-385618	380 x 560 x 180	380	353.8	355	310	560	533.8	535	490	150	30	345	533		

Steel plate M2856



Steel plate M3856



Special features of ES series ES系列特點

- IP68
- Optional mounting plates (plastic / steel)
- Mounting boss screws included for bosses with brass inserts
- Captive cover screws
- Fixing enclosures with brackets (304 stainless steel or plastic) or driving M4 screws on four holes directly.
- 防護等級: IP68
- 塑膠底板及鐵底板可供選擇
- 防脫落盒蓋螺絲
- 開關箱裡面底部有許多固定孔適合多重應用及組合
- 固定開關箱的方式可藉由M4攻牙螺絲直接固定於4個孔上或也可運用配件中304不鏽鋼的固定架B40或塑膠材質PB30



ES Knockouts / 預留孔

Option 選配

Dimensions W x H x D (Cover included)	AG		AT		PG		PT		Mounting bracket	Mounting plate	
	Body ABS	Cover ABS	Body ABS	Cover PC	Body PC+ABS	Cover PC+ABS	Body PC+ABS	Cover PC		Steel	Plastic
	Gray cover		Transparent cover		Gray cover		Transparent cover			1.6mm	> 3mm
125 x 175 x 75	ES-AG-121707O		ES-AT-121707O		ES-PG-121707O		ES-PT-121707O		B40.01 / PB30.01	M1217	1217 PL
125 x 175 x 75	ES-AG-121707		ES-AT-121707		ES-PG-121707		ES-PT-121707	M1217		1217 PL	
125 x 175 x 100	ES-AG-121710O		ES-AT-121710O		ES-PG-121710O		ES-PT-121710O	M1217		1217 PL	
125 x 175 x 100	ES-AG-121710		ES-AT-121710		ES-PG-121710		ES-PT-121710	M1217		1217 PL	
175 x 250 x 75	ES-AG-172507O		ES-AT-172507O		ES-PG-172507O		ES-PT-172507O	M1725		1725 PL	
175 x 250 x 75	ES-AG-172507		ES-AT-172507		ES-PG-172507		ES-PT-172507	M1725		1725 PL	
175 x 250 x 100	ES-AG-172510O		ES-AT-172510O		ES-PG-172510O		ES-PT-172510O	M1725		1725 PL	
175 x 250 x 100	ES-AG-172510		ES-AT-172510		ES-PG-172510		ES-PT-172510	M1725		1725 PL	

*O : Knockouts 有預留孔

Standard

Cover Screw 螺絲



CB20

CB35

CB50

Option

Mounting Bracket 固定架



B40.01

PB30.01

Mounting Plates 底板


 Steel (Galvanization 鍍鋅) /
Plastic (ABS)



ES series models

Option 選配

Dimensions W x H x D (Cover included)	AG		AT		PG		PT		Mounting bracket	Mounting plate	
	Body ABS	Cover ABS	Body ABS	Cover PC	Body PC+ABS	Cover PC+ABS	Body PC+ABS	Cover PC		Steel	Plastic
	Gray cover		Transparent cover		Gray cover		Transparent cover			1.6mm	> 3mm
65 x 95 x 55	ES-AG-060905		ES-AT-060905		ES-PG-060905		ES-PT-060905		M0609		
75 x 105 x 55	ES-AG-071005		ES-AT-071005		ES-PG-071005		ES-PT-071005		M0710		
80 x 80 x 60	ES-AG-080806		ES-AT-080806		ES-PG-080806		ES-PT-080806		M0808		
80 x 110 x 50	ES-AG-081105		ES-AT-081105		ES-PG-081105		ES-PT-081105		M0811		
80 x 110 x 70	ES-AG-081107		ES-AT-081107		ES-PG-081107		ES-PT-081107		M0811		
80 x 110 x 85	ES-AG-081108		ES-AT-081108		ES-PG-081108		ES-PT-081108		M0811		
80 x 130 x 70	ES-AG-081307		ES-AT-081307		ES-PG-081307		ES-PT-081307		M0813	0813 PL	
80 x 130 x 85	ES-AG-081308		ES-AT-081308		ES-PG-081308		ES-PT-081308		M0813	0813 PL	
80 x 160 x 55	ES-AG-081605		ES-AT-081605		ES-PG-081605		ES-PT-081605		M0816	0816 PL	
80 x 160 x 85	ES-AG-081608		ES-AT-081608		ES-PG-081608		ES-PT-081608		M0816	0816 PL	
80 x 180 x 70	ES-AG-081807		ES-AT-081807		ES-PG-081807		ES-PT-081807		M0818	0818 PL	
80 x 180 x 85	ES-AG-081808		ES-AT-081808		ES-PG-081808		ES-PT-081808		M0818	0818 PL	
80 x 250 x 70	ES-AG-082507		ES-AT-082507		ES-PG-082507		ES-PT-082507		M0825		
80 x 250 x 85	ES-AG-082508		ES-AT-082508		ES-PG-082508		ES-PT-082508		M0825		
100 x 100 x 75	ES-AG-101007		ES-AT-101007		ES-PG-101007		ES-PT-101007		M1010	1010 PL	
100 x 100 x 100	ES-AG-101010		ES-AT-101010		ES-PG-101010		ES-PT-101010	B40.01 / PB30.01	M1010	1010 PL	
100 x 185 x 70	ES-AG-101807		ES-AT-101807		ES-PG-101807		ES-PT-101807		M1018	1018 PL	
100 x 200 x 70	ES-AG-102007		ES-AT-102007		ES-PG-102007		ES-PT-102007		M1020	1020 PL	
100 x 230 x 70	ES-AG-102307		ES-AT-102307		ES-PG-102307		ES-PT-102307		M1023		
125 x 125 x 75	ES-AG-121207		ES-AT-121207		ES-PG-121207		ES-PT-121207		M1212	1212 PL	
125 x 125 x 100	ES-AG-121210		ES-AT-121210		ES-PG-121210		ES-PT-121210		M1212	1212 PL	
140 x 170 x 95	ES-AG-141709		ES-AT-141709		ES-PG-141709		ES-PT-141709		M1417	1417 PL	
140 x 230 x 95	ES-AG-142309		ES-AT-142309		ES-PG-142309		ES-PT-142309		M1423	1423 PL	
150 x 150 x 75	ES-AG-151507		ES-AT-151507		ES-PG-151507		ES-PT-151507		M1515	1515 PL	
150 x 150 x 100	ES-AG-151510		ES-AT-151510		ES-PG-151510		ES-PT-151510		M1515	1515 PL	
150 x 200 x 75	ES-AG-152007		ES-AT-152007		ES-PG-152007		ES-PT-152007		M1520	1520 PL	
150 x 200 x 100	ES-AG-152010		ES-AT-152010		ES-PG-152010		ES-PT-152010		M1520	1520 PL	
150 x 200 x 130	ES-AG-152013		ES-AT-152013		ES-PG-152013		ES-PT-152013		M1520	1520 PL	
150 x 200 x 160	ES-AG-152016		ES-AT-152016		ES-PG-152016		ES-PT-152016		M1520	1520 PL	
150 x 250 x 100	ES-AG-152510		ES-AT-152510		ES-PG-152510		ES-PT-152510		M1525	1525 PL	
150 x 250 x 130	ES-AG-152513		ES-AT-152513		ES-PG-152513		ES-PT-152513		M1525	1525 PL	
160 x 160 x 70	ES-AG-161607		ES-AT-161607		ES-PG-161607		ES-PT-161607		M1616	1616 PL	
200 x 200 x 100	ES-AG-202010		ES-AT-202010		ES-PG-202010		ES-PT-202010		M2121	2020 PL	
200 x 200 x 130	ES-AG-202013		ES-AT-202013		ES-PG-202013		ES-PT-202013		M2121	2020 PL	
200 x 200 x 160	ES-AG-202016		ES-AT-202016		ES-PG-202016		ES-PT-202016		M2121	2020 PL	

Weatherproof enclosures

+ UV Resistant

+ Flame Resistant



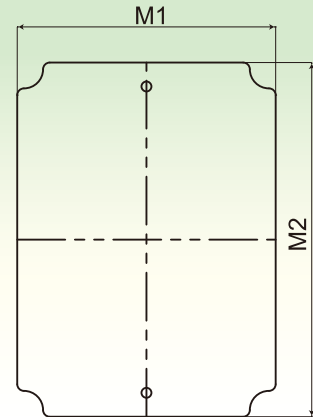
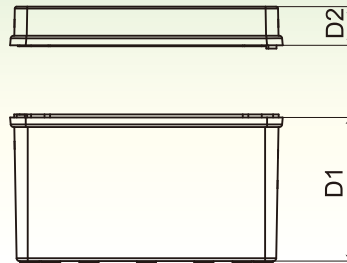
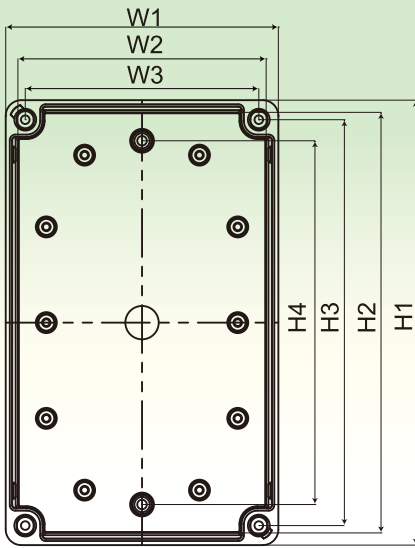
PROPERTY / 特性	Polycarbonate 聚碳酸酯(PC)	
Color 標準顏色	Gray(RAL 7035) / 淺灰	Transparency / 無色透明
Temperature 溫度範圍	-40°C ~ + 80°C (up to 100°C < 1 HR)	
Ingress protection 防護等級 (IEC 60529)	IP 68	
Impact protection 撞擊防護等級	IK 08 / 10	
Flammability 耐燃等級	UL94 V-0, 5VA	
UV resistance 抗紫外線	UL746C (f1), △E9.07 @1000 HR	UL746C (f1), △E6.18 @1000 HR
Salt spray 鹽霧測試 (IEC 60068-2)	Pass (1344 HR)	
Non-toxic products 無毒產品	Halogen free 無鹵素	
Insulation 絕緣	回 完全絕緣	
Gasket material 密封圈材質	Polyurethane foam 聚氨酯	



UV / Flame Resistant 耐燃/耐候開關箱

■ Option 選配

Dimensions W x H x D (Cover included)	PCG		PCT		Mounting bracket	Mounting plate	
	Body PC	Cover PC	Body PC	Cover PC		Steel	Plastic
	Gray cover		Transparent cover			1.6mm	> 3mm
65 x 95 x 55	ES-PCG-060905		ES-PCT-060905		B40.04 / PB30	M0609	
75 x 105 x 55	ES-PCG-071005		ES-PCT-071005			M0710	
80 x 80 x 60	ES-PCG-080806		ES-PCT-080806			M0808	
80 x 110 x 50	ES-PCG-081105		ES-PCT-081105			M0811	
80 x 110 x 70	ES-PCG-081107		ES-PCT-081107			M0811	
80 x 110 x 85	ES-PCG-081108		ES-PCT-081108			M0811	
80 x 130 x 70	ES-PCG-081307		ES-PCT-081307			M0813	0813 PL
80 x 130 x 85	ES-PCG-081308		ES-PCT-081308			M0813	0813 PL
80 x 160 x 55	ES-PCG-081605		ES-PCT-081605			M0816	0816 PL
80 x 160 x 85	ES-PCG-081608		ES-PCT-081608			M0816	0816 PL
80 x 180 x 70	ES-PCG-081807		ES-PCT-081807			M0818	0818 PL
80 x 180 x 85	ES-PCG-081808		ES-PCT-081808			M0818	0818 PL
80 x 250 x 70	ES-PCG-082507		ES-PCT-082507			M0825	
80 x 250 x 85	ES-PCG-082508		ES-PCT-082508			M0825	
100 x 100 x 75	ES-PCG-101007		ES-PCT-101007			M1010	1010 PL
100 x 100 x 100	ES-PCG-101010		ES-PCT-101010			M1010	1010 PL
100 x 185 x 70	ES-PCG-101807		ES-PCT-101807			M1018	1018 PL
100 x 200 x 70	ES-PCG-102007		ES-PCT-102007			M1020	1020 PL
100 x 230 x 70	ES-PCG-102307		ES-PCT-102307			M1023	
125 x 125 x 75	ES-PCG-121207		ES-PCT-121207			M1212	1212 PL
125 x 125 x 100	ES-PCG-121210		ES-PCT-121210			M1212	1212 PL
125 x 175 x 75	ES-PCG-121707		ES-PCT-121707			M1217	1217 PL
125 x 175 x 100	ES-PCG-121710		ES-PCT-121710			M1217	1217 PL
140 x 170 x 95	ES-PCG-141709		ES-PCT-141709			M1417	1417 PL
140 x 230 x 95	ES-PCG-142309		ES-PCT-142309			M1423	1423 PL
150 x 150 x 75	ES-PCG-151507		ES-PCT-151507			M1515	1515 PL
150 x 150 x 100	ES-PCG-151510		ES-PCT-151510			M1515	1515 PL
150 x 200 x 75	ES-PCG-152007		ES-PCT-152007			M1520	1520 PL
150 x 200 x 100	ES-PCG-152010		ES-PCT-152010			M1520	1520 PL
150 x 200 x 130	ES-PCG-152013		ES-PCT-152013			M1520	1520 PL
150 x 200 x 160	ES-PCG-152016		ES-PCT-152016			M1520	1520 PL
150 x 250 x 100	ES-PCG-152510		ES-PCT-152510			M1525	1525 PL
150 x 250 x 130	ES-PCG-152513		ES-PCT-152513			M1525	1525 PL
160 x 160 x 70	ES-PCG-161607		ES-PCT-161607			M1616	1616 PL
170 x 250 x 75	ES-PCG-172507		ES-PCT-172507			M1725	1725 PL
170 x 250 x 100	ES-PCG-172510		ES-PCT-172510			M1725	1725 PL
200 x 200 x 100	ES-PCG-202010		ES-PCT-202010			M2121	2020 PL
200 x 200 x 130	ES-PCG-202013		ES-PCT-202013			M2121	2020 PL
200 x 200 x 160	ES-PCG-202016		ES-PCT-202016			M2121	2020 PL

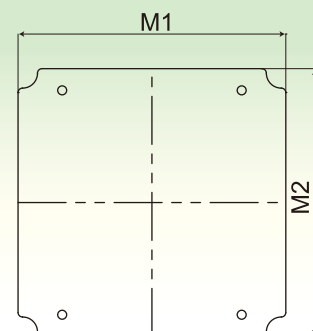
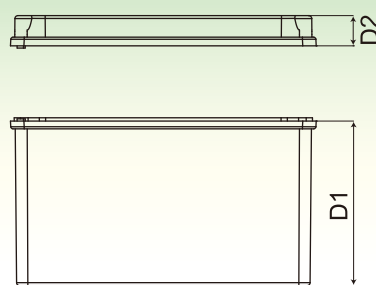
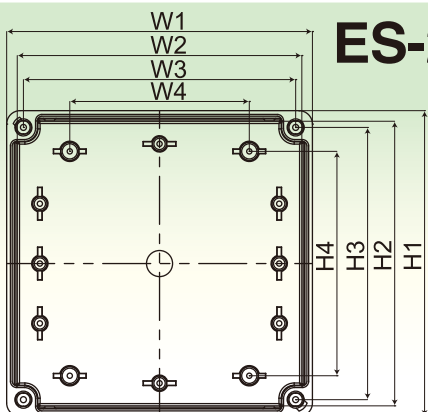


Dimensions (mm)

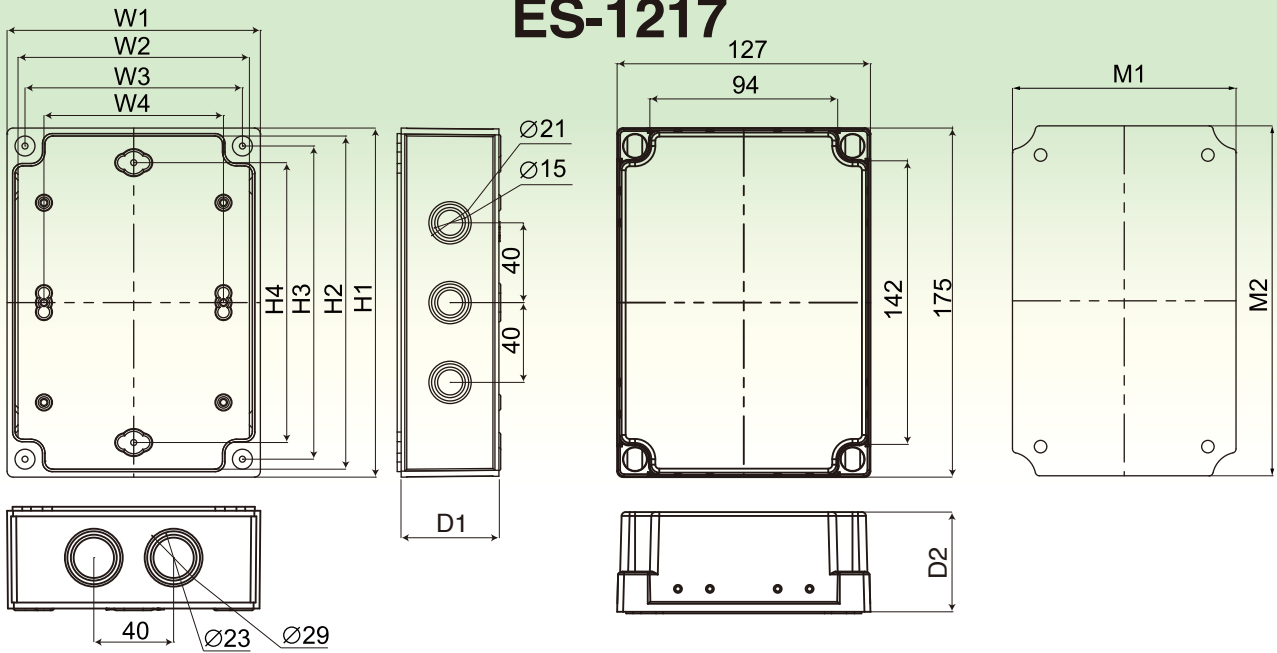
Tolerance: ±1.0mm

Model	W x H x D	W1	W2	W3	W4	H1	H2	H3	H4	D1	D2	Steel Plate		Plastic Plate	
												M1	M2	M1	M2
ES-□□-060905	65 x 95 x 55	67.5	57.5	47		97.5	87.5	77	65	40	15.2	54	84		
ES-□□-071005	75 x 105 x 55	77.5	67.5	57		107.5	97.5	87	75	40	15.2	66	93		
ES-□□-080806	80 x 80 x 60	82.5	72.3	62		82.5	72.3	62	50	45	15.2	68	68		
ES-□□-081105	80 x 110 x 50	80.3	70.4	62		110.7	100.8	92	80	30	20	68.5	98.5		
ES-□□-081107	80 x 110 x 70	80.2	67.7	62		110.7	99.9	92	80	50	20	68.5	98.5		
ES-□□-081108	80 x 110 x 85	80.2	67.7	62		110.7	99.9	92	80	50	35	68.5	98.5		
ES-□□-081307	80 x 130 x 70	80.3	67.8	62.8		130.5	119.5	113	99.7	50	20	65	116	68.5	119
ES-□□-081308	80 x 130 x 85	80.3	67.8	62.8		130.5	119.5	113	99.7	50	35	65	116	68.5	119
ES-□□-081605	80 x 160 x 55	84.4	73.9	68		164.2	153.7	148	137	40	15.2	64.9	150.2	68.5	149
ES-□□-081608	80 x 160 x 85	84.4	72.9	68		164.2	152.7	148	137	70	15.2	64.9	150.2	68.5	149
ES-□□-081807	80 x 180 x 70	80.3	70.2	62		180	169.9	161.7	148	50	20	65.8	165.8	68.5	169
ES-□□-081808	80 x 180 x 85	80.3	70.2	62		180	169.9	161.7	148	50	35	65.8	165.8	68.5	169
ES-□□-082507	80 x 250 x 70	80	69.7	62		250	239.7	232	218	50	20	65	234.5		
ES-□□-082508	80 x 250 x 85	80	69.7	62		250	239.7	232	218	50	35	65	234.5		
ES-□□-101007	100 x 100 x 75	102.5	92.4	82		102.5	92.4	82	60	55	20	81.7	81.3	86	86
ES-□□-101010	100 x 100 x 100	102.5	91.5	82		102.5	91.5	82	60	80	20	81.7	81.3	86	86
ES-□□-101807	100 x 185 x 70	100	91.9	82		185	176.9	167	138	54	16	79.5	164	80	164
ES-□□-102007	100 x 200 x 70	102.5	92	82		202.5	192	182	158	55	15.2	80	183	80	183
ES-□□-102307	100 x 230 x 70	100	89.2	82		230	219.2	212	184	54	15.4	80	210		
ES-□□-121207	125 x 125 x 75	125.2	113.7	105		125.2	113.7	105	70	55	20	101.7	101.4	107	107
ES-□□-121210	125 x 125 x 100	125.2	112.3	105		125.2	112.3	105	70	80	20	101.7	101.4	107	107
ES-□□-141709	140 x 170 x 95	143	131.1	122		173	161.1	152	131.3	75	20	125.5	155.5	125.5	155.5
ES-□□-142309	140 x 230 x 95	142.4	129.7	122		232.4	219.7	212	190	75	20.2	121.8	212.7	122	213
ES-□□-151507	150 x 150 x 75	154.4	141.2	132		154.4	141.2	132	110	55	20.2	124.9	124.2	123	123
ES-□□-151510	150 x 150 x 100	154.4	140.8	132		154.4	140.8	132	110	80	20.2	124.9	124.2	123	123
ES-□□-152007	150 x 200 x 75	154.4	141.2	132		204.4	191.2	182	160	55	20.2	136	183	135	185
ES-□□-152010	150 x 200 x 100	154.4	140.8	132		204.4	190.8	182	160	80	20.2	136	183	135	185
ES-□□-152013	150 x 200 x 130	154.4	140.3	132		204.4	190.3	182	160	110	20.2	136	183	135	185
ES-□□-152016	150 x 200 x 160	154.4	140.3	132		204.4	190.3	182	160	110	50.2	136	183	135	185
ES-□□-152510	150 x 250 x 100	150	139.8	131.9		250	239.8	231.9	208	80	20	134	234	135	235
ES-□□-152513	150 x 250 x 130	150	139.8	131.9		250	239.8	231.9	208	80	50	134	234	135	235
ES-□□-161607	160 x 160 x 70	162.5	152	142		162.5	152	142	120	55	15.2	145	145	144	144
ES-□□-202010	200 x 200 x 100	204.4	190.8	182	120	204.4	190.8	182	150	80	20.2	179	179	179	179
ES-□□-202013	200 x 200 x 130	204.4	190.3	182	120	204.4	190.3	182	150	110	20.2	179	179	179	179
ES-□□-202016	200 x 200 x 160	204.4	190.3	182	120	204.4	190.3	182	150	110	50.2	179	179	179	179

ES-202010~ES-202016



ES-1217

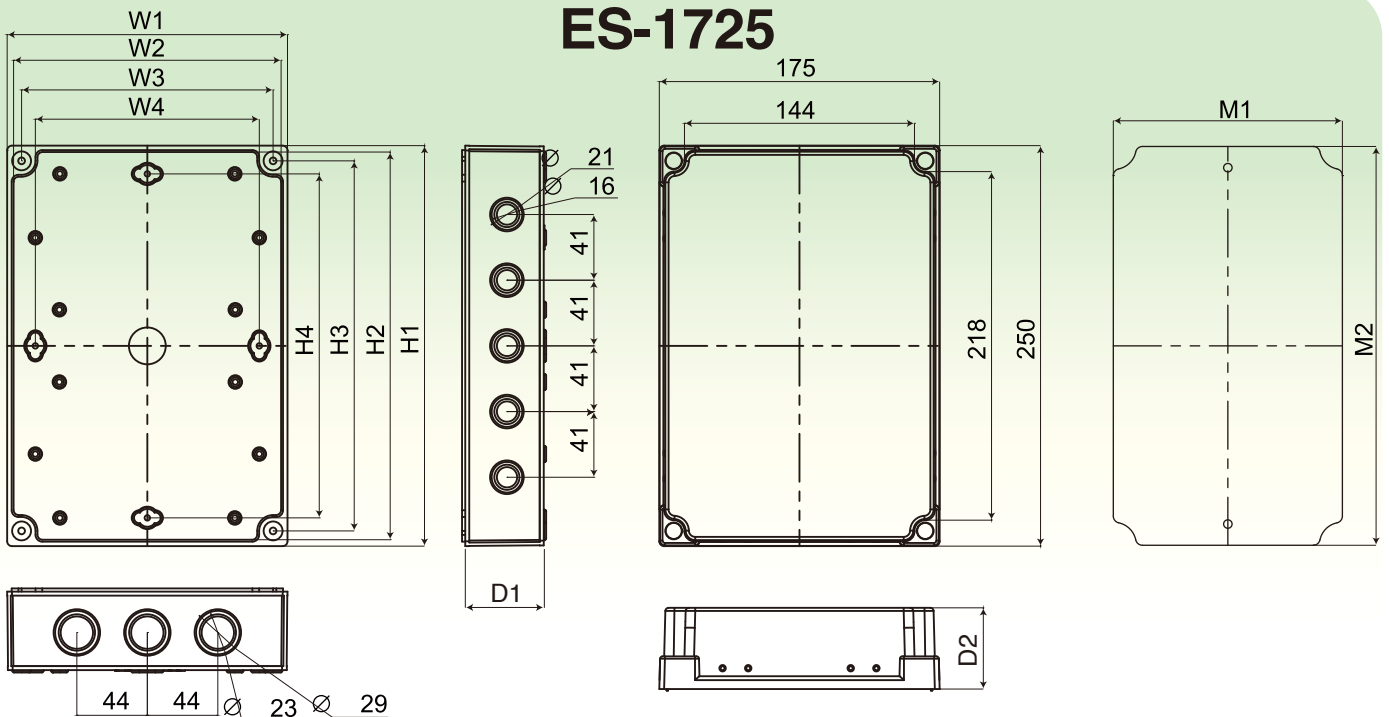


Dimensions (mm)

Tolerance: ±1.0mm

Model	W x H x D	W1	W2	W3	W4	H1	H2	H3	H4	D1	D2	Steel Plate		Plastic Plate	
												M1	M2	M1	M2
ES-□□-121707O	125 x 175 x 75	127	116	109	90	175	167	157	140.3	49	25	100.9	157.6	109	159
ES-□□-121707	125 x 175 x 75	127	116	109	90	175	167	157	140.3	49	25	100.9	157.6	109	159
ES-□□-121710O	125 x 175 x 100	127	116	109	90	175	167	157	140.3	49	50	100.9	157.6	109	159
ES-□□-121710	125 x 175 x 100	127	116	109	90	175	167	157	140.3	49	50	100.9	157.6	109	159

ES-1725



Dimensions (mm)

Tolerance: ±1.0mm




Model	W x H x D	W1	W2	W3	W4	H1	H2	H3	H4	D1	D2	Steel Plate		Plastic Plate	
												M1	M2	M1	M2
ES-□□-172507O	175 x 250 x 75	175	167	157	139.8	250	242	231	214.7	49	25.4	160	235	158	232
ES-□□-172507	175 x 250 x 75	175	167	157	139.8	250	242	231	214.7	49	25.4	160	235	158	232
ES-□□-172510O	175 x 250 x 100	175	167	157	139.8	250	242	231	214.7	49	50.7	160	235	158	232
ES-□□-172510	175 x 250 x 100	175	167	157	139.8	250	242	231	214.7	49	50.7	160	235	158	232

PB series models

Option 選配

Holes QTY.	ABS	PC	Dimensions	Cable Entry	Mounting bracket
1	ES-AG-080806	ES-PCG-080806	80 × 80 × 60	Ø20 × 1	B40.01 / PB30.01
2	ES-AG-081307	ES-PCG-081307	80 × 130 × 70		
	ES-AG-081308	ES-PCG-081308	80 × 130 × 85		
3	ES-AG-081807	ES-PCG-081807	80 × 180 × 70		
	ES-AG-081808	ES-PCG-081808	80 × 180 × 85		
4	ES-AG-082507	ES-PCG-082507	80 × 250 × 70		
	ES-AG-082508	ES-PCG-082508	81 × 250 × 85		
5	ES-AG-082507	ES-PCG-082507	80 × 250 × 70		
	ES-AG-082508	ES-PCG-082508	81 × 250 × 85		

	Material Model	Holes Ø22	Dimensions W x H x D (Cover included)	Cable entry	Mounting bracket
	<p>ABS ES-AG-080806-PB-221-H20</p> <p>PC ES-PCG-080806-PB-221-H20</p>	1	80 x 80 x 60	Ø20 x1	B40.01 / PB30.01
	<p>ABS ES-AG-081307-PB-222-H20 ES-AG-081308-PB-222-H20</p> <p>PC ES-PCG-081307-PB-222-H20 ES-PCG-081308-PB-222-H20</p>	2	80 x 130 x 70 80 x 130 x 85	Ø20 x1	

	Material Model	Holes Ø22	Dimensions W x H x D (Cover included)	Cable entry	Mounting bracket
	<p>ABS ES-AG-081807-PB-223-H20 ES-AG-081808-PB-223-H20</p> <p>PC ES-PCG-081807-PB-223-H20 ES-PCG-081808-PB-223-H20</p>	3	80 x 180 x 70 80 x 180 x 85	Ø20 x1	
	<p>ABS ES-AG-082507-PB-224-H20 ES-AG-082508-PB-224-H20</p> <p>PC ES-PCG-082507-PB-224-H20 ES-PCG-082508-PB-224-H20</p>	4	80 x 250 x 70 80 x 250 x 85	Ø20 x1	B40.01 / PB30.01
	<p>ABS ES-AG-082507-PB-225-H20 ES-AG-082508-PB-225-H20</p> <p>PC ES-PCG-082507-PB-225-H20 ES-PCG-082508-PB-225-H20</p>	5	80 x 250 x 70 80 x 250 x 85	Ø20 x1	

Caution



Driving the cover screws
鎖盒蓋螺絲注意事項

Do not drive the cover screws with the torque over 15 kgf·cm
請勿使用15 kgf·cm以上的扭力鎖盒蓋螺絲

Mounting holes
ES series : M4
ET series : M5



Foolproof
防呆



Cleaning with water only
僅能使用水清潔



Front / 正面



Rear / 背面



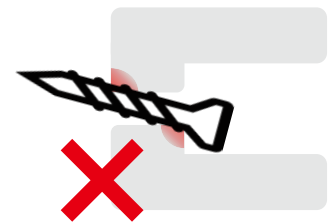
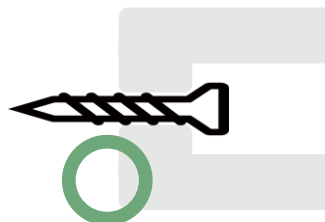
Foolproof
防呆



Wall mounting
固定盒體注意事項



1. No Tapping
嚴禁在箱體的
固定孔上攻牙



2. Make sure screws go straight through
the mounting holes
確保螺絲直直地穿過箱體固定孔，避免應力產生

ACCESSORIES

Mounting bracket for 固定架適用於	Part No. 型號	Description 描述	Packing 包裝數量/包
EN-101507 ~ 172711, EN-212110 ~ 212113	B40.00	B40 x 4 pcs 螺絲 Screw MT4-10T x 4 pcs	1
	PB30.00	PB30 x 4 pcs 螺絲 Screw MT4-10T x 4 pcs	1
EN-192810 ~ 353518	B50.00	B50 x 4 pcs 螺絲 Screw M5-10 x 4 pcs	1
EN-354512 ~ 406023	B60.00	B60 x 4 pcs 螺絲 Screw M5-10 x 4 pcs	1
EN-506018 ~ 507025	B60.01	B60 x 6 pcs 螺絲 Screw M5-10 x 6 pcs	1
ES Series	B40.01	B40 x 4 pcs 螺絲 Screw MT5-10T x 4 pcs	1
	PB30.01	PB30 x 4 pcs 螺絲 Screw MT5-10T x 4 pcs	1



■ B40



■ B50 / B60



■ PB30



■ CB20



■ CB35



■ CB50



■ CB28

Cover screw

Part No.	Description	Packing
CB20	For the 20 mm-height covers in ES series	4
CB35	For the 35 mm-height covers in ES series	4
CB50	For the 50 mm-height covers in ES series	4
CB28	For the covers ET-1919 ~ ET-2838	4
	For the covers ET-2856 ~ ET-3856	6

Din-rail screw

Part No.	Description	Packing
MT4-10T	ES series , EN-1015 ~ 1928, EN-2121	20 PCS
MT5-10T	EN-2030 ~ 5070, ET-1919 ~ 3856	20 PCS



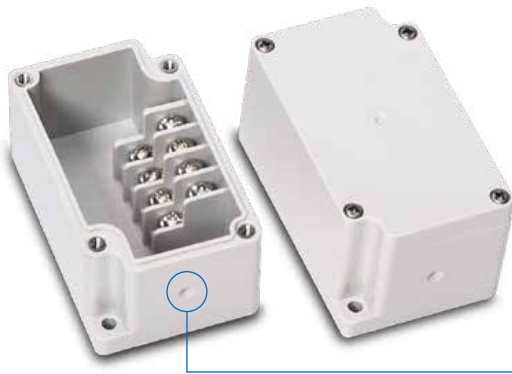


TECHNICAL INFORMATION

防水防塵保護等級

PROPERTY / 特性	ABS
Color / 標準顏色	Light gray (RAL 7035)
Temperature / 溫度範圍	-20°C ~ +70°C
Ingress protection / 防護等級 (IEC 60529)	IP 66
Flammability / 耐燃等級	UL94 V-0
Non-toxic products / 無毒產品	Halogen free 無鹵素
Insulation / 絕緣	回 完全絕緣
Gasket material / 密封圈材質	Polyurethane foam 聚氨酯

Part No.	Dimensions	Packing
AS15	100 x 100 x 60	102
AS25	150 x 110 x 70	50
AS35	190 x 140 x 70	32



TB-PG-4PH / 4PT / 4P / 6PH / 6PT / 6P / 10P

1. Fixed marks in the center of both narrow sides for drilling holes easily
2. The maximum diameter of hole is 21mm

接線盒較窄邊的兩側位於中心點位置標有記號以便於鑽孔，孔的最大尺寸為21毫米

TB-PG-4PH09 / 6PH09

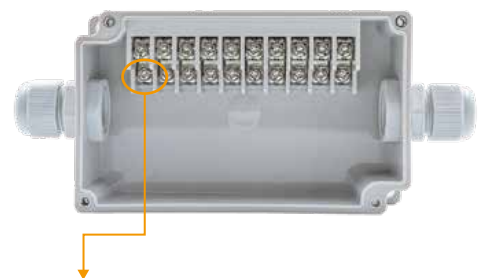
1. A cable gland of PG9 installed on each narrow side of standard model
2. Customized installing cable glands of PG7, PG11 or PG13.5

標準品的兩個窄面各有一個PG9電纜固定頭，可接受訂製安裝電纜固定頭PG7、PG11或PG13.5

TB-PG-10P11

1. A cable gland of PG11 installed on each narrow side of standard model
2. Customized installing cable glands of PG7, PG9 or PG13.5

標準品的兩個窄面各有一個PG11電纜固定頭，可接受訂製安裝電纜固定頭PG7、PG9或PG13.5



TB Series

- Rated Voltage / 額定電壓 : AC 400V
- Rated Current / 額定電流 : 15 A
- Applicable wire / 適用電線 : 0.75 ~ 1.5 mm²

TB series models

Option 選配

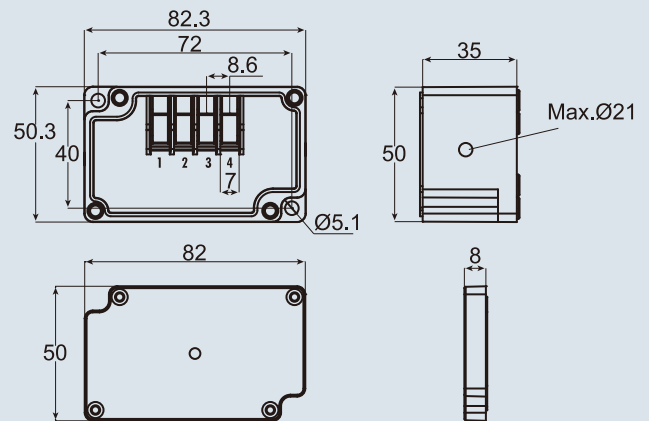
Number of Positions	AG		AG		PG		With Cable Gland	Mounting bracket
	Body & Cover ABS	Terminal Block PC / ABS	Body & Cover ABS	Terminal Block PA66	Body & Cover PC / ABS	Terminal Block PC / ABS		
	Gray (RAL 7035)		Gray (RAL 7035)		Gray (RAL 7035)			
4						TB-PG-4PH		—
4						TB-PG-4PH09	PG9 x2	
4						TB-PG-4PT		
4						TB-PG-4P		
6						TB-PG-6PH		
6						TB-PG-6PH09	PG9 x2	
6						TB-PG-6PT		
6						TB-PG-6P		
10						TB-PG-10P		
10						TB-PG-10P11	PG11 x2	
15	TB-AG-15PT					*TB-PG-15PT		B40.01 / PB30.01
15	TB-AG-15P					*TB-PG-15P		
20	TB-AG-20PT					*TB-PG-20PT		
20	TB-AG-20PA					*TB-PG-20PA		
20	TB-AG-20P					*TB-PG-20P		
20	TB-AG-20PTS					*TB-PG-20PTS		
Up to 43P				Customization				

*Non-Standard Product / 非標準品

Tolerance ± 1mm

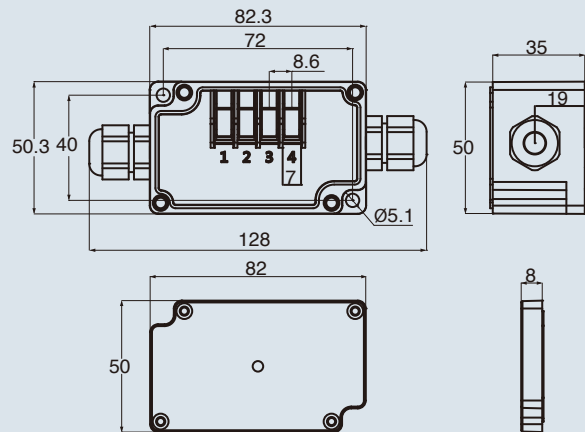
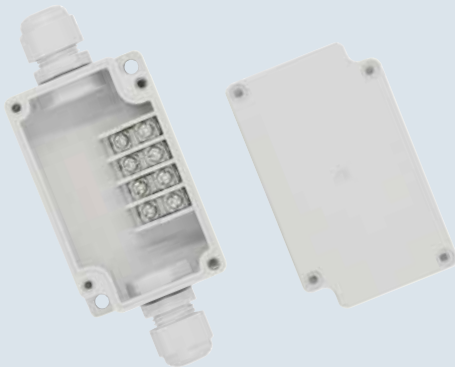
TB-PG-4PH

50(W) x 82(L) x 43(H)
(Cover included)



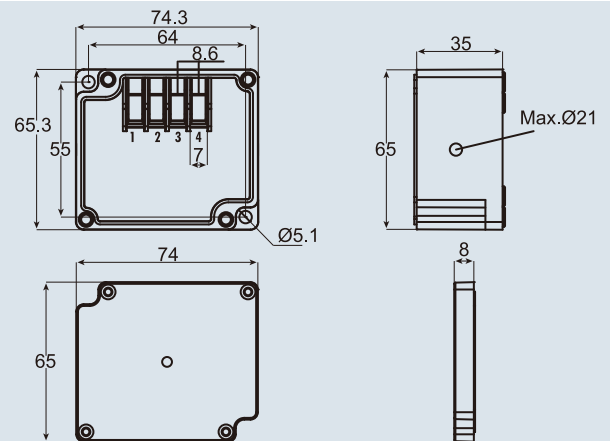
TB-PG-4PH09

50(W) x 128(L) x 43(H)
(Cover included)



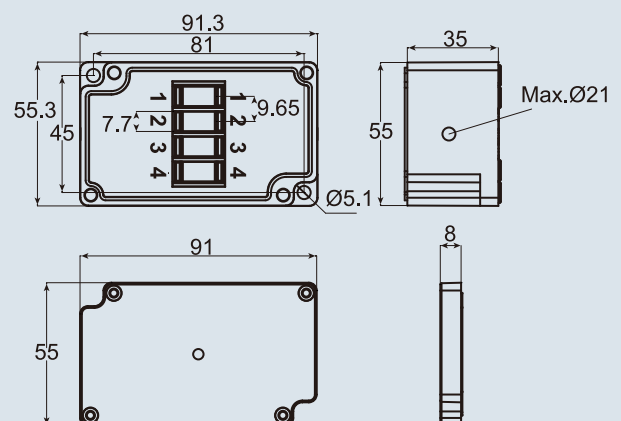
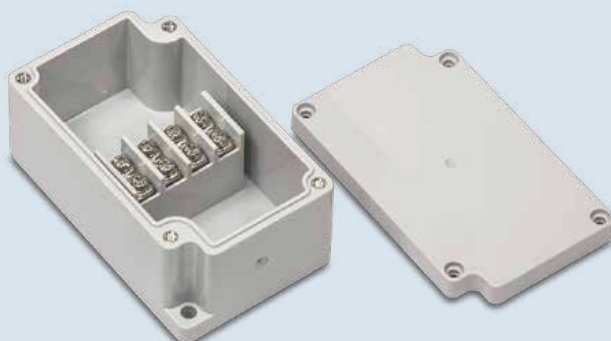
TB-PG-4PT

65(W) x 74(L) x 43(H)
(Cover included)



TB-PG-4P

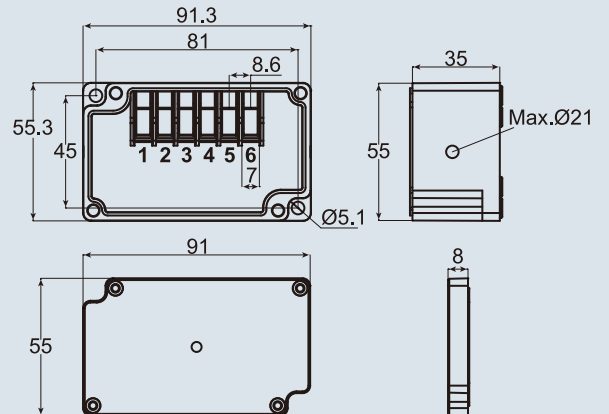
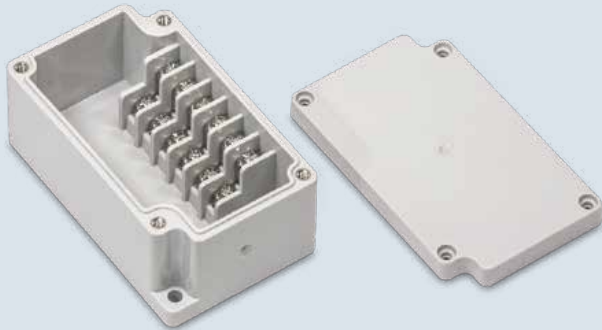
55(W) x 91(L) x 43(H)
(Cover included)



Tolerance ± 1mm

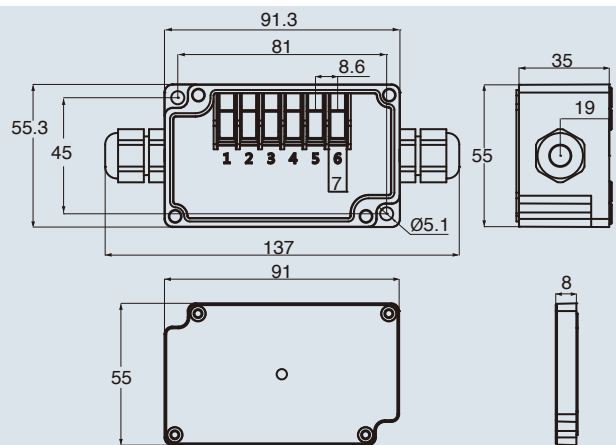
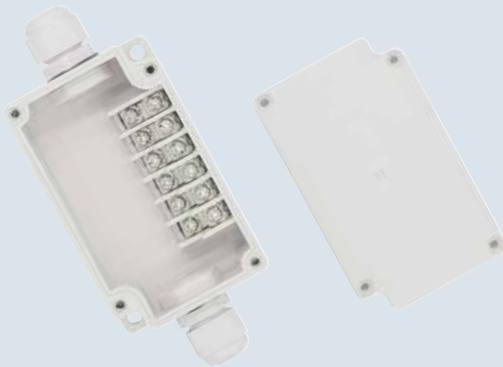
TB-PG-6PH

55(W) x 91(L) x 43(H)
(Cover included)



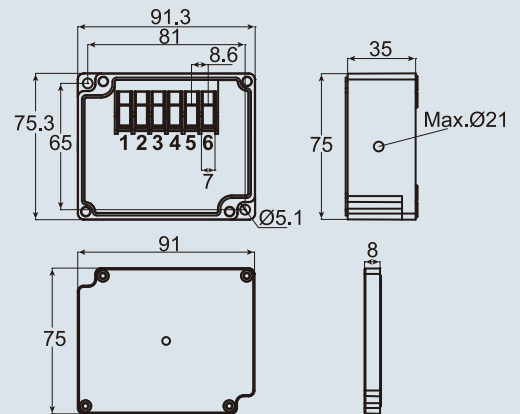
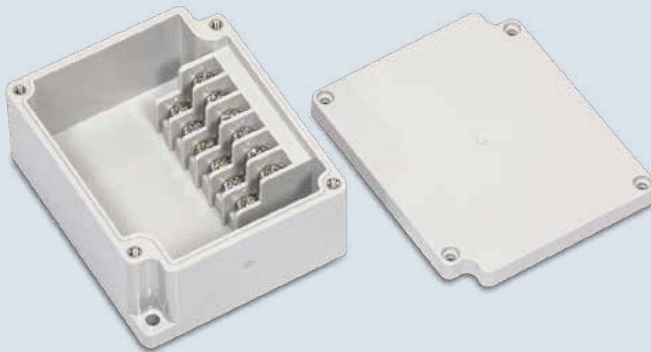
TB-PG-6PH09

55(W) x 137(L) x 43(H)
(Cover included)



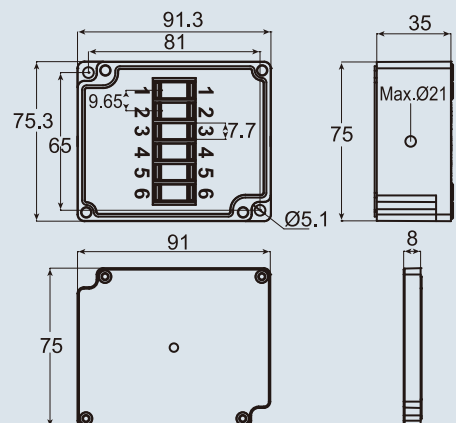
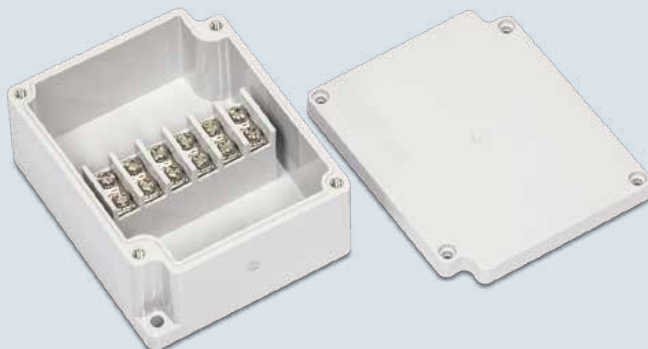
TB-PG-6PT

75(W) x 91(L) x 43(H)
(Cover included)



TB-PG-6P

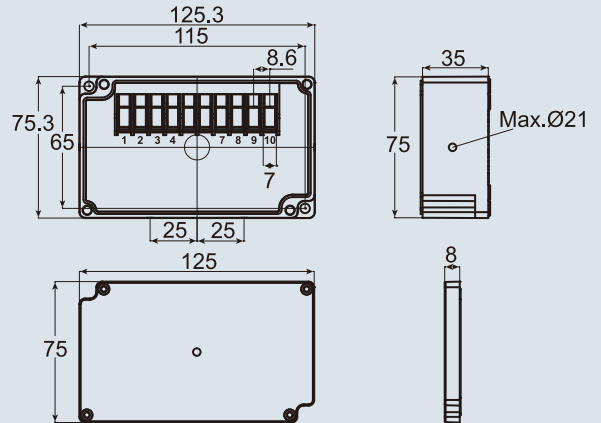
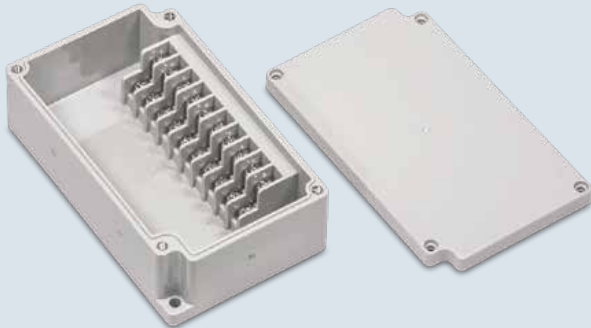
75(W) x 91(L) x 43(H)
(Cover included)



Tolerance ± 1mm

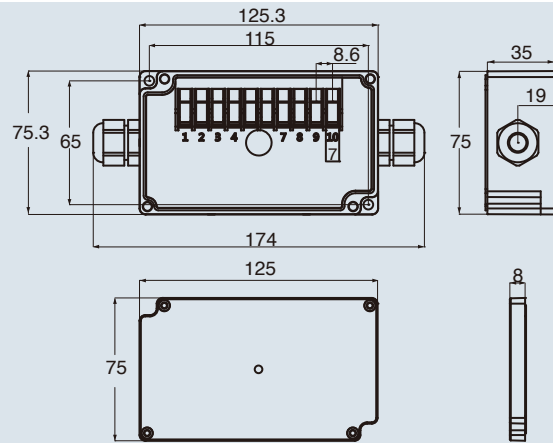
TB-PG-10P

75(W) x 125(L) x 43(H)
(Cover included)



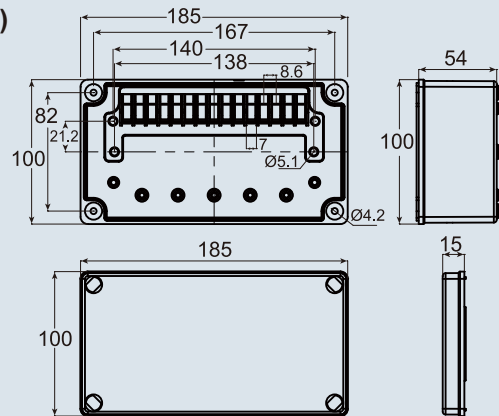
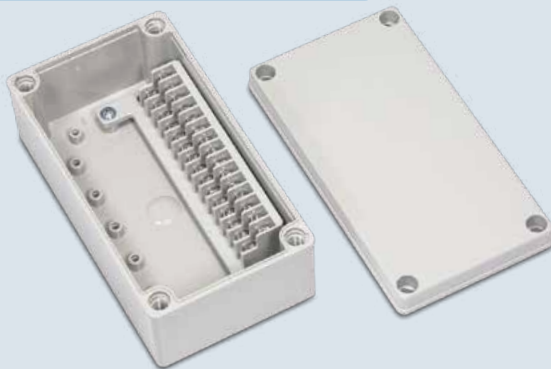
TB-PG-10P11

75(W) x 174(L) x 43(H)
(Cover included)



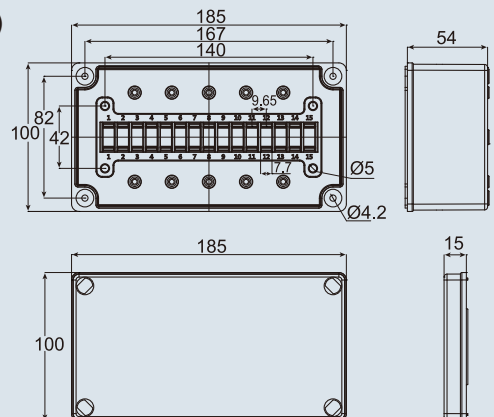
TB-AG-15PT / TB-PG-15PT

100(W) x 185(L) x 70(H)
(Cover included)



TB-AG-15P / TB-PG-15P

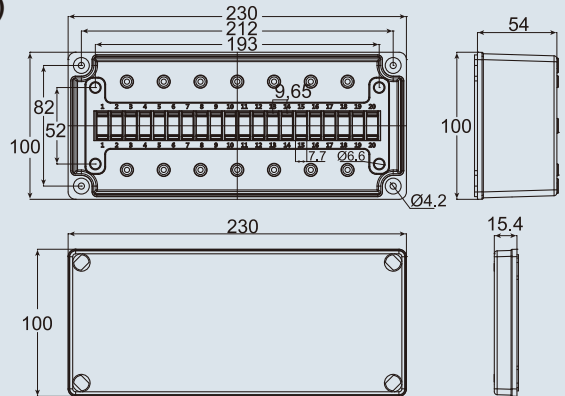
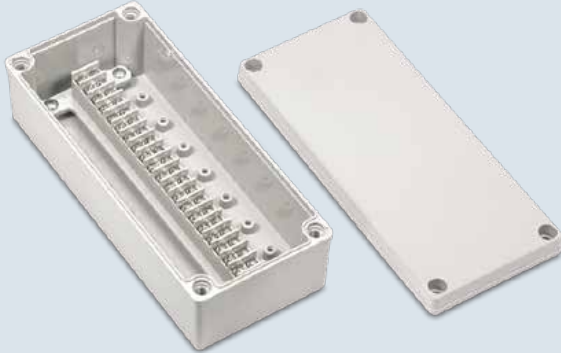
100(W) x 185(L) x 70(H)
(Cover included)



Tolerance ± 1mm

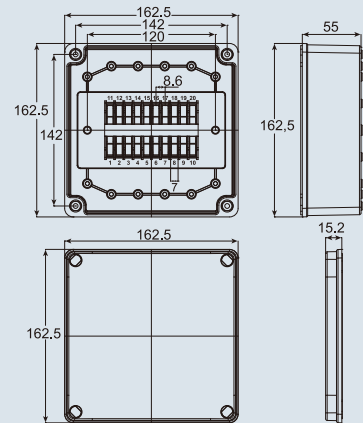
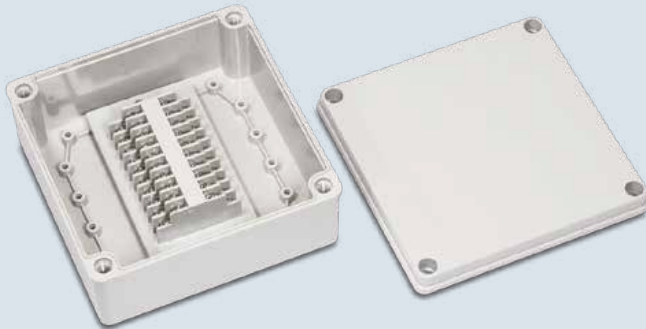
TB-AG-20PT / TB-PG-20PT

100(W) x 230(L) x 70(H)
(Cover included)



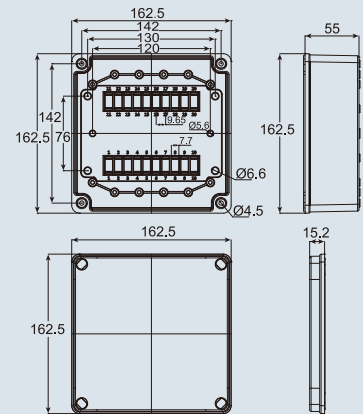
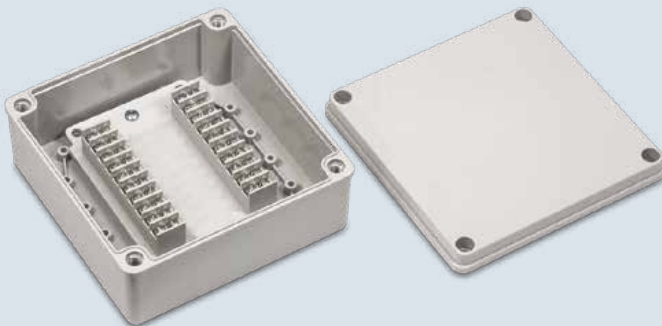
TB-AG-20PA / TB-PG-20PA

160(W) x 160(L) x 70(H)
(Cover included)



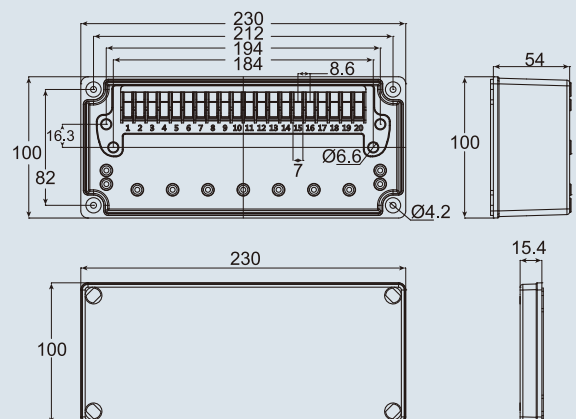
TB-AG-20P / TB-PG-20P

160(W) x 160(L) x 70(H)
(Cover included)



TB-AG-20PTS / TB-PG-20PTS


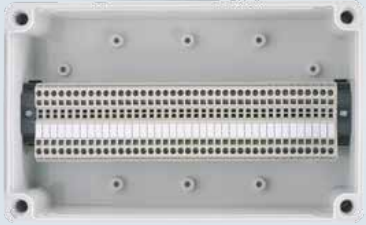

100(W) x 230(L) x 70(H)
(Cover included)





Customized Terminal Block Boxes

Option 選配

	Number of Positions (Maximum)		Dimensions W x H x D (Cover included)	Cable entry	Mounting bracket
	2.5 mm ²	4.0 mm ²			
	39P	30P	100 x 230 x 70	customization	B40.01 / PB30.01
	43P	36P	150 x 250 x 100	customization	
	customization		e-tan Boxes e-tan接線盒	customization	

PROPERTY / 特性	Box / 接線盒	Terminal Block / 端子台
Material / 材質	ABS	PA66
Ingress protection / 防護等級 (IEC 60529)	IP 68	
Impact protection / 撞擊防護等級	IK 08	
Color / 標準顏色	Light gray / 淺灰 (RAL 7035)	
Temperature / 溫度範圍	-40°C ~ + 60°C	-40°C ~ + 105°C
Flammability / 防火等級	UL 94-HB	UL 94 V-0
Applicable wire / 線徑 (Max.)	2.5 mm ² / 4.0mm ²	
Rated voltage / 額定電壓	AC 600V	
Rated current / 額定電流	18 / 20A	

How to order

TB-AG- P-

■ Number of positions

■ Applicable Wires (Max.)

E2.5 : 2.5mm²

E4.0 : 4.0mm²

Ventilator / 通風器

Features / 特色

- 安裝容易。
- IP54 - IP66防護等級。
- 提供開關箱裡面之電氣設備有良好之防水防塵保護。

- Easy installation.
- Ingress protection, IP54 - IP66.
- A high protection level from water and dust



Model / 型號 : VH84

Technical Data/ 技術規格	
Ingress protection/ 保護等級	IP55
Mounting/ 安裝孔徑	Ø37mm
Material/ 原料	PC 聚碳酸酯
Flammability / 阻燃等級	UL94 V-0
Temperature range/ 溫度範圍	-45~+70°C
Dimensions / 尺寸	Ø65.6x30.5mm
Orientation/ 安裝方向	Variable/沒有限制

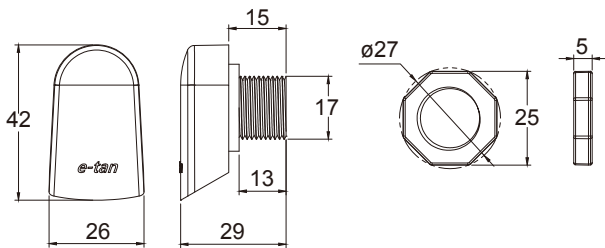


Model / 型號 : VH284

Technical Data/ 技術規格	
Ingress protection/ 保護等級	IP66
Mounting/ 安裝孔徑	Ø40.5mm
Material/ 原料	PC 聚碳酸酯
Flammability / 阻燃等級	UL94 V-0
Temperature range/ 溫度範圍	-45~+70°C
Dimensions / 尺寸	Ø60x37mm
Orientation/ 安裝方向	Variable/沒有限制



VH-40

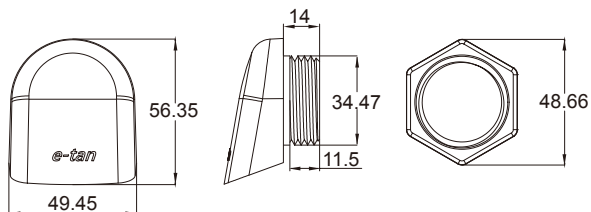


Model / 型號 : VH-40

Technical Data/ 技術規格

Ingress protection/ 保護等級	IP54
Mounting/ 安裝孔徑	Ø 17.5mm
Material/ 原料	PC 聚碳酸酯
Flammability / 阻燃等級	UL94 V-0
UV Resistant / 抗紫外線	UL746C (f1), ΔE9.07 @ 1000h
Temperature range / 溫度範圍	- 40°C ~ + 85 °C
Dimensions / 尺寸	26x42 mm
Orientation / 安裝方向	Downward / 向下

VH-50

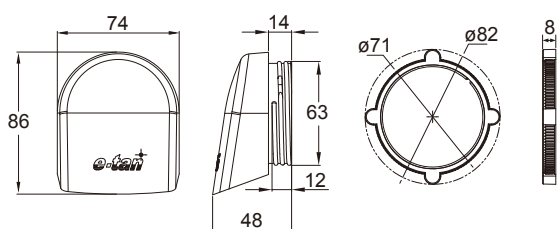


Model / 型號 : VH-50

Technical Data/ 技術規格

Ingress protection/ 保護等級	IP54
Mounting/ 安裝孔徑	Ø 34.5mm
Material/ 原料	PC 聚碳酸酯
Flammability / 阻燃等級	UL94 V-0
UV Resistant / 抗紫外線	UL746C (f1), ΔE9.07 @ 1000h
Temperature range / 溫度範圍	- 40°C ~ + 85 °C
Dimensions / 尺寸	50x56 mm
Orientation / 安裝方向	Downward / 向下

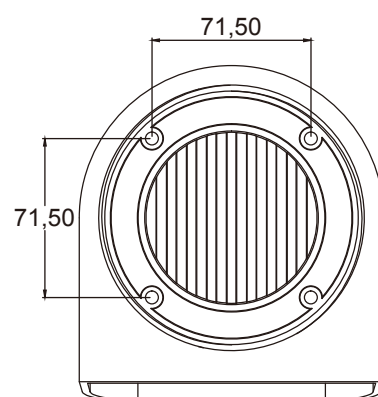
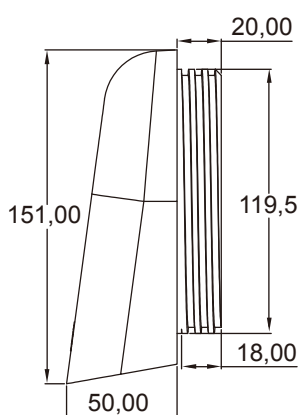
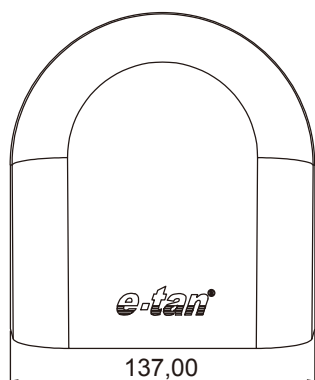
VH-60



Model / 型號 : VH-60

Technical Data/ 技術規格

Ingress protection/ 保護等級	IP54
Mounting/ 安裝孔徑	Ø 63mm
Material/ 原料	PC 聚碳酸酯
Flammability / 阻燃等級	UL94 V-0
UV Resistant / 抗紫外線	UL746C (f1), ΔE9.07 @ 1000h
Temperature range / 溫度範圍	- 40°C ~ + 85 °C
Dimensions / 尺寸	74x86 mm
Orientation / 安裝方向	Downward / 向下



Model / 型號 : VH-100

Technical Data / 技術規格	
Ingress protection / 保護等級	IP54
Mounting / 安裝孔徑	Ø 120mm
Material / 原料	PC 聚碳酸酯
Flammability / 阻燃等級	UL94 V-0
UV Resistant / 抗紫外線	UL746C (f1), ΔE9.07 @ 1000h
Temperature range / 溫度範圍	- 40°C ~ + 85 °C
Dimensions / 尺寸	137 x 151 mm
Orientation / 安裝方向	Downward / 向下
Dimensions of fan / 風扇尺寸	80 x 80 mm

- 內建濾網 Built-in filter

選配 Option : 風扇 Fan

Model	Voltage (V)	Frequency (Hz)	Current (A)	Power (W)	Speed (RPM)	Air Flow (CFM)
P1082HS	115	50/60	0.14/0.16	3.5/4.5	3300/3700	42/48
P2082HS	230	50/60	0.14/0.17	4/5.5	3700/4100	42/48



MAXPRO

ENCLOSURE SYSTEM



Made in Taiwan



Special features of MP series MP系列特點

- IP68
- There are 2 types of cam locks, PBL and PKL.
- There are opaque and transparent covers.
- Plastic plates and metal plates are optional.
- It's easy to fix enclosures with brackets of stainless 304.
- **We provide enclosures for special environments, such as coast, sea, beach or water treatment on request.**
- 防水等級:IP68
- 開關箱鎖頭可以使用2種鎖頭，PBL和 PKL
- 開關箱的門分透明跟不透明
- 安裝底板可選用鐵底板或塑料萬用板
- 不鏽鋼材質304的固定架可讓開關箱容易固定與安裝
- **如您有需求，我們可提供適用於特殊環境之開關箱，例如臨近海邊、海灘、海上(太陽能)、船上或水處理場所**





Option 選配

MP series models

Dimensions HxWxD(mm) (Cover included)	ABG		ABT		Mounting bracket	Mounting plate	
	Body ABS	Cover ABS	Body ABS	Cover PC		Steel	Plastic
	Gray cover		Transparent cover			1.6mm	> 3mm
310 x 210 x 150	MP3215ABG		MP3215ABT		B60	M2030	2030 PL
426 x 326 x 200	MP4320ABG		MP4320ABT			M3040	3040 PL
426 x 426 x 200	MP4420ABG		MP4420ABT			M4040	4040 PL
514 x 414 x 200	MP5420ABG		MP5420ABT			M4050	4050 PL

Standard

Lock 鎖



PBL-L

PBL-R

Mounting Bracket 固定架



B60

Option

Key Lock 鑰匙鎖



PKL

Mounting Plates 底板



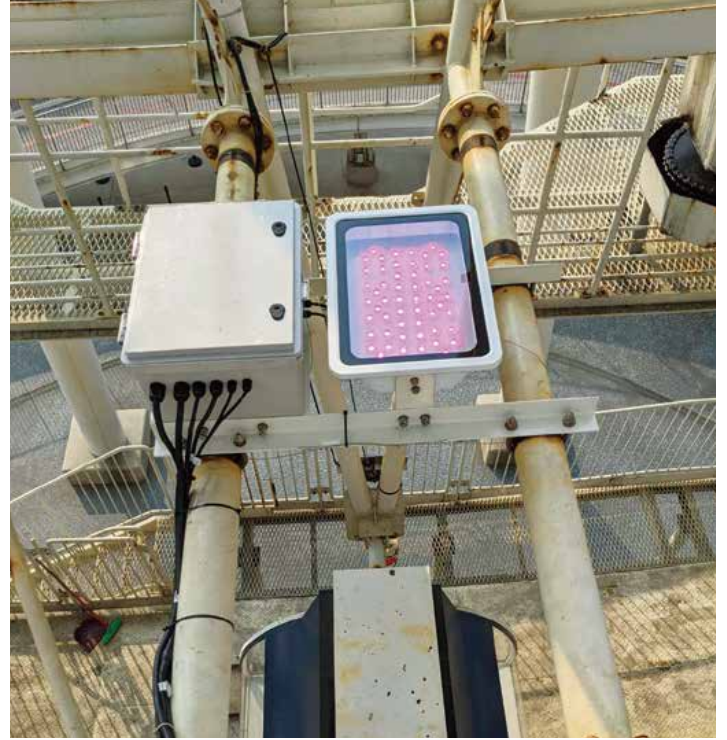
Steel (Galvanization鍍鋅) / Plastic (ABS)

Part No. 料號	Position of door locks 門鎖位置	Type / 種類	Door opening direction 開門方向	Ingress protection 防護等級
		Locking System 門鎖系統		
PBL-L	Left / 左	DoubleBit / 標準型	Right / 由左向右	IP68
PBL-R	Right / 右		Left / 由右向左	
PKL	-	Manual with key lock / 鑰匙型	-	

Weatherproof enclosures

+ UV Resistant

+ Flame Resistant



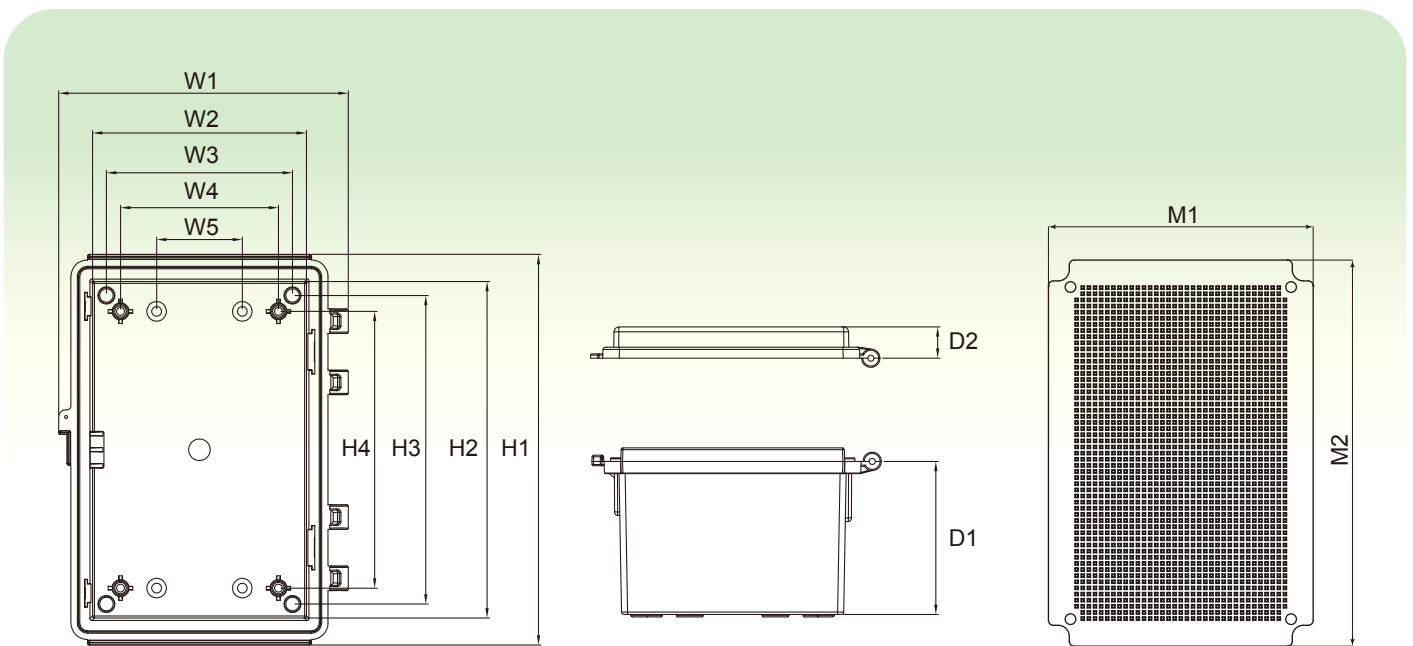
PROPERTY / 特性	Polycarbonate 聚碳酸酯(PC)	
Color 標準顏色	Light gray / 淺灰 (RAL 7035)	Light gray / 淺灰 (RAL 7035) Transparency / 無色透明
Temperature 溫度範圍	-40°C ~ + 80°C (up to 100°C < 1 HR)	
Ingress protection 防護等級 (IEC 60529)	IP 68	
Impact protection 撞擊防護等級	IK 08 / 10	
Flammability 耐燃等級	UL94 V-0, 5VA	
UV resistance 抗紫外線	UL746C (f1), △E9.07 @1000 HR	UL746C (f1), △E5.8 @1000 HR
Salt spray 鹽霧測試(IEC 60068-2)	Pass (1344 HR)	
Non-toxic products 無毒產品	Halogen free 無鹵素	
Insulation 絕緣	☐ 完全絕緣	
Gasket material 密封圈材質	Polyurethane foam 聚氨酯	



- 提供客製抗鹽害處理
- Providing enclosures that have passed the salt spray test (IEC 60068-2).

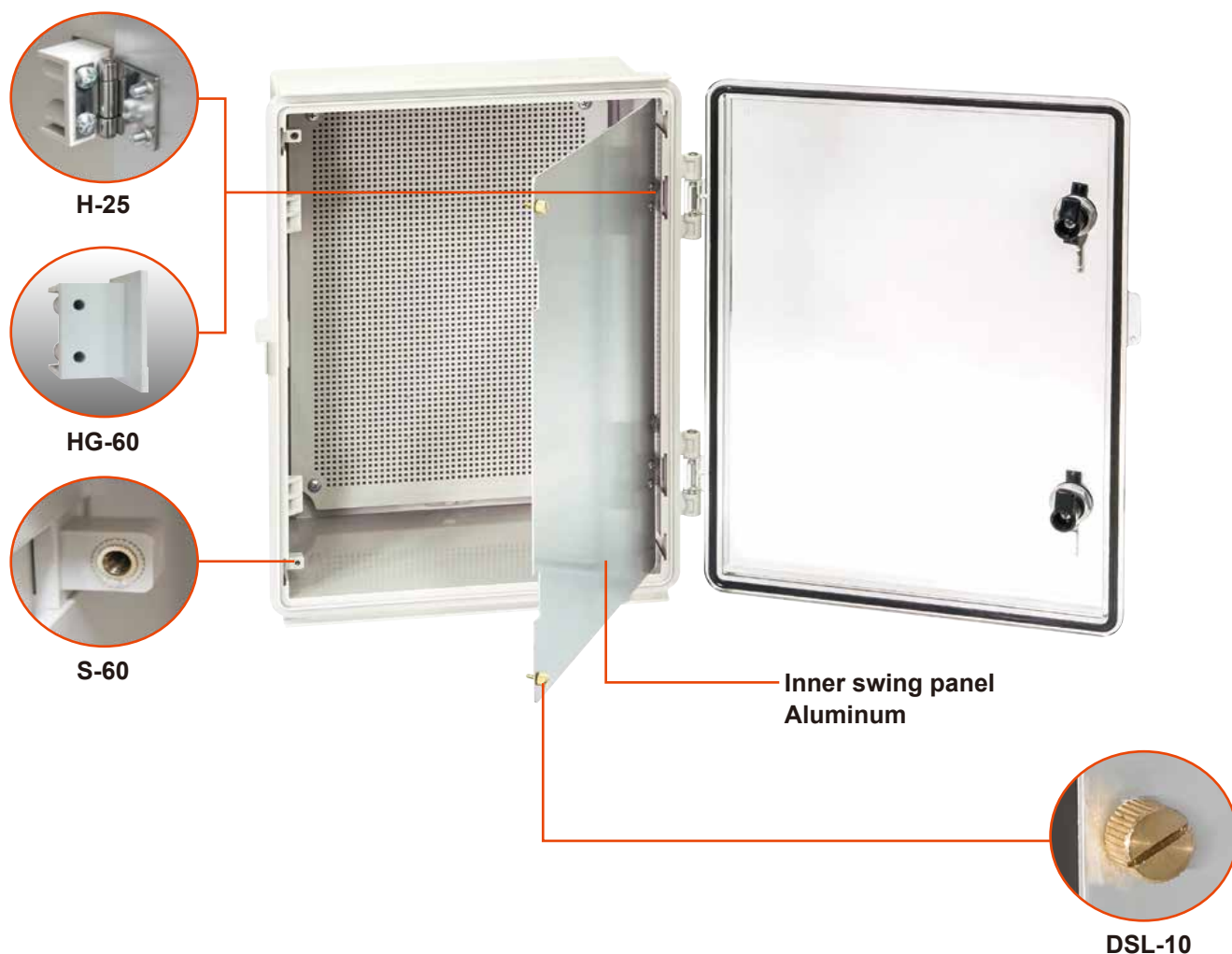
UV / Flame Resistant 耐燃 / 耐候開關箱

Dimensions /尺寸 HxWxD(mm) (Cover included)	PCG		PCT		Mounting bracket	Mounting plate	
	Body PC	Cover PC	Body PC	Cover PC		Steel	Plastic
	Gray cover		Transparent cover			1.6mm	>3mm
310 X 210 X 150	MP3215PCG		MP3215PCT		B60	M2030	2030 PL
426 X 326 X 200	MP4320PCG		MP4320PCT			M3040	3040 PL
426 X 426 X 200	MP4420PCG		MP4420PCT			M4040	4040 PL
514 x 414 x 200	MP5420PCG		MP5420PCT			M4050	4050 PL



Dimensions (mm)

Model	W x H x D	W1	W2	W3	W4	W5	H1	H2	H3	H4	D1	D2	Steel		Plastic	
													M1	M2	M1	M2
MP-□□-3215	310 x 210 x 150	236.5	174.7	152	129	70	319	274.7	252	226	125	25.2	166.5	266	166	266
MP-□□-4320	426 x 326 x 200	352.5	288.4	264	227	170	435	388.4	364	322	175	25.5	265.2	362.3	268	368
MP-□□-4420	426 x 426 x 200	452.5	388.4	364	327	250	435	388.4	364	327	175	25.5	368	368	368	368
MP-□□-5420	514 x 414 x 200	440.5	376.4	354	328		523	476.4	454	428	175	25.5	362.5	463	358	458



■ Inner door kit = Aluminum plate + Parts kit

MP series NO. MP型號	Inner door kit NO. 内門組型號	Aluminum plate 内門鋁板	Parts kit NO. 零件包型號	Parts kit 零件包
MP3215	MP-ID-32	MP-P32	KIT-ID-603	HG-60 x2 S-60x2 H-25x2 DSL-10x2
MP4320	MP-ID-43	MP-P43		
MP4420	MP-ID-44	MP-P44		
MP5420	MP-ID-54	MP-P54	KIT-ID-604	HG-60x3 S-60x4 H-25x3 DSL-10x2

INNER DOOR FOR MCB

Aluminum Plastic
Composite Panel
(ACP)

內門鋁塑板

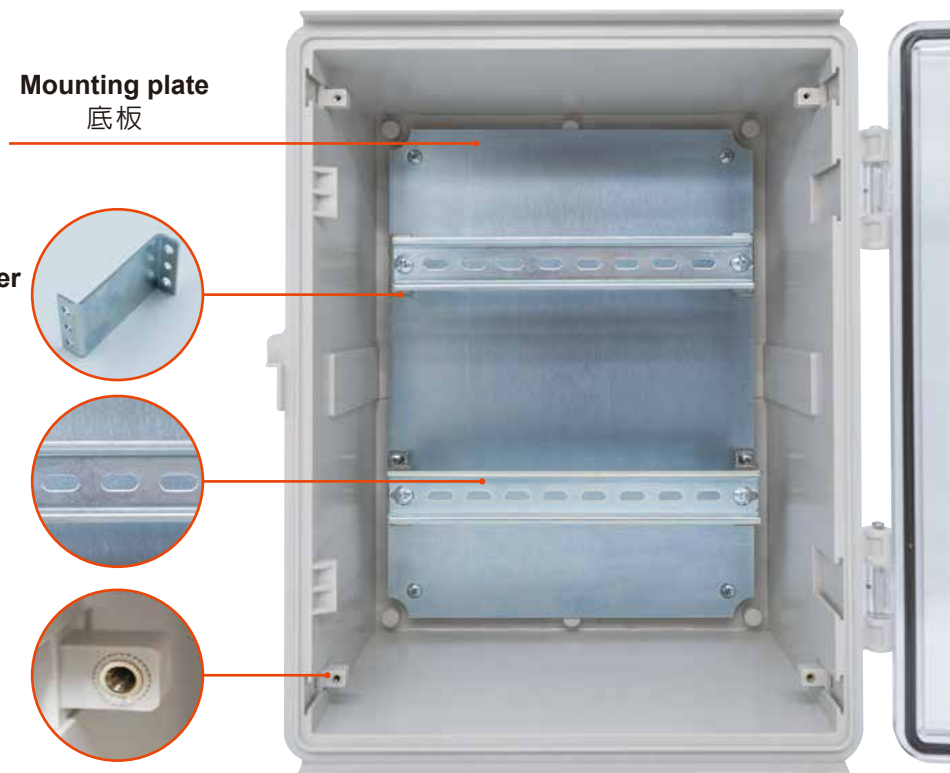


Mounting plate
底板

DIN rail supporter
導軌支撐架

Din rail
鋼軌

Inner door
supporter
內門固定座



MP series NO. MP型號	Order Model 訂貨型號	Capacity of MCB 可放數量
MP4320	MP-MID-43	12P x 2
MP4420	MP-MID-44	18Px 2
MP5420	MP-MID-54	18Px 2

Air Cooling with Filter / 滑蓋式通風濾網組

Features / 特色

- Easy installation
- Ingress protection : IP54
- Replacing a filter quickly without any tools
- Reusable filter by washing or vacuuming

- 安裝容易。
- IP54防護等級。
- 提供開關箱裡面之電氣設備有良好之防水防塵保護。
- 無需任何工具即可輕鬆快速更換過濾棉。
- 過濾棉用水清洗或真空吸塵器清理則可以重複使用。

Technical Data/ 技術規格

Ingress protection/ 保護等級	IP54
Material/ 原料	ABS
Flammability / 阻燃等級	UL94HB
Temperature range / 溫度範圍	- 40°C ~ + 60 °C
Orientation / 安裝方向	Downward / 向下

Product model

Model No. / 型號 : **FG-4N**

Be suitable for dimensions of Fan /
適用風扇尺寸 : 120 x 120 mm

Model No. / 型號 : **FG-6N**

Be suitable for dimensions of Fan /
適用風扇尺寸 : 120 x 120 mm / 172 x 150 mm

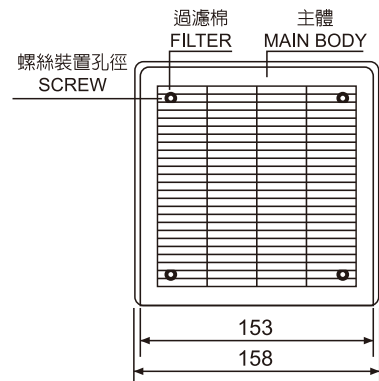
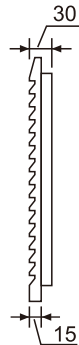
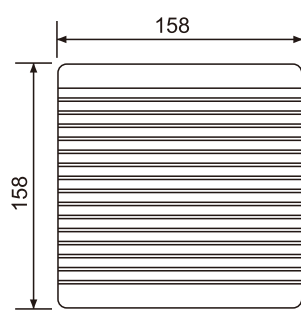




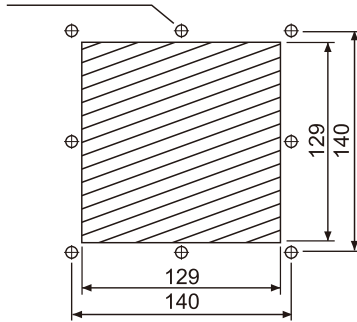
Air Cooling with Filter / 滑蓋式通風濾網組

Be suitable for 120x120 fan / 注：適用於120x120 風扇使用

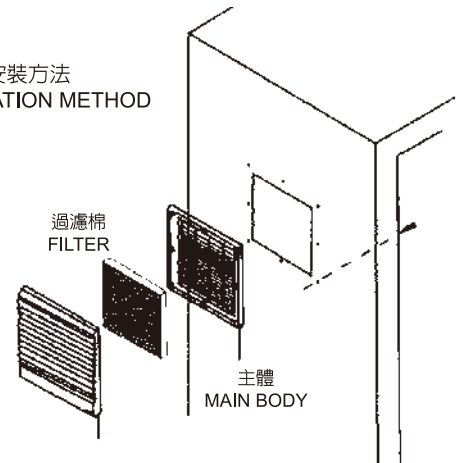
FG-4N



螺絲孔徑 Hole of screw
M4 x 8

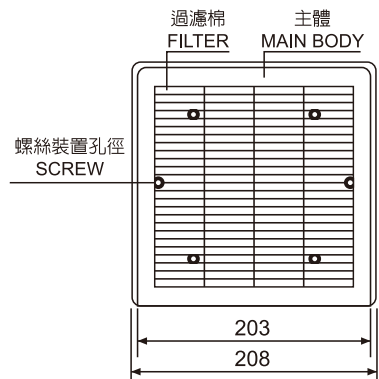
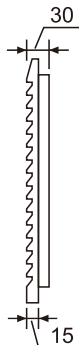
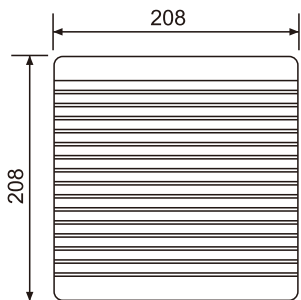


安裝方法
INSTALLATION METHOD

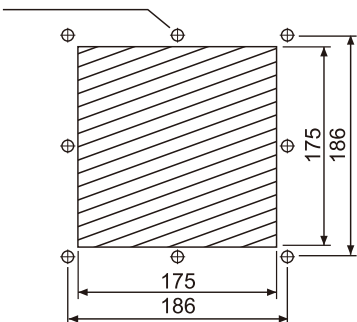


Be suitable for 120x120/172x150 fan / 注：適用於120x120/172x150 風扇使用

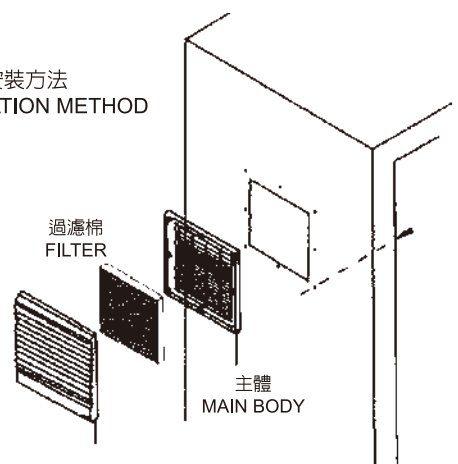
FG-6N



螺絲孔徑 Hole of screw
M4 x 8



安裝方法
INSTALLATION METHOD

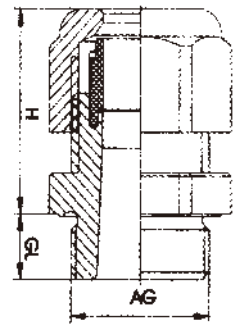


Plastic Cable Gland / 尼龍電纜防水接頭

1. Material: Polyamide66, Sealing: NBR
2. Color: Grey white (RAL 7035), Black (RAL 9005)
3. Ingress protection: Cable gland IP67 with suitable O-sealings and compatible cable.
4. Temperature Range: Stat.: Min-40°C, Max100°C, Short-term120°C
Dyn.: Min-20°C, Max80°C, Short-term100°C
5. Properties: UL94 V-2, free of halogen, phosphor and cadmium, passed RoHS UV-resistance, ageing-resistance certificates



1. 材 料：尼龍66，密封件材料：丁腈橡膠。
2. 顏 色：灰白色(RAL 7035)，黑色(RAL 9005)。
3. 防護等級：在規定的適用電纜內，並使用合適的O型密封圈，防護等級可達到IP67。
4. 溫度範圍：靜態：-40°C~100°C，短時間可達到120°C。
動態：-20°C~80°C，短時間可達到100°C。
5. 阻燃等級：UL94 V-2，不含鹵素、磷、鎘、通過ROHS測試，耐UV，通過抗老化測試。



PG Thread 加長型 PG螺紋單位：mm

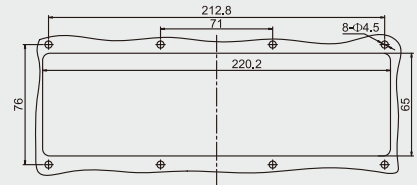
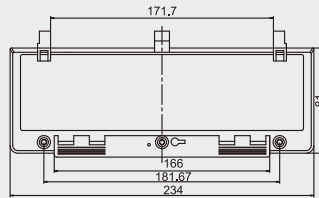
型號 Model	適用電纜 Cable Range Ø	螺紋外徑 Thread O.D. (AG)	機板口徑 Panel Mounting Hole	螺紋長度 Thread Length (GL)	扳手徑 Spanner Size A & F	包裝 Std. Pkg pcs
PG-7	3~6.5	12.5	12.5~12.8	8	15	100
PG-7L	3~6.5	12.5	12.5~12.8	15	15	100
PG-9	4~8	15.2	15.2~15.5	8	19	100
PG-9L	4~8	15.2	15.2~15.5	15	19	100
PG-11	5~10	18.6	18.6~18.9	8	22	100
PG-11L	5~10	18.6	18.6~18.9	15	22	100
PG-13.5	6~12	20.4	20.4~20.7	9	24	100
PG-13.5L	6~12	20.4	20.4~20.7	14	24	100
PG-16	8~14	22.5	22.5~22.8	10	27	50
PG-16L	8~14	22.5	22.5~22.8	15	27	50
PG-21	13~18	28.3	28.3~28.7	11	33	50
PG-21L	13~18	28.3	28.3~28.7	15	33	50
PG-29	18~25	37	37~37.4	11	42	25
PG-29L	18~25	37	37~37.4	15	42	25
PG-36	22~32	47	47~47.4	13	52	10
PG-42	30~38	54	54~54.4	14	60	10
PG-48	37~44	59.3	59.3~59.7	15	65	5

INSPECTION WINDOWS IP65

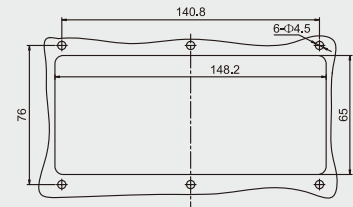
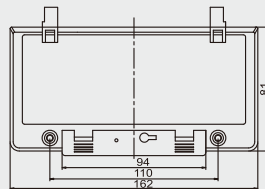
配電箱視窗IP65

Material: polycarbonate non-corrosive and UV stabilised, V2

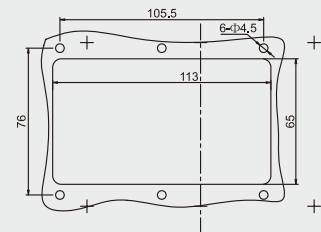
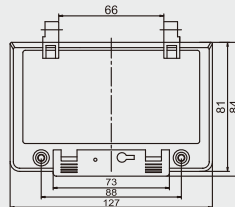
MODEL / 型號 : EW121



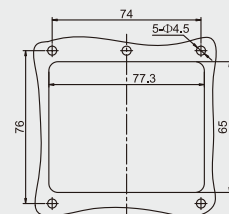
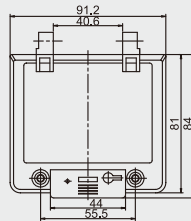
MODEL / 型號 : EW081



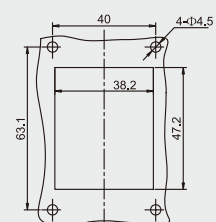
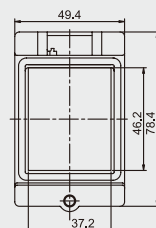
MODEL / 型號 : EW061



MODEL / 型號 : EW041



MODEL / 型號 : EW021



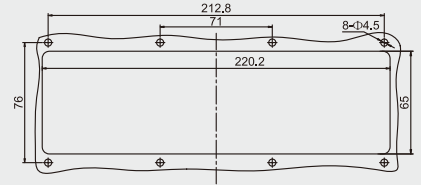
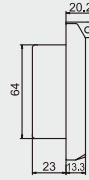
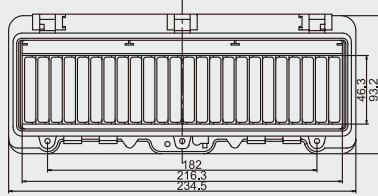
ACCESSORIES

Transparent operating window, made of impact-resistant plastic and able to close door automatically, reaches IP65 with thumb screws

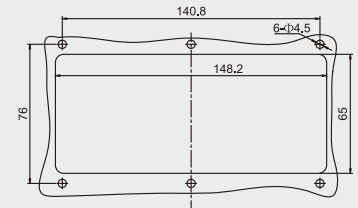
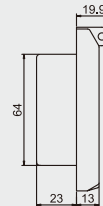
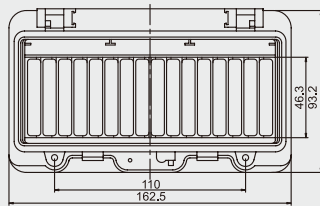
透明自閉操作窗 · 螺絲鎖緊可達IP65 · 優質抗沖擊塑料

Material: polycarbonate non-corrosive and UV stabilised, V2

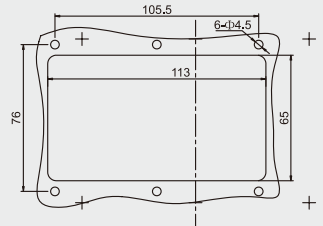
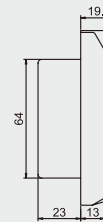
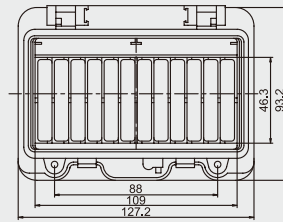
MODEL / 型號 : EW12



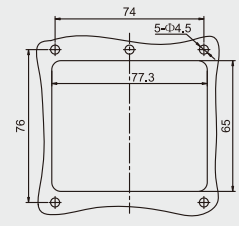
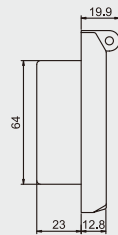
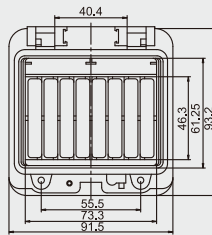
MODEL / 型號 : EW8



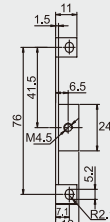
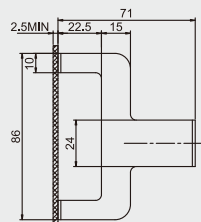
MODEL / 型號 : EW6



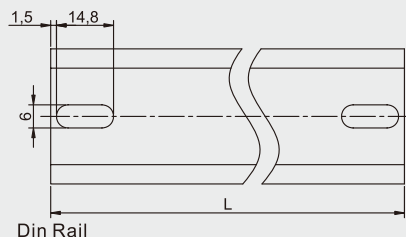
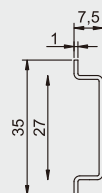
MODEL / 型號 : EW4



BRACKET FOR DIN RAIN



DIN RAIL TS35/TS35軌道



Item	Length
2 Model	54
4 Model	88
6 Model	120
8 Model	165
12 Model	227

RoHS DIN RAIL TS35

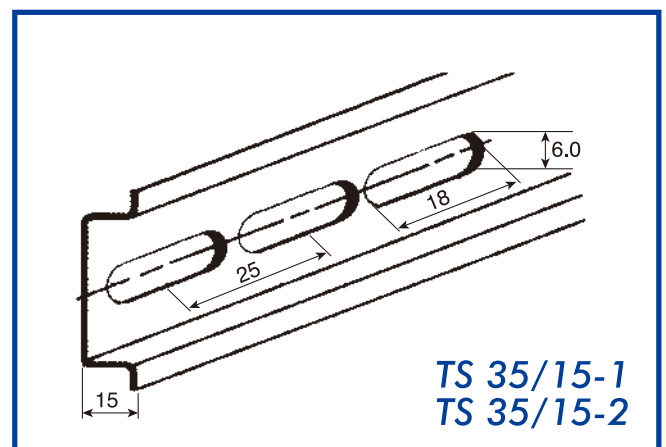
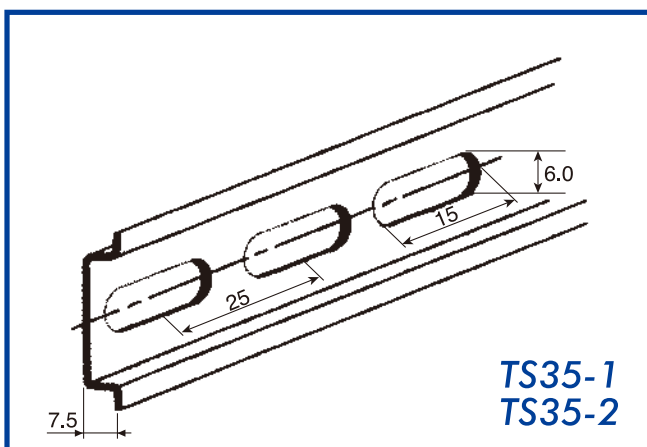
RoHS TS35 鋼軌

STANDARDS : EN 1483

TUV Ref.-No : 113073648



Model 型號	Length 長度	Weight 重量(1 meter)	Perforation 孔距(mm)	Pack 包裝
TS 35-1	1 meter	0.335	15 x 6.0 spacing 25	40
TS 35-2	2 meter	0.335	15 x 6.0 spacing 25	20
TS 35/15-1	1 meter	0.68	15 x 6.0 spacing 25	30
TS 35/15-2	2 meter	0.68	15 x 6.0 spacing 25	30



DIN CUTTER / 導軌切斷器



DIN RAIL CUTTER :

Features :

- Din cutter with ergonomic design is user-friendly, saving effort and time.
- Drilled and undrilled DIN rail won't be burrs or deformed after being cut.
- Knife is heavy duty, durable and long life after special processing.

導軌切斷器：

特色：

- 切斷器依照人體工學原理設計，操作時省力有效率。
- 裁切有孔或無孔導軌不會造成毛邊或使導軌變形。
- 裁刀經過特殊處理，高品質、耐用、壽命長。



For DIN Rail of Aluminum

Model : DR-RC001

DIN rail size : 35x7.5mm

Dimensions : 607x80x156mm

Weight : 7.3kg

For DIN Rail of Steel

Model : DR-RC002

DIN rail size : 35x7.5mm

Dimensions : 607x80x156mm

Weight : 7.3kg



MULTIPLE SOCKET / 萬用插座

Features / 特色

- Easy to install on 35 mm DIN rail (EN 50022)
- Ingress protection : IP20
- Connected wire to socket with clipping way in order to save time, safe, fast wiring and moving wire.
The socket is available with and without fuse .
- Compatible with worldwide plugs
- 安裝容易，採用卡式安裝在 DIN 35 軌道。
- IP20 防護等級。
- 電線連接器採用夾式，省時、安全、快速配線與拆線。
- 世界插頭皆可使用，例如德式、法式、英式、美式、瑞士、義式。

Technical Data / 技術規格

Model / 型號:	MS 35.00
Ingress protection / 保護等級	IP20
Mounting / 安裝	35 mm DIN Rail / 軌道(EN 50022)
Applicable Wire / 電線線徑	0.5–2.5mm ² , 18–16AWG, Sol / Str Cu (單股 / 多股導線)
Casing material / 外殼原料	PC / ABS
Flammability / 耐燃	UL94 - 5VB
Rated voltage / 額定電壓	AC 250V
Rated current / 額定電流	AC 15A
Dimensions / 尺寸	(H) 90 x (W) 66 x (D) 47.3 mm
Weight / 重量	115 g
Orientation / 安裝方向	Variable / 沒有限制
Temperature range / 溫度範圍	-45 ~ +70°C (-49 ~ +158°F)

Wiring

1. Strip conductor (standard / solid wires)
2. Press the button fully (L, N or \perp)
3. Insert stripped conductor into the hole entirely and release the button.
4. Check the wiring connections.

配線

1. 將單多芯線剝線
2. 將按鍵(L、N、 \perp)按下
3. 插入電線後，鬆開按鍵
4. 輕拉電線以確認緊固狀態

