

# e-tan<sup>®</sup>

ISO 9001  
ISO 14064



## Plastic Enclosures

Made in Taiwan



2024



COCA ENTERPRISE CO., LTD.

e-tan



## 谷家企業有限公司 COCA ENTERPRISE CO., LTD.

📍 406台中市北屯區軍福17路78號  
NO.78, Junfu 17th Rd., Beitun District, Taichung City,  
40642, Taiwan

☎ +886-4-2436.0203

☎ +886-4-2436.0107

✉ info@e-tan.com.tw / webmaster@demex.com.tw

🌐 www.e-tan.com.tw / www.demex.com.tw



# CONTENTS



**Overview & General Accessories** 1

---



**EN series (Hinged enclosures)** 4

---



**ET series (Screw cover enclosures)** 8

---



**ES series (Screw cover boxes)** 11

---



**MP series (MAXPRO enclosures)** 14

---

## Overview

# EN - PCG - 203015UL

- **Series 系列**
  - EN : Hinged 鉸鏈
  - ET : Screw cover(L)螺絲盒蓋(大)
  - ES : Screw cover(S)螺絲盒蓋(小)
  - TB : Terminal block 端子台
  - MP : European 歐式
- **Color of cover 蓋子顏色**
  - G : Gray (RAL 7035)淺灰
  - T : Transparent 透明
- **Dimensions 尺寸**

PROPERTY / 特性	Polycarbonate 聚碳酸酯(PC)
Color / 標準顏色	Gray( RAL 7035 ) / 淺灰 Transparency / 無色透明
Temperature / 溫度範圍	-40°C ~ + 80°C (up to 100°C < 1 HR)
Ingress protection / 防護等級 (IEC 60529)	UL508A (NEMA 4X), IP68
Impact protection / 撞擊防護等級	IK08~IK09
Flammability / 耐燃等級	UL 94 5VA
UV resistance / 抗紫外線	UL746C ( f1 )
Salt spray / 鹽霧測試 (IEC 60068-2)	Pass (1344 HR)
Non-toxic products / 無毒產品	Halogen free 無鹵素
Insulation / 絕緣	回 完全絕緣
Gasket material / 密封圈材質	Polyurethane foam 聚氨酯

• Providing enclosures that have passed the salt spray test (IEC 60068-2). / 提供客製抗鹽害處理

## Customization Services 客製化服務

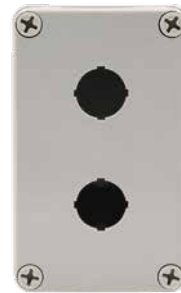
### UV Inkjet Printing UV噴墨印刷

- The ink used in the digital printing process is UV cured, scratch resistant, waterproof and UV resistant.
- Printing text and images directly on the enclosures.
- Digital printing is applicable to any size enclosures.
- 利用紫外線將油墨固化，防刮、防水、防紫外線
- 將文字、圖案直接印刷於開關箱
- 適用於任何尺寸的開關箱



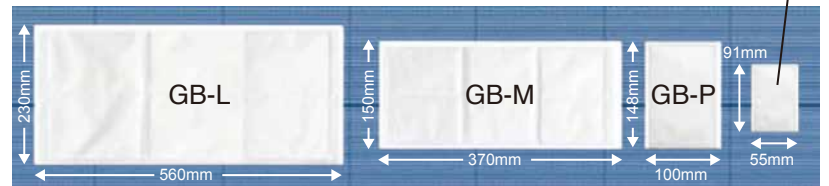
### CNC Machining CNC加工

- For plastic enclosures.
- Customized holes in various shapes and sizes.
- 適用於塑膠開關箱
- 客製任何形狀及尺寸的孔洞



## Humidity Control Sheet 濕度控制片

- Dew condensation problems are solved with humidity control sheet.
- Long lasting and easy maintenance.
- Flexible design to fit any enclosures.



- 解決密閉環境的潮濕結露問題
- 效果持久且易維護
- 靈活輕巧可適用各式開關箱

Product Name 產品編號	Size 尺寸(mm)	Weight 重量(g)	Application Capacity 箱體容量(L)
NTTGBL	560 x 230 x 3	130	400
NTTGBM	370 x 150 x 3	50	150
NTTGBP	100 x 148 x 1	10	25
NTTGBN	55 x 91 x 1	3	7

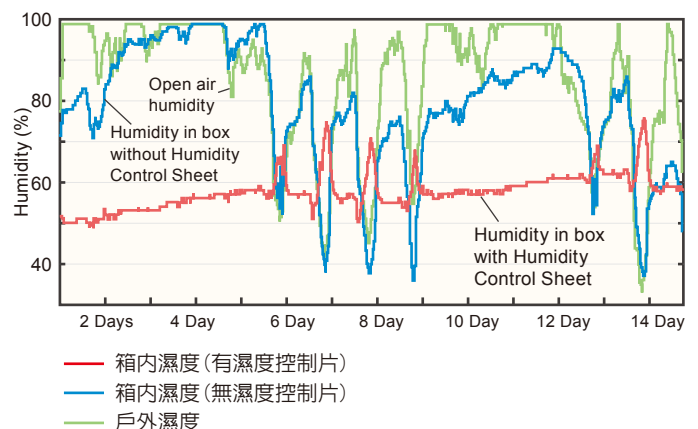
※ Using a large size or several humidity control sheets at a fixed capacity will increase the breathing rate of moisture instead of lowering the humidity.  
於固定容量使用大尺寸或數片的濕度控制片會增加其對於濕氣的呼吸速度增加，而非將濕度降得更低



### Humidity Control Sheet Test 濕度控制片測試

【Measurement Conditions 量測條件】

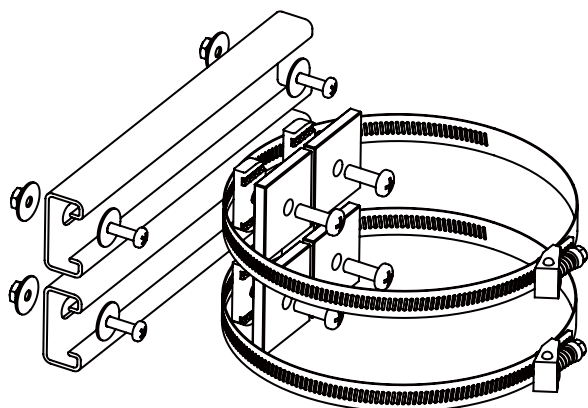
- Volume capacity of box / 箱子容量：13.9L (ø5mm vent hole in bottom / ø5 mm 透氣孔在底部)
- Measurement location / 測試地點：outdoors location in Hachioji city, Tokyo / 戶外(東京, 八王子市)
- Measurement time period / 測試時間：2 weeks / 2週



※ Usable time period may change depending on environmental conditions.  
使用壽命會依不同的使用環境而有所改變

## Pole Mount Kit 桿上支架

- Strut Channel (Galvanized steel or SUS304).
- Adjustable 304 stainless steel hose clamp allow for mounting on pole diameters 2" to 12" (Ø51 ~ 311 mm).
- The hose clamps can be combined to expand its diameter.
- 鍍鋅C型鐵槽/SUS304
- 304不鏽鋼管束適用於圓柱(Ø51~311mm)與方柱
- 可根據柱子尺寸，自行調整或串接管束



Order NO.	Description	Dimensions
PM2330	304 Stainless steel pole mount bracket PM2-330 304不鏽鋼桿上固定架 PM2-330	330mm
PM2530	304 Stainless steel pole mount bracket PM2-530 304不鏽鋼桿上固定架 PM2-530	530mm
PM2650	304 Stainless steel pole mount bracket PM2-650 304不鏽鋼桿上固定架 PM2-650	650mm



## The features of EN series

### EN系列特點

- NEMA 4X
- Metal mounting plates (steel)
- 304 stainless steel latches, hinge pins and mounting brackets.
- It's easy to fix enclosures with brackets of stainless 304.
- **We can provide enclosures for harsh environments, such as coast, marine, renewable energy or water treatment on request.**

- 防護等級: NEMA 4X
- 鐵底板
- 扣環及活頁的插銷由塑膠底座及不鏽鋼304製成, 耐用且不易生鏽及變形
- 304不鏽鋼的固定架可讓開關箱容易固定安裝
- **如您有需求, 我們可提供適用於嚴苛環境的開關箱, 例如: 用於臨近海邊、海上(太陽能)、再生能源或水處理場所**





**Standard**

■ Mounting Bracket 固定架



■ Draw Latch 扣環



— Standard  
— Optional

**Optional**

■ Lock 鎖



■ Mounting Plates 底板



■ Ventilator 通風器



■ Cable Gland 電纜固定頭



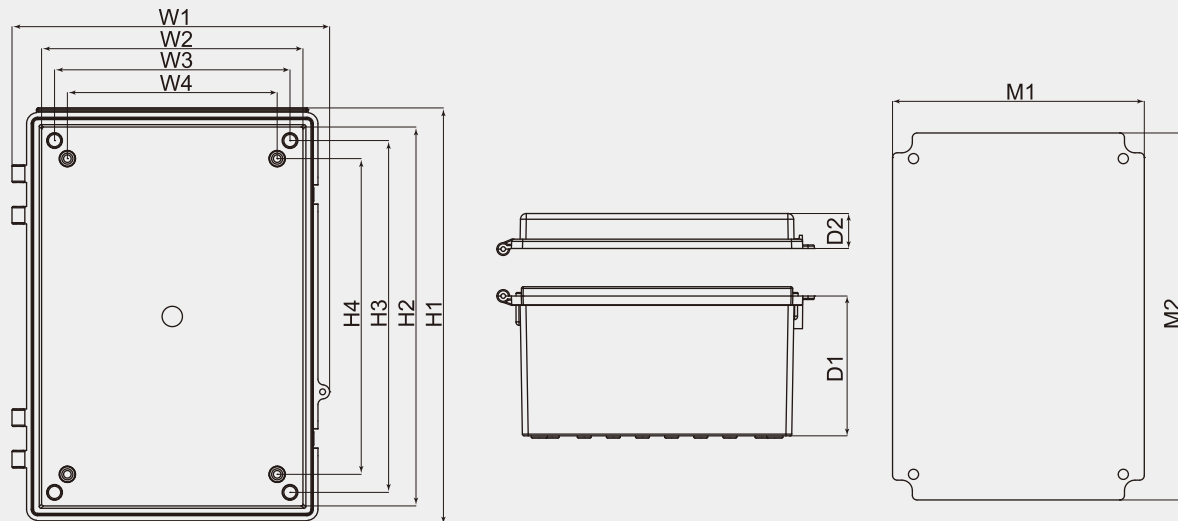


## UV / Flame Resistant 耐燃 / 耐候開關箱

• The dimensions marked in red represent the horizontal enclosure. / 紅字為橫式開關箱

■ Optional 選配

Dimensions / 尺寸(Cover included)						PCG	PCT	Mounting bracket	Mounting plate		Key lock		
(mm)			(inch)						Gray cover 灰色上蓋	Transparent cover 透明上蓋		Steel 1.6mm (0.06")	
W	x	H	x	D	W								
100	150	70	3.94	5.91	2.76	EN-PCG-101507UL	EN-PCT-101507UL	B40.03	M0813	K-30L			
100	150	85	3.94	5.91	3.35	EN-PCG-101508UL	EN-PCT-101508UL		M0813				
135	155	85	5.31	6.10	3.35	EN-PCG-131508UL	EN-PCT-131508UL		M1315				
135	185	85	5.31	7.28	3.35	EN-PCG-131808UL	EN-PCT-131808UL		M1217				
135	185	100	5.31	7.28	3.94	EN-PCG-131810UL	EN-PCT-131810UL		M1217				
150	150	90	5.91	5.91	3.54	EN-PCG-151509UL	EN-PCT-151509UL		M1515				
150	150	120	5.91	5.91	4.72	EN-PCG-151512UL	EN-PCT-151512UL		M1515				
160	210	100	6.30	8.27	3.94	EN-PCG-162110UL	EN-PCT-162110UL		M1520				
160	210	130	6.30	8.27	5.12	EN-PCG-162113UL	EN-PCT-162113UL		M1520				
160	260	100	6.30	10.24	3.94	EN-PCG-162610UL	EN-PCT-162610UL		M1525				
160	260	130	6.30	10.24	5.12	EN-PCG-162613UL	EN-PCT-162613UL		M1525				
170	220	110	6.69	8.66	4.33	EN-PCG-172211UL	EN-PCT-172211UL		M1520				
170	270	110	6.69	10.63	4.33	EN-PCG-172711UL	EN-PCT-172711UL		M1525				
210	210	100	8.27	8.27	3.94	EN-PCG-212110UL	EN-PCT-212110UL		M2121				
210	210	130	8.27	8.27	5.12	EN-PCG-212113UL	EN-PCT-212113UL		M2121				
190	280	100	7.48	11.02	3.94	EN-PCG-192810UL	EN-PCT-192810UL		M1928				
190	280	140	7.48	11.02	5.51	EN-PCG-192814UL	EN-PCT-192814UL		M1928				
286	190	100	11.26	7.48	3.94	EN-PCG-291910UL	EN-PCT-291910UL		M1928				
200	300	130	7.87	11.81	5.12	EN-PCG-203013UL	EN-PCT-203013UL		M2030				
200	300	150	7.87	11.81	5.91	EN-PCG-203015UL	EN-PCT-203015UL		M2030				
200	300	180	7.87	11.81	7.09	EN-PCG-203018UL	EN-PCT-203018UL	M2030					
300	200	150	11.81	7.87	5.91	EN-PCG-302015UL	EN-PCT-302015UL	M2030					
300	200	180	11.81	7.87	7.09	EN-PCG-302018UL	EN-PCT-302018UL	M2030					
250	350	150	9.84	13.78	5.91	EN-PCG-253515UL	EN-PCT-253515UL	M2535					
250	350	180	9.84	13.78	7.09	EN-PCG-253518UL	EN-PCT-253518UL	M2535					
280	280	130	11.02	11.02	5.12	EN-PCG-282813UL	EN-PCT-282813UL	M2828					
280	380	130	11.02	14.96	5.12	EN-PCG-283813UL	EN-PCT-283813UL	M2838					
300	300	150	11.81	11.81	5.91	EN-PCG-303015UL	EN-PCT-303015UL	M3030					
300	300	180	11.81	11.81	7.09	EN-PCG-303018UL	EN-PCT-303018UL	M3030					
300	400	120	11.81	15.75	4.72	EN-PCG-304012UL	EN-PCT-304012UL	M3040					
300	400	150	11.81	15.75	5.91	EN-PCG-304015UL	EN-PCT-304015UL	M3040					
300	400	180	11.81	15.75	7.09	EN-PCG-304018UL	EN-PCT-304018UL	M3040					
400	300	150	15.75	11.81	5.91	EN-PCG-403015UL	EN-PCT-403015UL	M3040					
400	300	180	15.75	11.81	7.09	EN-PCG-403018UL	EN-PCT-403018UL	M3040					
350	350	150	13.78	13.78	5.91	EN-PCG-353515UL	EN-PCT-353515UL	M3535					
350	350	180	13.78	13.78	7.09	EN-PCG-353518UL	EN-PCT-353518UL	M3535					
350	450	120	13.78	17.72	4.72	EN-PCG-354512UL	EN-PCT-354512UL	M3545					
350	450	160	13.78	17.72	6.30	EN-PCG-354516UL	EN-PCT-354516UL	M3545					
350	450	200	13.78	17.72	7.87	EN-PCG-354520UL	EN-PCT-354520UL	M3545					
400	500	160	15.75	19.69	6.30	EN-PCG-405016UL	EN-PCT-405016UL	M4050					
400	500	200	15.75	19.69	7.87	EN-PCG-405020UL	EN-PCT-405020UL	M4050					
500	400	200	19.69	15.75	7.87	EN-PCG-504020UL	EN-PCT-504020UL	M4050					
400	600	180	15.75	23.62	7.09	EN-PCG-406018UL	EN-PCT-406018UL	M4060					
400	600	230	15.75	23.62	9.06	EN-PCG-406023UL	EN-PCT-406023UL	M4060					
530	630	185	20.87	24.80	7.28	EN-PCG-506018UL	EN-PCT-506018UL	M5060					
530	630	255	20.87	24.80	10.04	EN-PCG-506025UL	EN-PCT-506025UL	M5060					
530	730	185	20.87	28.74	7.28	EN-PCG-507018UL	EN-PCT-507018UL	M5070					
530	730	255	20.87	28.74	10.04	EN-PCG-507025UL	EN-PCT-507025UL	M5070					



## Dimensions(mm)

Tolerance: ±1.0mm

Model	W x H x D			W1	W2	W3	W4	H1	H2	H3	H4	D1	D2	Steel Plate	
	M1	M2													
EN-□□□-101507UL	100	150	70	117	78.2	60	0	159	128.6	110	99.5	50	20	65	116
EN-□□□-101508UL	100	150	85	117	78.2	60	0	159	128.6	110	99.5	65	20	65	116
EN-□□□-131508UL	135	155	85	152.1	112.7	95	0	163.5	133.1	115	110	65	20	108.8	129
EN-□□□-131808UL	135	185	85	152.1	112.7	95	0	193.5	163.1	145	140	65	20	100.9	157.6
EN-□□□-131810UL	135	185	100	152.1	112.2	95	0	193.5	162.6	145	140	80	20	100.9	157.6
EN-□□□-151509UL	150	150	90	167.1	127.4	115	0	158.5	127.4	115	110	70	20	124.9	124.2
EN-□□□-151512UL	150	150	120	167.1	126.3	115	0	158.5	126.3	115	110	100	20	124.9	124.2
EN-□□□-162110UL	163	210	100	180.1	140.2	120	0	218.5	187.8	170	160	75	25	136	183
EN-□□□-162113UL	163	210	130	180.1	139.1	120	0	218.5	186.7	170	160	105	25	136	183
EN-□□□-162610UL	160	260	100	177.1	137.2	120	0	268.5	237.8	220	210	75	25	134	234
EN-□□□-162613UL	160	260	130	177.1	136.1	120	0	268.5	236.7	220	210	105	25	134	234
EN-□□□-172211UL	173	220	110	190.1	149.6	132	0	228.5	197.6	182	160	80	30	136	183
EN-□□□-172711UL	170	270	110	187.1	146.6	132	0	278.5	247.6	232	210	80	30	134	234
EN-□□□-212110UL	210	210	100	227.1	187.2	170	0	218.5	187.8	170	160	75	25	179	179
EN-□□□-212113UL	210	210	130	227.1	186.1	170	0	218.5	186.7	170	160	105	25	179	179
EN-□□□-192810UL	190	280	100	207.1	167	148	120	288.5	258	238	210	70	30	161	251.5
EN-□□□-192814UL	190	280	140	207.1	165.6	148	120	288.5	256.6	238	210	110	30	161	251.5
EN-□□□-291910UL	286	190	100	303	263	250	210	198.5	168	153	120	70	30	161	251.5
EN-□□□-203013UL	200	300	131	222.5	175.9	152	129	308	275.9	252	226	101	30	166.5	266
EN-□□□-203015UL	200	300	151	222.5	175.2	152	129	308	275.2	252	226	121	30	166.5	266
EN-□□□-203018UL	200	300	181	222.5	174.2	152	129	308	274.2	252	226	151	30	166.5	266
EN-□□□-302015UL	300	200	150	320	274	252	226	208	176	152	129	120	30	166.5	266
EN-□□□-302018UL	300	200	180	320	273	252	226	208	175	152	129	150	30	166.5	266
EN-□□□-253515UL	250	350	150	272.5	225.3	202	180	358	325.3	302	271	120	30	216	315
EN-□□□-253518UL	250	350	180	272.5	223.2	202	180	358	324.2	302	271	150	30	216	315
EN-□□□-282813UL	280	280	130	302.5	255.5	238	210	288	255.5	238	210	100	30	251	251.5
EN-□□□-283813UL	280	380	130	302.5	355.9	238	210	388	355.9	338	310	100	30	252	353.3
EN-□□□-303015UL	300	300	150	322.5	275.3	252	219	308	275.3	252	219	120	30	262	262
EN-□□□-303018UL	300	300	180	322.5	273.2	252	219	308	274.2	252	219	150	30	262	262
EN-□□□-304012UL	300	400	120	324.7	275.3	252	223.4	408	376.1	352	323.4	89.5	31	265.2	362.3
EN-□□□-304015UL	300	400	150	324.7	275	252	223.4	408	375	352	323.4	119.5	31	265.2	362.3
EN-□□□-304018UL	300	400	180	324.7	274	252	223.4	408	374	352	323.4	149.5	31	265.2	362.3
EN-□□□-403015UL	408	308	150	430.5	374.3	352	322	316.4	274.3	252	227	120	30	265.2	362.3
EN-□□□-403018UL	408	308	180	430.5	373.2	352	322	317.2	271	252	227	150	30	265.2	362.3
EN-□□□-353515UL	350	350	150	372.5	324.3	302	270	358	324.3	302	270	120	30	313.5	313.5
EN-□□□-353518UL	350	350	180	372.5	323.2	302	270	358	323.2	302	270	150	30	313.5	313.5
EN-□□□-354512UL	350	450	120	376.5	323.8	300	274	461	425.3	400	365	90	30	305.7	406.3
EN-□□□-354516UL	350	450	160	376.5	323.9	300	274	461	423.9	400	365	130	30	305.7	406.3
EN-□□□-354520UL	350	450	200	376.5	320.5	300	274	461	422.5	400	365	170	30	305.7	406.3
EN-□□□-405016UL	400	500	160	427.5	371.9	352	328	511	473.9	452	428	130	30	362.5	463
EN-□□□-405020UL	400	500	200	427.5	370.5	352	328	511	472.5	452	428	170	30	362.5	463
EN-□□□-504020UL	516	416	200	542.5	472.5	452	428	427	372.5	352	328	170	30	362.5	463
EN-□□□-406018UL	415	615	180	442.5	371.9	352	328	626	571.9	552	525	150	30	350.7	550.5
EN-□□□-406023UL	415	615	230	442.5	370.1	352	328	626	570.1	552	525	200	30	350.7	550.5
EN-□□□-506018UL	530	630	185	557.5	486.8	462	426	641	586.8	562	526	150	35	469.6	551.5
EN-□□□-506025UL	530	630	255	557.5	484.4	462	426	641	584.4	562	526	220	35	469.6	551.5
EN-□□□-507018UL	530	730	185	557.5	486.9	462	426	741	686.9	662	626	150	35	469.6	652
EN-□□□-507025UL	530	730	255	557.5	484.4	462	426	741	684.4	662	626	220	35	469.6	652

## The features of ET series

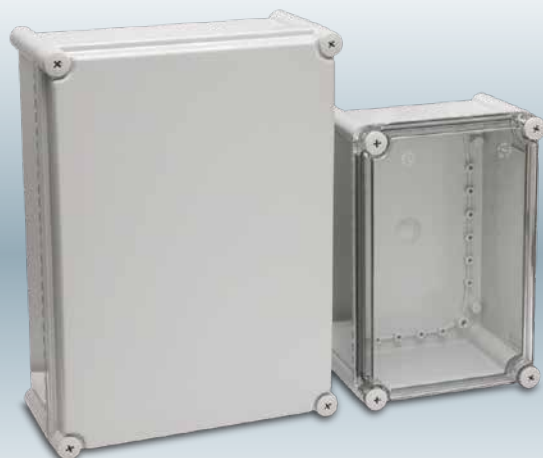
### ET系列特點

- NEMA 4X
- Metal mounting plates (steel)
- Captive cover screws
- Mounting boss screws included.
- Fix the enclosure with brackets or screws(M5 or Ø5 ; refer to p.17).

- 防護等級：NEMA 4X
- 鐵底板
- 防脫落盒蓋螺絲
- 內含底板固定螺絲
- 304不鏽鋼固定架使開關箱容易固定安裝，亦可使用M5或Ø5螺絲直接穿過4個塑膠螺絲孔(p.17)固定於設備上



## UV / Flame Resistant 耐燃 / 耐候開關箱



ET

Optional 選配

Dimensions / 尺寸(Cover included)						PCG Gray cover / 灰色上蓋	PCT Transparent cover / 透明上蓋	Mounting bracket	Mounting plate
(mm)			(inch)						Steel 1.6mm (0.06")
W	x	H	x	D					
190	190	130	7.48	7.48	5.12	ET-PCG-191913UL	ET-PCT-191913UL	B50.03	M1919
190	280	130	7.48	11.02	5.12	ET-PCG-192813UL	ET-PCT-192813UL		M1928
190	280	180	7.48	11.02	7.09	ET-PCG-192818UL	ET-PCT-192818UL		M1928
190	380	130	7.48	14.96	5.12	ET-PCG-193813UL	ET-PCT-193813UL		M1938
190	380	180	7.48	14.96	7.09	ET-PCG-193818UL	ET-PCT-193818UL		M1938
280	280	130	11.02	11.02	5.12	ET-PCG-282813UL	ET-PCT-282813UL		M2828
280	340	130	11.02	13.39	5.12	ET-PCG-283413UL	ET-PCT-283413UL		M2834
280	380	130	11.02	14.96	5.12	ET-PCG-283813UL	ET-PCT-283813UL		M2838
280	380	180	11.02	14.96	7.09	ET-PCG-283818UL	ET-PCT-283818UL		M2838
280	560	130	11.02	22.05	5.12	ET-PCG-285613UL	ET-PCT-285613UL		B60.07
380	560	180	14.96	22.05	7.09	ET-PCG-385618UL	ET-PCT-385618UL	M3856	

### Standard

■ Cover Screw 螺絲



CB28

### Optional

■ Mounting Bracket 固定架

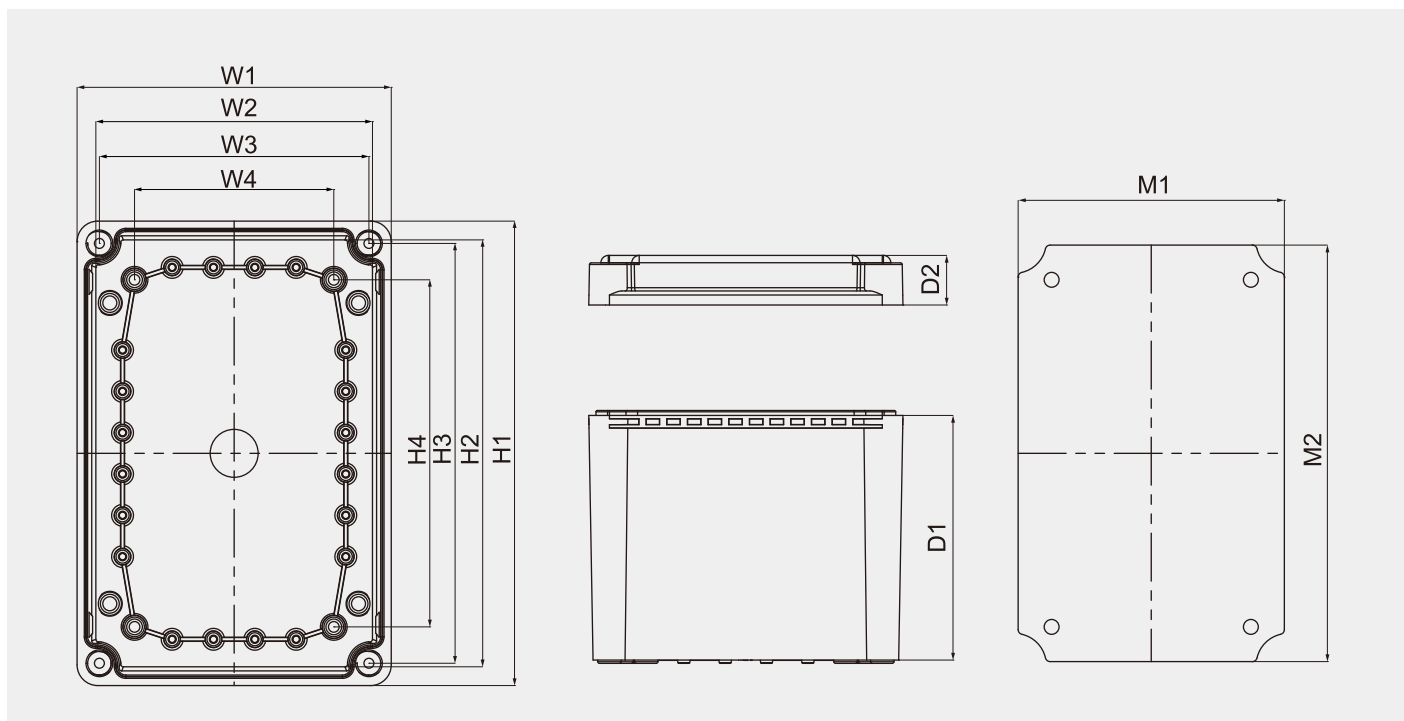


B50 / B60

■ Mounting Plates 底板



Steel (Galvanization 鍍鋅)

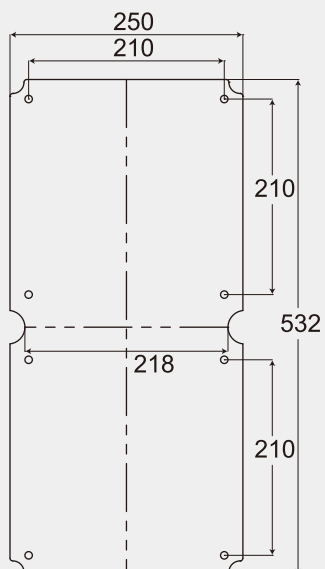


### Dimensions(mm)

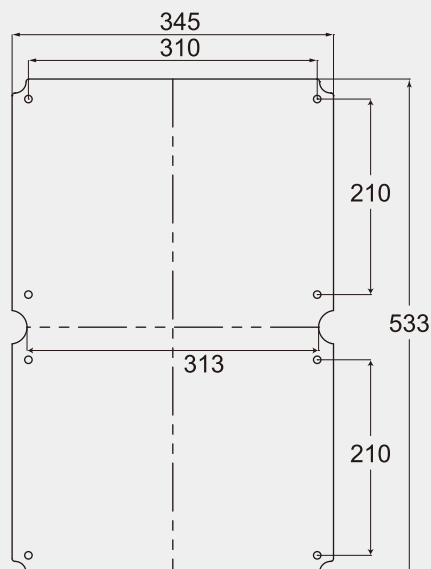
Tolerance: ±1.0mm

Model	W	x	H	x	D	W1	W2	W3	W4	H1	H2	H3	H4	D1	D2	Steel Plate	
																M1	M2
ET-□□□□-191913UL	190	190	130	190	130	190	170	165	120	190	170	165	120	98	30	161	161
ET-□□□□-192813UL	190	280	130	190	130	190	167	165	120.5	281	258	256	210	98	30	161	251.5
ET-□□□□-192818UL	190	280	180	190	180	190	165.3	165	120.5	281	256.3	256	210	148	30	161	251.5
ET-□□□□-193813UL	190	380	130	190	130	190	167.5	165	120	380	357.5	355	310	100	30	161	353.5
ET-□□□□-193818UL	190	380	180	190	180	190	165.8	165	120	380	355.8	355	310	150	30	161	353.5
ET-□□□□-282813UL	280	280	130	280	130	280	257.5	255	210	280	257.5	255	210	100	30	251	251.5
ET-□□□□-283413UL	280	340	130	280	130	280	257.5	255	210	340	317.5	315	270	100	30	251.2	312.5
ET-□□□□-283813UL	280	380	130	280	130	280	256	255	210.2	380	356	355	310	98	30	252	353.3
ET-□□□□-283818UL	280	380	180	280	180	280	254.3	255	210.2	380	354.3	355	310	148	30	252	353.3
ET-□□□□-285613UL	280	560	130	280	130	280	255.5	255	210	560	535.5	535	490	100	30	250	532
ET-□□□□-385618UL	380	560	180	380	180	380	353.8	355	310	560	533.8	535	490	150	30	345	533

Steel plate M2856



Steel plate M3856



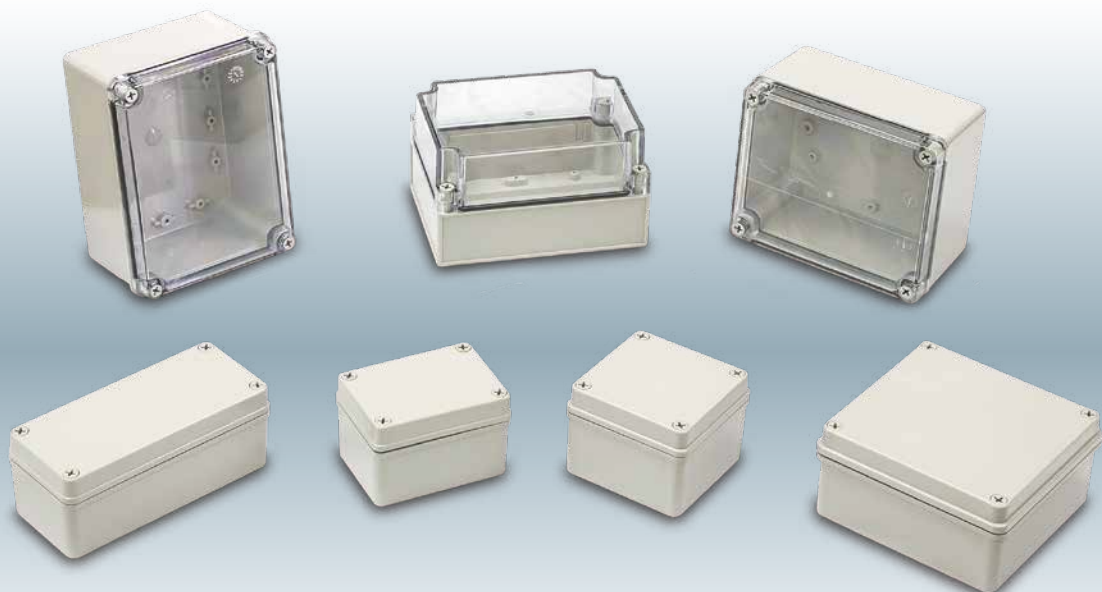


## The features of ES series

### ES系列特點

- NEMA 4X
- Metal mounting plates (steel)
- Captive cover screws
- Mounting boss screws included.
- Fix the enclosure with brackets or screws(M4 or Ø4 ; refer to p.17).

- 防護等級：NEMA 4X
- 鐵底板
- 防脫落盒蓋螺絲
- 內含底板固定螺絲
- 固定開關箱的方式可藉由螺絲(M4或Ø4)直接穿過4個塑膠螺絲孔(p.17)或運用304不鏽鋼固定架B40



## UV / Flame Resistant 耐燃/耐候開關箱

■ Optional 選配

Dimensions / 尺寸(Cover included)						PCG	PCT	Mounting bracket	Mounting plate
(mm)			(inch)			Gray cover / 灰色上蓋	Transparent cover / 透明上蓋		Steel 1.6mm (0.06")
W	x	H	x	H	x				D
65	95	55	2.56	3.74	2.17	ES-PCG-060905UL	ES-PCT-060905UL		M0609
75	105	55	2.95	4.13	2.17	ES-PCG-071005UL	ES-PCT-071005UL		M0710
80	80	60	3.15	3.15	2.36	ES-PCG-080806UL	ES-PCT-080806UL		M0808
80	110	50	3.15	4.33	1.97	ES-PCG-081105UL	ES-PCT-081105UL		M0811
80	110	70	3.15	4.33	2.76	ES-PCG-081107UL	ES-PCT-081107UL		M0811
80	110	85	3.15	4.33	3.35	ES-PCG-081108UL	ES-PCT-081108UL		M0811
80	130	70	3.15	5.12	2.76	ES-PCG-081307UL	ES-PCT-081307UL		M0813
80	130	85	3.15	5.12	3.35	ES-PCG-081308UL	ES-PCT-081308UL		M0813
80	160	55	3.15	6.30	2.17	ES-PCG-081605UL	ES-PCT-081605UL		M0816
80	160	85	3.15	6.30	3.35	ES-PCG-081608UL	ES-PCT-081608UL		M0816
80	180	70	3.15	7.09	2.76	ES-PCG-081807UL	ES-PCT-081807UL		M0818
80	180	85	3.15	7.09	3.35	ES-PCG-081808UL	ES-PCT-081808UL		M0818
80	250	70	3.15	9.84	2.76	ES-PCG-082507UL	ES-PCT-082507UL		M0825
80	250	85	3.15	9.84	3.35	ES-PCG-082508UL	ES-PCT-082508UL		M0825
100	100	75	3.94	3.94	2.95	ES-PCG-101007UL	ES-PCT-101007UL		M1010
100	100	100	3.94	3.94	3.94	ES-PCG-101010UL	ES-PCT-101010UL		M1010
100	185	70	3.94	7.28	2.76	ES-PCG-101807UL	ES-PCT-101807UL		M1018
100	200	70	3.94	7.87	2.76	ES-PCG-102007UL	ES-PCT-102007UL		M1020
100	230	70	3.94	9.06	2.76	ES-PCG-102307UL	ES-PCT-102307UL		M1023
125	125	75	4.92	4.92	2.95	ES-PCG-121207UL	ES-PCT-121207UL	B40.04	M1212
125	125	100	4.92	4.92	3.94	ES-PCG-121210UL	ES-PCT-121210UL		M1212
125	175	75	4.92	6.89	2.95	ES-PCG-121707UL	ES-PCT-121707UL		M1217
125	175	100	4.92	6.89	3.94	ES-PCG-121710UL	ES-PCT-121710UL		M1217
140	170	95	5.51	6.69	3.74	ES-PCG-141709UL	ES-PCT-141709UL		M1417
140	230	95	5.51	9.06	3.74	ES-PCG-142309UL	ES-PCT-142309UL		M1423
150	150	75	5.91	5.91	2.95	ES-PCG-151507UL	ES-PCT-151507UL		M1515
150	150	100	5.91	5.91	3.94	ES-PCG-151510UL	ES-PCT-151510UL		M1515
150	200	75	5.91	7.87	2.95	ES-PCG-152007UL	ES-PCT-152007UL		M1520
150	200	100	5.91	7.87	3.94	ES-PCG-152010UL	ES-PCT-152010UL		M1520
150	200	130	5.91	7.87	5.12	ES-PCG-152013UL	ES-PCT-152013UL		M1520
150	200	160	5.91	7.87	6.30	ES-PCG-152016UL	ES-PCT-152016UL		M1520
150	250	100	5.91	9.84	3.94	ES-PCG-152510UL	ES-PCT-152510UL		M1525
150	250	130	5.91	9.84	5.12	ES-PCG-152513UL	ES-PCT-152513UL		M1525
160	160	70	6.30	6.30	2.76	ES-PCG-161607UL	ES-PCT-161607UL		M1616
170	250	75	6.69	9.84	2.95	ES-PCG-172507UL	ES-PCT-172507UL		M1725
170	250	100	6.69	9.84	3.94	ES-PCG-172510UL	ES-PCT-172510UL		M1725
200	200	100	7.87	7.87	3.94	ES-PCG-202010UL	ES-PCT-202010UL		M2121
200	200	130	7.87	7.87	5.12	ES-PCG-202013UL	ES-PCT-202013UL		M2121
200	200	160	7.87	7.87	6.30	ES-PCG-202016UL	ES-PCT-202016UL		M2121

### Standard

■ Cover Screw 螺絲



CB20

CB35

CB50

### Optional

■ Mounting Bracket 固定架

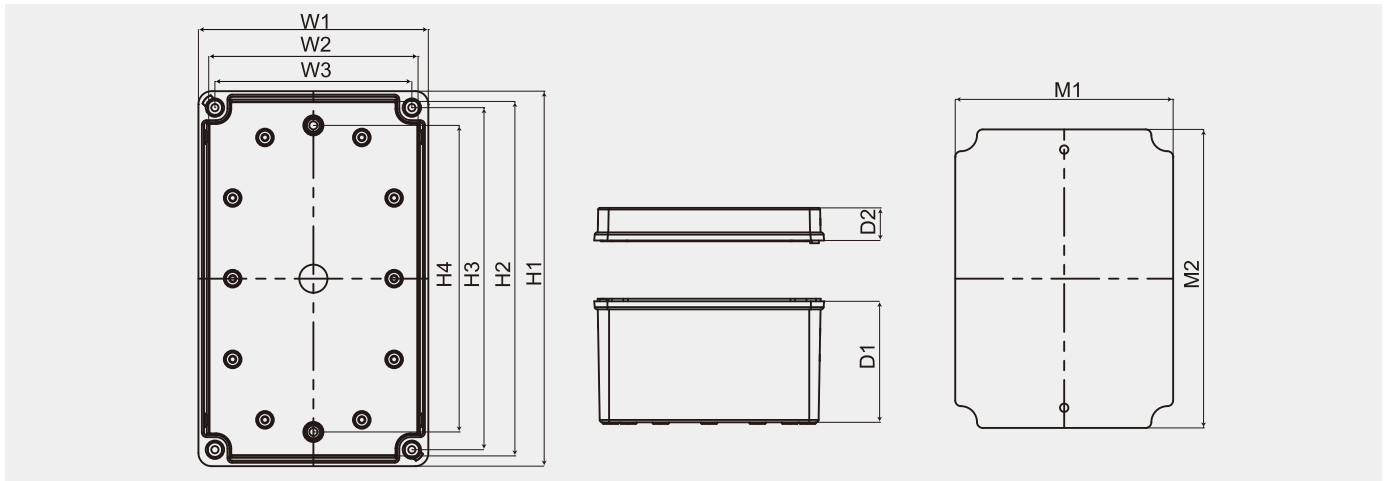


B40

■ Mounting Plates 底板



Steel (Galvanization 鍍鋅)



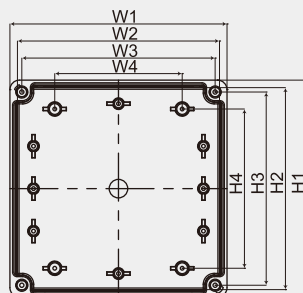
## Dimensions(mm)

Tolerance: ±1.0mm

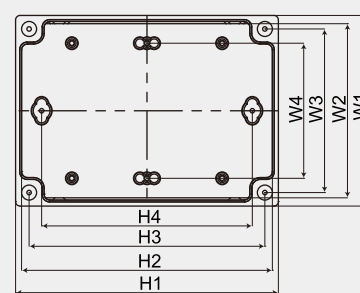
Model	W	x	H	x	D	W1	W2	W3	W4	H1	H2	H3	H4	D1	D2	Steel Plate	
																M1	M2
ES-□□□-060905UL	65		95		55	67.5	57.5	47		97.5	87.5	77	65	40	15.2	54	84
ES-□□□-071005UL	75		105		55	77.5	67.5	57		107.5	97.5	87	75	40	15.2	66	93
ES-□□□-080806UL	80		80		60	82.5	72.3	62		82.5	72.3	62	50	45	15.2	68	68
ES-□□□-081105UL	80		110		50	80.3	70.4	62		110.7	100.8	92	80	30	20	68.5	98.5
ES-□□□-081107UL	80		110		70	80.2	67.7	62		110.7	99.9	92	80	50	20	68.5	98.5
ES-□□□-081108UL	80		110		85	80.2	67.7	62		110.7	99.9	92	80	50	35	68.5	98.5
ES-□□□-081307UL	80		130		70	80.3	67.8	62.8		130.5	119.5	113	99.7	50	20	65	116
ES-□□□-081308UL	80		130		85	80.3	67.8	62.8		130.5	119.5	113	99.7	50	35	65	116
ES-□□□-081605UL	80		160		55	84.4	73.9	68		164.2	153.7	148	137	40	15.2	64.9	150.2
ES-□□□-081608UL	80		160		85	84.4	72.9	68		164.2	152.7	148	137	70	15.2	64.9	150.2
ES-□□□-081807UL	80		180		70	80.3	70.2	62		180	169.9	161.7	148	50	20	65.8	165.8
ES-□□□-081808UL	80		180		85	80.3	70.2	62		180	169.9	161.7	148	50	35	65.8	165.8
ES-□□□-082507UL	80		250		70	80	69.7	62		250	239.7	232	218	50	20	65	234.5
ES-□□□-082508UL	80		250		85	80	69.7	62		250	239.7	232	218	50	35	65	234.5
ES-□□□-101007UL	100		100		75	102.5	92.4	82		102.5	92.4	82	60	55	20	81.7	81.3
ES-□□□-101010UL	100		100		100	102.5	91.5	82		102.5	91.5	82	60	80	20	81.7	81.3
ES-□□□-101807UL	100		185		70	100	91.9	82		185	176.9	167	138	54	16	79.5	164
ES-□□□-102007UL	100		200		70	102.5	92	82		202.5	192	182	158	55	15.2	80	183
ES-□□□-102307UL	100		230		70	100	89.2	82		230	219.2	212	184	54	15.4	80	210
ES-□□□-121207UL	125		125		75	125.2	113.7	105		125.2	113.7	105	70	55	20	101.7	101.4
ES-□□□-121210UL	125		125		100	125.2	112.3	105		125.2	112.3	105	70	80	20	101.7	101.4
ES-□□□-121707UL	125		175		75	127	116	109	90	175	167	157	140.3	49	25	100.9	157.6
ES-□□□-121710UL	125		175		100	127	116	109	90	175	167	157	140.3	49	50	100.9	157.6
ES-□□□-141709UL	140		170		95	143	131.1	122		173	161.1	152	131.3	75	20	125.5	155.5
ES-□□□-142309UL	140		230		95	142.4	129.7	122		232.4	219.7	212	190	75	20.2	121.8	212.7
ES-□□□-151507UL	150		150		75	154.4	141.2	132		154.4	141.2	132	110	55	20.2	124.9	124.2
ES-□□□-151510UL	150		150		100	154.4	140.8	132		154.4	140.8	132	110	80	20.2	124.9	124.2
ES-□□□-152007UL	150		200		75	154.4	141.2	132		204.4	191.2	182	160	55	20.2	136	183
ES-□□□-152010UL	150		200		100	154.4	140.8	132		204.4	190.8	182	160	80	20.2	136	183
ES-□□□-152013UL	150		200		130	154.4	140.3	132		204.4	190.3	182	160	110	20.2	136	183
ES-□□□-152016UL	150		200		160	154.4	140.3	132		204.4	190.3	182	160	110	50.2	136	183
ES-□□□-152510UL	150		250		100	150	139.8	131.9		250	239.8	231.9	208	80	20	134	234
ES-□□□-152513UL	150		250		130	150	139.8	131.9		250	239.8	231.9	208	80	50	134	234
ES-□□□-161607UL	160		160		70	162.5	152	142		162.5	152	142	120	55	15.2	145	145
ES-□□□-172507UL	175		250		75	175	167	157	139.8	250	242	231	214.7	49	25.4	160	235
ES-□□□-172510UL	175		250		100	175	167	157	139.8	250	242	231	214.7	49	50.7	160	235
ES-□□□-202010UL	200		200		100	204.4	190.8	182	120	204.4	190.8	182	150	80	20.2	179	179
ES-□□□-202013UL	200		200		130	204.4	190.3	182	120	204.4	190.3	182	150	110	20.2	179	179
ES-□□□-202016UL	200		200		160	204.4	190.3	182	120	204.4	190.3	182	150	110	50.2	179	179



## ES-202010~ES-202016



## ES-1217 & ES-1725



## The features of MP series

### MP系列特點

- NEMA 4X
- Metal mounting plates (steel)
- There are 2 types of cam locks, PBL and PKL.
- There are opaque and transparent covers.
- It's easy to fix enclosures with brackets of stainless 304.
- **We provide enclosures for special environments, such as coast, sea, beach or water treatment on request.**

- 防水等級：NEMA 4X
- 鐵底板
- 開關箱鎖頭可以使用2種鎖頭，PBL和 PKL
- 開關箱的門分透明跟不透明
- 不鏽鋼材質304的固定架可讓開關箱容易固定與安裝
- **如您有需求，我們可提供適用於特殊環境之開關箱，例如：臨近海邊、海灘、海上（太陽能）、船上或水處理場所**



## UV / Flame Resistant 耐燃/耐候開關箱

### Optional選配

Dimensions / 尺寸(Cover included)						PCG Gray cover / 灰色上蓋	PCT Transparent cover / 透明上蓋	Mounting bracket	Mounting plate	
(mm)			(inch)						Steel 1.6mm (0.06")	
H	x	W	x	D	H					x
310	210	150	12.20	8.27	5.91	MP3215PCGUL	MP3215PCTUL	B60.07	M2030	
426	326	200	16.77	12.83	7.87	MP4320PCGUL	MP4320PCTUL		M3040	
426	426	200	16.77	16.77	7.87	MP4420PCGUL	MP4420PCTUL		M4040	
514	414	200	20.24	16.30	7.87	MP5420PCGUL	MP5420PCTUL		M4050	

### Standard

#### Lock 鎖



PBL-L

PBL-R

#### Mounting Bracket 固定架



B60

### Optional

#### Key Lock 鑰匙鎖



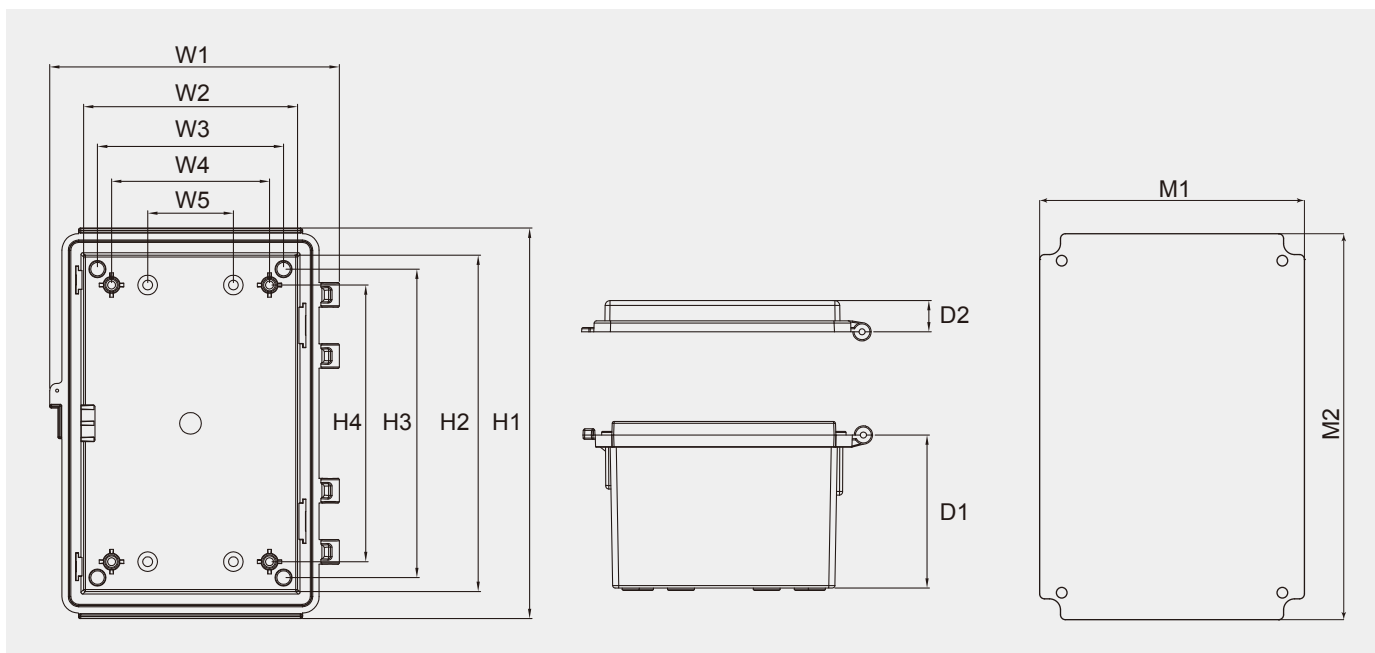
PKL

#### Mounting Plates 底板



Steel (Galvanization鍍鋅)

Part No. 料號	Position of door locks 門鎖位置	Type / 種類	Door opening direction 開門方向
		Locking System 門鎖系統	
PBL-L	Left / 左	DoubleBit / 標準型	Right / 由左向右
PBL-R	Right / 右		Left / 由右向左
PKL	-	Manual with key lock / 鑰匙型	-



### Dimensions(mm)

Tolerance: ±1.0mm

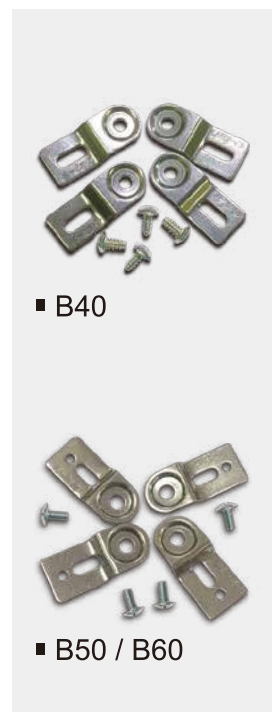
Model	H	x	W	x	D	W1	W2	W3	W4	H5	H1	H2	H3	H4	D1	D2	Steel Plate	
																	M1	M2
MP3215□□□UL	310	210	150	236.5	174.7	152	129	70	319	274.7	252	226	125	25.2	166.5	266		
MP4320□□□UL	426	326	200	352.5	288.4	264	227	170	435	388.4	364	322	175	25.5	265.2	362.3		
MP4420□□□UL	426	426	200	452.5	388.4	364	327	250	435	388.4	364	327	175	25.5	368	368		
MP5420□□□UL	514	414	200	440.5	376.4	354	328	523	476.4	454	428	175	25.5	362.5	463			





## ACCESSORIES

Mounting bracket for 固定架適用於	Part No. 型號	Description 描述	Packing 包
EN-101507 ~ 172711, EN-212110 ~ 212113	B40.03	B40 x 4 pcs 螺絲 Screw SUS MT4-10T x 4 pcs	1
EN-192810 ~ 353518	B50.03	B50 x 4 pcs 螺絲 Screw SUS M5-10 x 4 pcs	1
EN-354512 ~ 406023	B60.07	B60 x 4 pcs 螺絲 Screw SUS M5-10 x 4 pcs	1
EN-506018 ~ 507025	B60.08	B60 x 6 pcs 螺絲 Screw SUS M5-10 x 6 pcs	1
ES Series	B40.04	B40 x 4 pcs 螺絲 Screw SUS MT5-10T x 4 pcs	1



### Cover screw

Part No.	Description	Packing
CB20	For the 20 mm-height covers in ES series	4
CB35	For the 35 mm-height covers in ES series	4
CB50	For the 50 mm-height covers in ES series	4
CB28	For the covers ET-1919 ~ ET-2838	4
	For the covers ET-2856 ~ ET-3856	6



■ CB20

■ CB35

■ CB50

■ CB28

### Din-rail screw

Part No.	Description	Packing
MT4-10T	ES series , EN-1015 ~ 1928, EN-2121	20 PCS
MT5-10T	EN-2030 ~ 5070, ET-1919 ~ 3856	20 PCS



# Caution



Driving the cover screws  
鎖盒蓋螺絲注意事項

Do not drive the cover screws with the torque over 15 kgf·cm  
請勿使用15 kgf·cm以上的扭力鎖盒蓋螺絲

Mounting holes  
ES series : M4  
ET series : M5



Foolproof  
防呆



Cleaning with water only  
僅能使用水清潔



Front / 正面



Rear / 背面



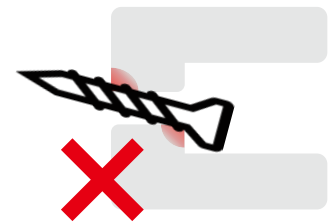
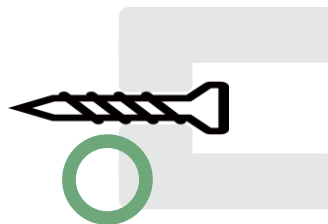
Foolproof  
防呆



Wall mounting  
固定盒體注意事項



1. No Tapping  
嚴禁在箱體的  
固定孔上攻牙



2. Make sure screws go straight through  
the mounting holes  
確保螺絲直直地穿過箱體固定孔，避免應力產生